
FISHERIES

FI301*

Fish Resources Management Act 1994

**Fish Resources Management Amendment
Regulations (No. 6) 2010**

Made by the Governor in Executive Council.

1. Citation

These regulations are the *Fish Resources Management Amendment Regulations (No. 6) 2010*.

2. Commencement

These regulations come into operation as follows —

- (a) regulations 1 and 2 — on the day on which these regulations are published in the *Gazette*;
- (b) the rest of the regulations — on the day after that day.

3. Regulations amended

These regulations amend the *Fish Resources Management Regulations 1995*.

4. Regulations 33 and 34 deleted

Delete regulations 33 and 34.

5. Regulation 156 amended

In regulation 156 in the Table delete “33, 34,”.

6. Regulation 158 amended

In regulation 158 in the Table under the heading “**Provisions of these regulations**” delete “33, 34,”.

7. Schedule 1 amended

In Schedule 1 Part 3 item 3(32) delete “112.00” and insert:

181.00

8. Schedule 12 amended

In Schedule 12 Part 2 item 4 delete “33, 34.”.

9. Schedule 13 Part 2 amended

- (1) Delete Schedule 13 clause 2A.
- (2) Delete Schedule 13 clause 3(2)(a) and “and” after it and insert:
 - (a) is to have inserted in it a device or devices to create 3 escape gaps that are as nearly as practicable rectangular in shape and when measured internally each is to measure not less than 305 millimetres in length and not less than 55 millimetres in height (see Diagram 1(a) in the Table); and
- (3) Delete Schedule 13 clause 4(2) and insert:
 - (2) Subject to this clause, every batten rock lobster pot is to have inserted in it a device or devices to create a minimum of 3 escape gaps that are as nearly as practicable rectangular in shape, and when measured internally each measures not less than 305 millimetres in length and not less than 55 millimetres in height.
- (4) In Schedule 13 clause 4(4)(a) delete “Diagram 3” and insert:

Diagram 3(a)
- (5) Delete Schedule 13 clause 5(2) and insert:
 - (2) A rock lobster pot is to have inserted in it a device or devices to create a minimum of 3 escape gaps that are as nearly as practicable rectangular in shape and when measured internally each is to measure not less than 305 millimetres in length and not less than 55 millimetres in height.

10. Schedule 13 Part 3 amended

- (1) In Schedule 13 clause 9(2)(a) delete “Diagram 1” and insert:

Diagram 1(b)
- (2) In Schedule 13 clause 10(3)(a) delete “Diagram 3” and insert:

Diagram 3(b)

(3) In Schedule 13 in the Table delete Diagrams 1 to 7 and insert:

Diagram 1(a) — Beehive Pots
(Clause 3(2)(a))

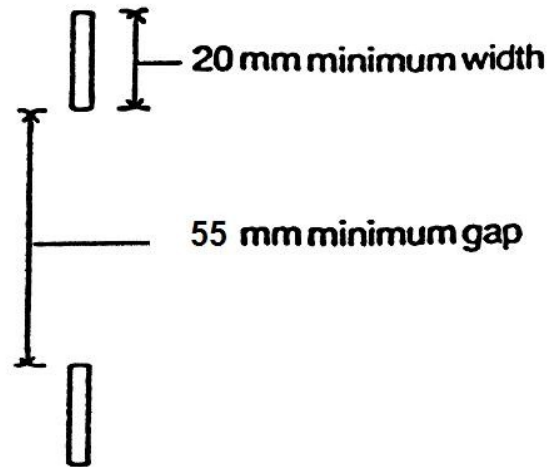


Diagram 1(b) — Beehive Pots
(Clause 9(2)(a))

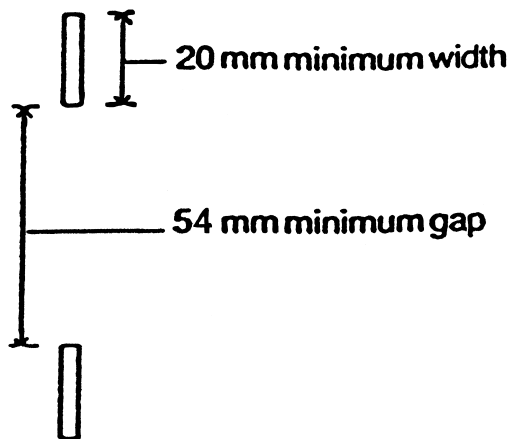


Diagram 2(a) — Beehive Pots
(Clause 3(3)(a))

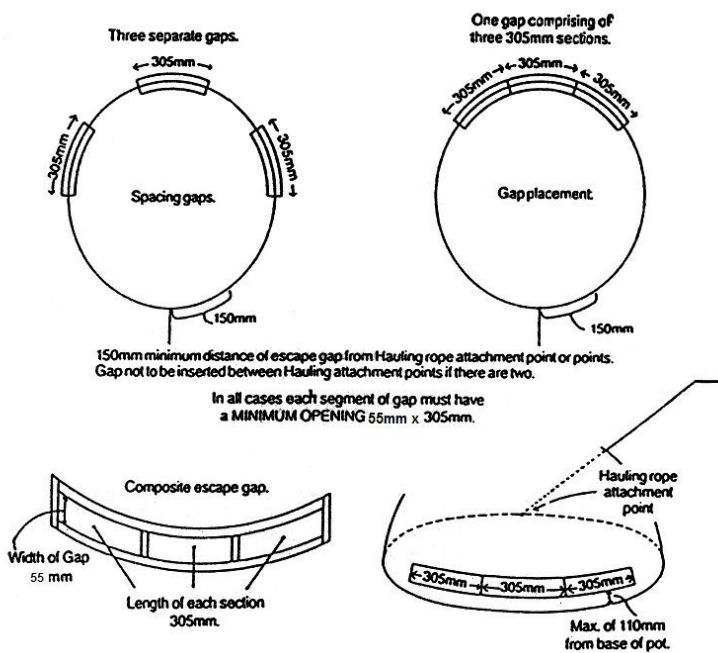


Diagram 2(b) — Beehive Pots
(Clause 9(3)(a))

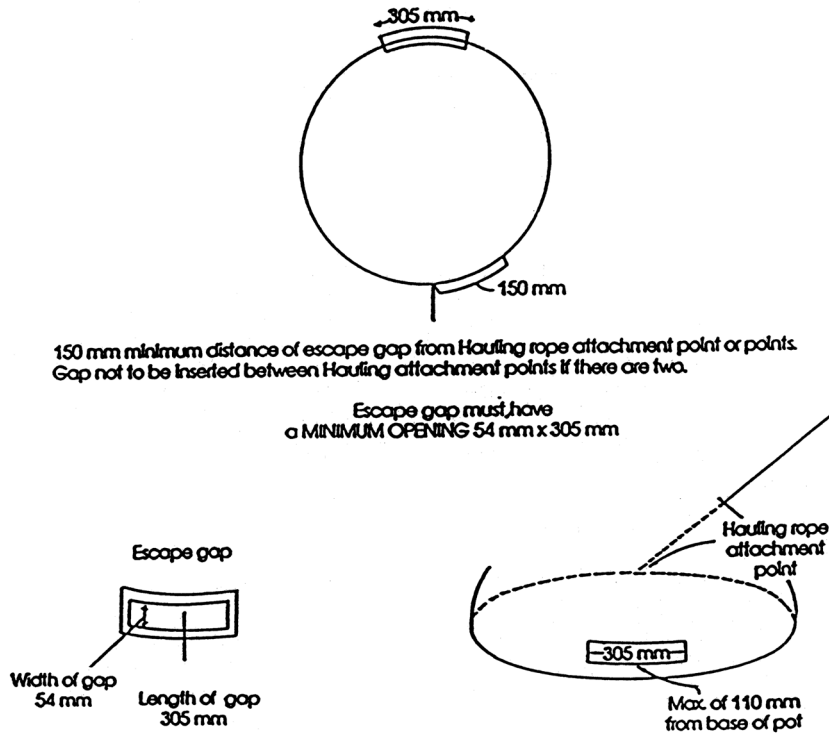
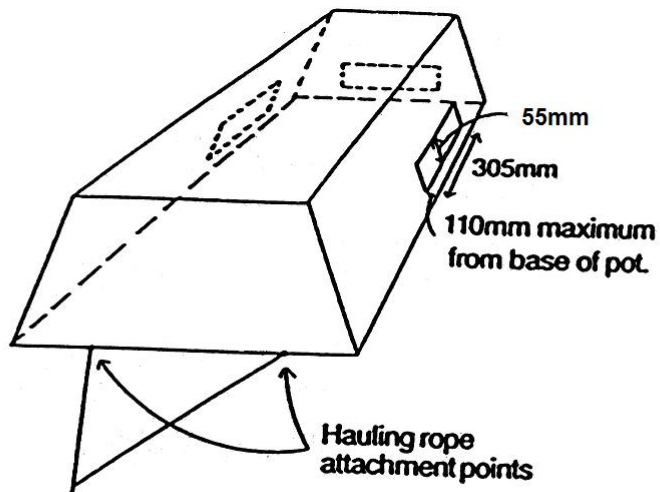
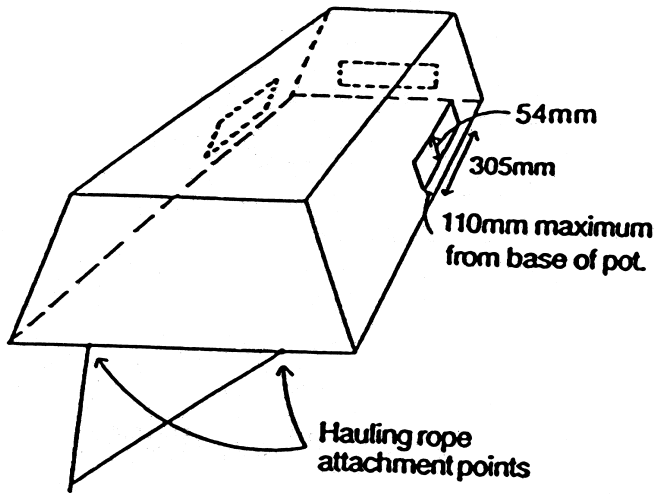


Diagram 3(a) — Batten Pots
(Clause 4(4)(a))



positioning of escape gap(s)

Diagram 3(b) — Batten Pots
(Clause 10(3)(a))



positioning of escape gap(s)

Diagram 4 — Batten Pots
(Clause 4(7)(a))
(Steel flat - bar)

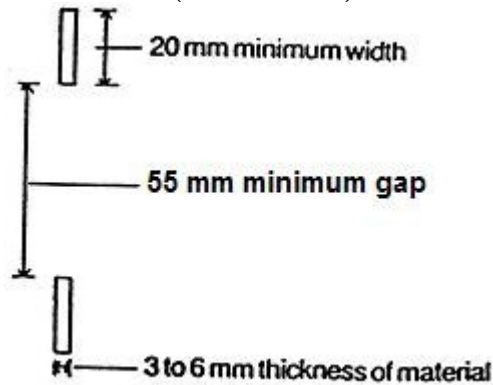


Diagram 5 — Batten Pots
(Clause 4(7)(b))
(Aluminium)

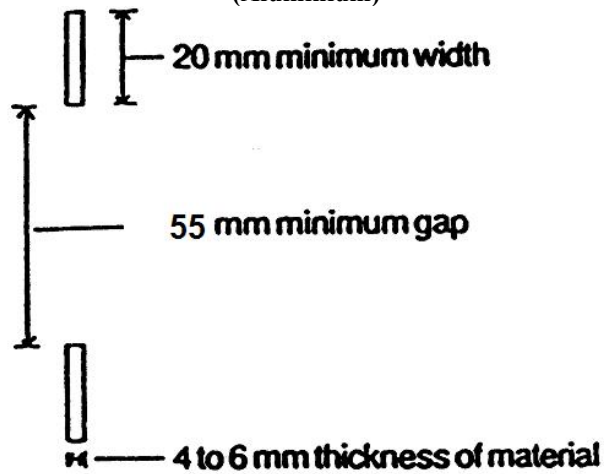


Diagram 6 — Batten Pots
(Clause 4(7)(c))
(Fibreglass)

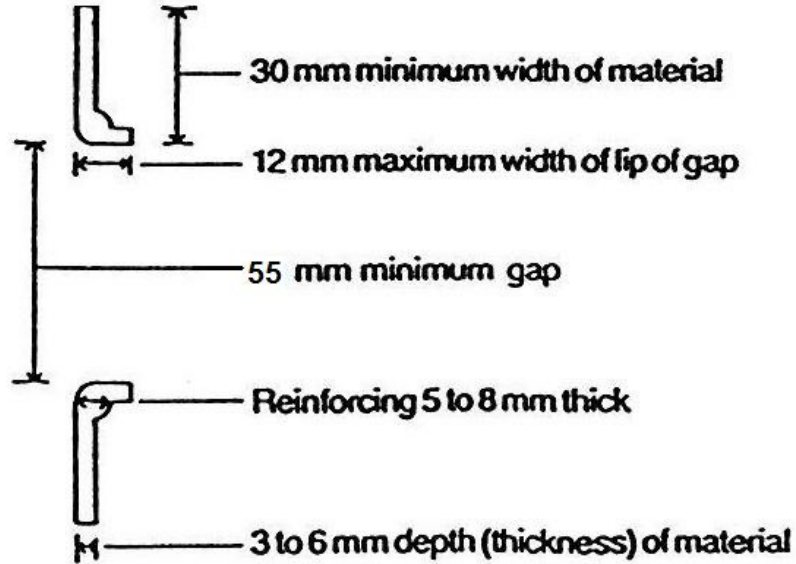
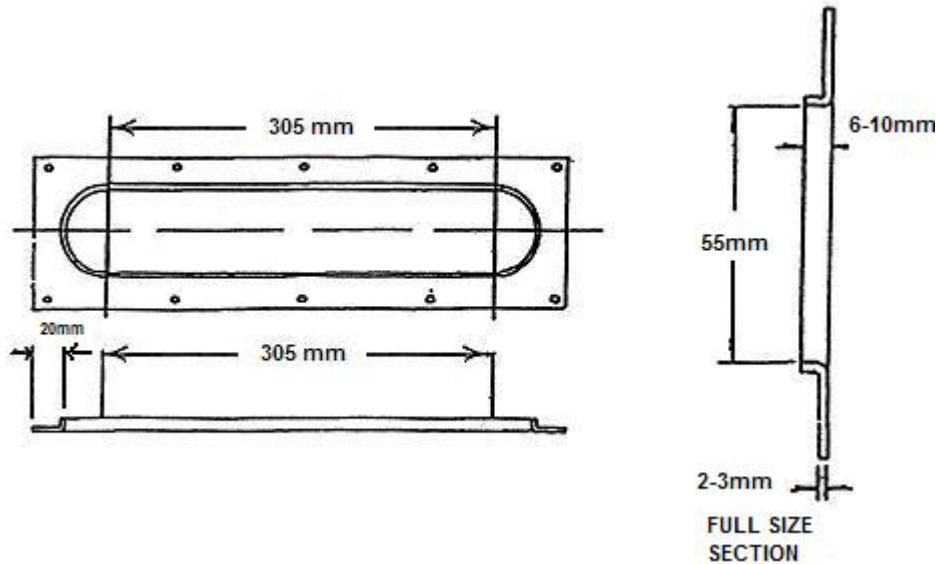


Diagram 7 — Batten Pots
(Clause 4(7)(d))
(Steel or aluminium with internal lip)



By Command of the Governor,

PETER CONRAN, Clerk of the Executive Council.