

# WESTERN AUSTRALIAN GOVERNMENT Gazette



PERTH, FRIDAY, 20 NOVEMBER 1998 No. 230

PUBLISHED BY AUTHORITY JOHN A. STRIJK, GOVERNMENT PRINTER AT 3.30 PM

## PUBLISHING DETAILS

The Western Australian *Government Gazette* is published by State Law Publisher for the State of Western Australia on Tuesday and Friday of each week unless disrupted by Public Holidays or unforeseen circumstances (changes to this arrangement will be advertised beforehand on the inside cover).

Special *Government Gazettes* containing notices of an urgent or particular nature are published periodically.

The following guidelines should be followed to ensure publication in the *Government Gazette*.

- Material submitted to the Executive Council prior to gazettal will require a copy of the signed Executive Council Minute Paper and in some cases the Parliamentary Counsel's Certificate.
- Copy should be received by the Manager (Sales and Editorial), State Law Publisher no later than 12 noon on Wednesday (Friday edition) or 12 noon on Friday (Tuesday edition).

Postal address:

State Law Publisher  
P.O. Box 8448,  
Perth Business Centre 6849

Delivery address:

State Law Publisher  
Ground Floor,  
10 William St. Perth, 6000  
Telephone: 9321 7688 Fax: 9321 7536

- Lengthy or complicated notices should be forwarded early to allow for preparation. Failure to observe this request could result in the notice being held over.
- Proofs will be supplied only on request.
- No additions or amendments to material will be accepted by telephone.

## ADVERTISERS SHOULD NOTE:

- All Notices should be written in 'plain English'.
- Signatures (in particular) and proper names must be legible.
- All copy should be typed and double spaced.
- If it is necessary through isolation or urgency to fax copy, confirmation is not required by post. *If original copy is forwarded later and published, the cost will be borne by the advertiser.*
- Documents not prepared clearly or in the required format for gazettal, will be returned to the sender unpublished.
- Copy received after the deadline will be placed in the following edition irrespective of any date/s mentioned in the copy.

## IMPORTANT COPYRIGHT NOTICE

© State of Western Australia

This work is copyright. Apart from any use as permitted under the *Copyright Act 1968*, no part may be reproduced by any process without written permission from the Government Printer, State Law Publisher. Inquiries should be directed to the Manager Sales & Editorial, State Law Publisher, 10 William St, Perth 6000.

## ADVERTISING RATES AND PAYMENTS

EFFECTIVE FROM 1 JULY 1998.

Deceased Estate notices, (per estate)—\$17.70

Real Estate and Business Agents and Finance Brokers Licences, (per notice)—\$41.30

Other articles in Public Notices Section—\$41.30 (except items of an exceptionally large nature. In these instances arrangements will be made for pricing the notice at time of lodging).

All other Notices

Per Column Centimetre—\$8.15

Bulk Notices—\$153.00 per page

Clients who have an account will be invoiced for advertising charges.

Clients without an account will need to pay at time of lodging the notice.

## COUNTER SALES 1998-99

(As from 1 July 1998)

|                                    | \$     |
|------------------------------------|--------|
| Government Gazette—(General) ..... | 2.50   |
| Government Gazette—(Special)       |        |
| Up to 2 pages .....                | 2.50   |
| Over 2 pages .....                 | 5.00   |
| Hansard .....                      | 14.40  |
| Industrial Gazette .....           | 12.80  |
| Bound Volumes of Statutes .....    | 223.00 |

## IMPORTANT NOTICE

Periodically notices are published indicating a variation in normal publishing arrangements:

- Easter or Christmas editions etc—these notices appear approximately 4 weeks prior to any change.
- Extraordinary gazettes not circulated to all subscribers—these notices appear in the following general edition of the gazette.

In all cases notices are published on page 2 and readers are urged to check accordingly prior to contacting State Law Publisher.

JOHN A. STRIJK,  
Government Printer.

---



---

**AGRICULTURE**


---



---

AG301\*

Bulk Handling Act 1967

## Bulk Handling (Foundation Toll and Port Equipment Toll) Order 1998

Made by the deputy of the Governor in Executive Council under sections 31 and 32 of the Act.

**1. Citation**

This order may be cited as the *Bulk Handling (Foundation Toll and Port Equipment Toll) Order 1998*.

**2. Revocation of previous order**

The *Bulk Handling (Foundation Toll and Port Equipment Toll) Order 1994*, made under sections 31 and 32 of the Act and published in the *Gazette* of 20 January 1995 at page 205, is revoked.

**3. Fixing of tolls**

The amount to be paid as the foundation toll, and as the port equipment toll, in relation to each type of grain or seed specified in column 1 of the Table is the amount specified opposite and corresponding to that grain or seed —

- (a) in the case of the foundation toll—in column 2; and
- (b) in the case of the port equipment toll—in column 3.

TABLE

| Column 1      | Column 2                            | Column 3                                |
|---------------|-------------------------------------|---|
| Grain or seed | Foundation Toll<br><i>per tonne</i> | Port Equipment Toll<br><i>per tonne</i> |
| Wheat         | \$0.34                              | \$0.16                                  |
| Lupins        | \$0.34                              | \$0.16                                  |
| Field Peas    | \$0.34                              | \$0.16                                  |
| Chick Peas    | \$0.34                              | \$0.16                                  |
| Faba Beans    | \$0.34                              | \$0.16                                  |
| Barley        | \$0.40                              | \$0.19                                  |
| Canola        | \$0.40                              | \$0.19                                  |
| Linseed       | \$0.40                              | \$0.19                                  |
| Triticale     | \$0.40                              | \$0.19                                  |
| Cereal Rye    | \$0.40                              | \$0.19                                  |
| Oats          | \$0.50                              | \$0.25                                  |

By Command of the deputy of the Governor,

ROD SPENCER, Clerk of the Executive Council.

**AG401****SOIL AND LAND CONSERVATION ACT 1945**  
LANDCARE TRUSTAgriculture Western Australia,  
South Perth, WA 6151.

I, the undersigned Minister for Primary Industry; Fisheries being the Minister charged with the administration of the Soil and Land Conservation Act 1945 appoint, pursuant to Section 41 of the said Act, the following to the Landcare Trust for terms of office, as specified—

| Name                  | Position        | Term of office expiring |
|-----------------------|-----------------|-------------------------|
| George Rex Edmondson  | Chairman        | 28 October 2001         |
| Margaret Joyce Scott  | Deputy Chairman | 28 October 2001         |
| James Montgomery Lutz | Member          | 28 October 2001         |
| John Steven Collett   | Member          | 28 October 2001         |

MONTY HOUSE, Minister for Primary Industry; Fisheries.

**AG402****EXOTIC DISEASES OF ANIMALS ACT 1993**  
IMPORT RESTRICTION ORDER

Made by the Minister for Primary Industry under Section 24 of the Exotic Diseases of Animals Act 1993.

Virulent Newcastle Disease has been diagnosed in the State of New South Wales.

For the purpose of this Act, the following conditions/prohibitions apply to importations into Western Australia of—

|                          |   |
|--------------------------|---|
| Species of animals:      | Avian   |
| Animal Products:         | All Avian   |
| Conditions/prohibitions: | Except as approved by the Chief Veterinary Officer, as person must not move any avian animal or any avian animal product into Western Australia, from an area of the State of New South Wales declared under a law of that State to be a Restricted Area or a Control Area for the purpose of controlling Virulent Newcastle Disease. |

Unless sooner revoked, this order applies for a period of thirty (30) days commencing on 22 November 1998.

MONTY HOUSE, Minister for Primary Industry.

---



---

**ELECTORAL COMMISSION**


---



---

**EL301\***

Electoral Act 1907

**Electoral Amendment Regulations 1998**

Made by the Governor in Executive Council.

**1. Citation**

These regulations may be cited as the *Electoral Amendment Regulations 1998*.

**2. Commencement**

These regulations come into operation on 1 December 1998 or the day on which they are published in the *Gazette*, whichever is later.

**3. Schedule 3 amended**

Schedule 3 to the *Electoral Regulations 1996\** is amended in Form 25 by inserting after “bank” —

“ or other financial institution ”.

[\* *Published in Gazette 10 October 1996, pp. 5321-92.*  
*For amendments to 30 September 1998 see 1997 Index to Legislation of Western Australia, Table 4, p. 62.*]

By Command of the Governor,

ROD SPENCER, Clerk of the Executive Council.

---

---

**FAMILY AND CHILDREN'S SERVICES**

---

---

**FA401****ADOPTION ACT 1994****CONTACT AND MEDIATION AGENCY**

I, Rhonda Parker, Minister for Family and Children's Services issue the following persons with a licence to act as a Contact and Mediation Agency under Sections 105 and 106 of the Adoption Act 1994 and subject to the Adoption Regulations and Code of Practice 1995—

Stephanie Mary Dowse  
3 Northmore Street  
Dalglish WA 6008

Dawn Georgina May Mielens  
13d Shalford Way  
Girrawheen WA 6064

Susan Elizabeth Von Leonhardi  
47/277 South Terrace  
South Fremantle WA 6162

Dated this 31st day of August 1998.

RHONDA PARKER, Minister for Family and  
Children's Services.

---

---

**HEALTH**

---

---

**HE401****CREMATION ACT 1929**

Health Department of WA,  
Perth, 12 November 1998.

6752/97, ExCo No. 0927,

His Excellency the Governor in Executive Council has appointed under the provisions of Section 8 (1) (a) of the Cremation Act 1929, the following doctors as medical referees—

Dr Andrew T. Forward  
Dr Felix V. McKnight  
Dr Gordon Milne

PAUL PSAILA-SAVONA, Executive Director, Public Health.

**HE402\*****HOSPITAL AND HEALTH SERVICES ACT 1927****HOSPITALS AND HEALTH SERVICES (VASSE LEEUWIN HEALTH BOARD) BY-LAWS 1998**

Made by the Vasse Leeuwin Health Board under section 22 of the Act.

**1. Citation**

These by-laws may be cited as the *Hospitals and Health Services (Vasse Leeuwin Health Board) By-Laws 1998*.

**2. Interpretation**

In these by-laws—

“**Board**” means the hospital board assigned the corporate name “Vasse Leeuwin Health Board” under clause 4 of the *Hospitals and Health Services (Re-organisation of Hospital Boards) Notice 1998*.

**3. Local management committees to be established**

The Board is to establish a local management committee for each public hospital under the control of the Board.

**4. Constitution of local management committees**

(1) A local management committee is to consist of no less than 3 persons or more than 9 persons appointed under sub-by-law (2).

(2) At least—

- (a) 2 persons are to be appointed by the Board from its members; and
- (b) one person is to be appointed by the Board from persons nominated to the Board in accordance with procedures determined by the Board and approved by the Minister.

**5. Chairperson**

The members of a local management committee are to elect one of them who was appointed under by-law 4 (2) (a) to be the chairperson of the committee.

**6. Constitutional provisions**

(1) Subject to sub-by-law (2), schedule 1 to the Act has effect in relation to the constitutional provisions that apply to a local management committee.

(2) For the purposes of sub-by-law (1)—

- (a) a reference in Schedule 1 to the Act—
  - (i) to the Governor or the Minister is to be taken to be a reference to the Board; or
  - (ii) to the Chairman is to be taken to be a reference to the chairperson.
- (b) clauses 3 and 12 of that Schedule do not apply; and
- (c) the reference in clause 14 of that Schedule to “this Act” is to be taken to be a reference to “any directions given by the Board”.

**7. Functions of local management committees**

The functions of a local management committee established for a public hospital are—

- (a) to supervise, and provide advice and recommendations to the Board in relation to, the management of the public hospital;
- (b) in association with the Board, to select the person to be employed by the public hospital as its senior employee;
- (c) to manage, and provide advice and recommendations to the Board in relation to the management of the funds available to the Board for distribution to the public hospital
- (d) to participate in business and strategic planning processes in relation to the public hospital;
- (e) to supervise, and provide advice and recommendations to the Board in relation to, contracts or arrangements entered into for the purposes of services provided by the public hospital; and
- (f) to perform any other functions as directed by the Board.

**8. Board may give directions to local management committees**

The Board may give directions to a local management committee in relation to the performance of the committee's functions, and the committee is to comply with any direction so given.

---

Passed by a resolution of the Vasse Leeuwin Health Board at its meeting held on 9th day of November 1998.

The common seal of the Vasse Leeuwin Health Board as at the time of the above mentioned resolution affixed by order and in the presence of—

JOHN EDWARDS, Chairperson.  
BEVAN BYRNE, Member.

---

---

**JUSTICE**

---

---

**JM401****DECLARATIONS AND ATTESTATIONS ACT 1913**

It is hereby notified for public information that the Hon Attorney General has approved the appointment of the following person as a Commissioner for Declarations under the Declarations and Attestations Act 1913—

Mr Glenn Robert Watson of Lot 2 Elizabeth Avenue, Mundaring.

RICHARD FOSTER, Executive Director,  
Court Services.

---

**JM402****JUSTICES ACT 1902**

It is hereby notified for public information that His Excellency the Governor in Executive Council has approved of the appointment of—

Mrs Stephanie Carol D'Orazio of 17 Philmore Crescent, Kardinya.  
to the office of Justice of the Peace for the State of Western Australia.

RICHARD FOSTER, Executive Director,  
Court Services.

---

---

**LAND ADMINISTRATION**

---

---

**LA301\***

Land Administration Act 1997

## **Land Administration Amendment Regulations 1998**

Made by the deputy of the Governor in Executive Council.

**1. Citation**

These regulations may be cited as the *Land Administration Amendment Regulations 1998*.

**2. The regulations amended**

The amendments in these regulations are to the *Land Administration Regulations 1998\**.

[\* *Published in 27 March 1998, pp. ]*

**3. Regulation 3A inserted**

After regulation 3 the following regulation is inserted —

“

**3A. Classes of prescribed persons to whom Minister may delegate powers under section 18**

- (1) Persons of the classes described in subregulation (2) are prescribed for the purposes of section 9(1)(c) of the Act when the power to be delegated is —
  - (a) a power of the Minister to give approval under section 18 of the Act to a proposed transaction involving Crown land; or
  - (b) a power of the Minister to make a requirement under section 18(5) of the Act in connection with the proposed transaction.
- (2) The classes of persons are —
  - (a) Ministers of the Crown responsible for Crown land transactions;
  - (b) persons responsible for Crown land transactions for which no Minister of the Crown is responsible;
  - (c) Ministers of the Crown responsible for a person described in paragraph (b); and
  - (d) officers for whom —
    - (i) a Minister described in paragraph (a); or
    - (ii) a person described in paragraph (b), is responsible.
- (3) In subregulation (2) —

“**Crown land transaction**” means a transaction to which section 18 of the Act applies.

”.

By Command of the deputy of the Governor,

ROD SPENCER, Clerk of the Executive Council.

---

---

**LOCAL GOVERNMENT**

---

---

LG301\*

**LOCAL GOVERNMENT ACT 1995**  
**PUBLIC PROPERTY LOCAL LAW**  
**NO. 2 OF 1998**

In pursuance of the powers conferred by the Local Government Act 1995 and all other powers enabling it the Council of the City of South Perth hereby records having resolved on 28 October, 1998 to make the following Local Law.

**PART 1—PRELIMINARY**

**Short Title**

1. This Local Law may be cited as the *Public Property Local Law 1998*.



**Commencement**

2. This Local Law comes into operation 14 days after the date of its publication in the *Government Gazette*.

**Content and Intent**

3. This Local Law provides for the good order and management of public property in the district and for the safety and enjoyment of public property by the public.

**Previous Local Laws**

4. The Local Laws in respect of Public Reserves, published in the *Government Gazette* on 23 December 1983 are hereby repealed.

**Definitions and Interpretation****5.1 Definitions**

In this local law unless the context otherwise requires—

“Act” means the *Local Government Act 1995*;

“authorised person” means a person authorised by the City under section 9.10 of the Act for the purposes of these local laws;

“boat” means any structure or vessel made or used to travel or float upon water or travel under water;

“building” includes hall room, or a corridor, stairway or annexe of any hall or room and a jetty owned by vested in or under the care control or management of the City;

“CEO” means the Chief Executive of the City and in the absence of the Chief Executive, the Acting Chief Executive;

“City” means the City of South Perth;

“Council” means the Council of the City;

“district” means the local government district of the City;

“function” means and includes a carnival, show, fete, concert, exhibition, gymkhana, sporting event, a training or practice session in connection with a sport by a group or team of 10 or more persons, or a picnic for a gathering or more than 20 persons;

“jetty” means any jetty, pier, wharf or landing place which is—

(a) in or adjacent to any lake or river; and

(b) owned by, vested in or under the care, control or management of the City;

“liquor” has the same meaning as is given to the term in section 3 of the *Liquor Licensing Act 1988*;

“Manager” means the person for the time being employed by the City to control and manage any facility which is public property and includes the person’s assistant or deputy and caretaker;

“public place” includes—

(a) a thoroughfare or place which the public are allowed to use, whether the thoroughfare or place is or is not on private property; and

(b) parklands, squares, reserves, beaches and other lands set apart for the use and enjoyment of the public and includes all lands which belong to or which are vested in or which are under the care, control or management of the City;

“public property” means anything whether land or not, which belongs to, or is vested in, or under the care, control or management of the City, but does not include thoroughfares;

“sign” includes a notice, flag, ground markings, structure or device on which may be shown words, numbers, expressions or symbols;

“trading” means the selling or hiring, or the offering for sale or hire of goods or services and includes displaying goods for the purpose of offering them for sale or hire, inviting offers for sale or hire, soliciting orders or carrying out any other transaction;

“vehicle” has the same meaning as is given to that term in the *Road Traffic Act 1974* and includes trail bikes, beach buggies, caravans, skateboards, rollerblades and other recreational vehicles whether licensed or unlicensed but does not include a wheel-chair being used by a physically impaired person;

“vessel” means any ship or watercraft and without limiting the generality of the foregoing, has the same meaning as is given to the terms “ship” or “vessel” in the *Western Australian Maritime Act 1982*.

**5.2 Interpretation**

In these local laws unless the context otherwise requires—

(a) a reference to public property includes a reference to any part of that public property;

(b) a reference to the City having power to do or approve something in its discretion and subject to any conditions, shall be deemed to include a reference to the CEO and a committee to which the City has delegated the power of doing or approving the thing, exercising the discretion and imposing any condition;

- (c) gender and number in these local laws shall when denoting a gender or genders include each other and words in the singular number include the plural and words in the plural number include the singular.

### 5.3 Application

These local laws apply to all public property within the district but do not apply to Public Reserve 38794 and Public Reserve 10250.

## PART 2—DETERMINATIONS IN RESPECT OF PUBLIC PROPERTY

6.1 The City may make a determination—

- (a) as to the extent of public access to and the activities which may or may not be pursued on public property;
- (b) prohibiting the entry of vehicles or vehicles of a particular class on public property;
- (c) limiting the speed of vehicles on public property; and
- (d) as to any other condition of use of public property which the City considers appropriate.

6.2 (a) The City shall give effect to any determination made under clause 6.1 by giving local public notice of it under section 1.7 of the Act or erecting signs on the affected public property.

(b) A person shall use public property in accordance with the notice or sign referred to in subclause (a).

6.3 The City may set aside public property for the use of certain persons or may hire public property to any person.

## PART 3—PERMITS

### *Division 1—Preliminary*

7.1 Application for Permit

- (a) Where a permit is required under these local laws, the form of an application for a permit is to be in the form determined by the City from time to time.
- (b) The City may require a person making an application for a permit to give local public notice of the application.

7.2 Decision on Application for Permit

The City may approve an application for a permit, refuse to approve an application for a permit, or may approve an application for a permit subject to any conditions.

7.3 Cancellation of Permits

Subject to Division 1 of Part 9 of the Act, a permit may be cancelled by the City if the permit holder has not complied with the conditions on which the permit was issued.

### *Division 2—Hire of Public property*

8.1 A person must obtain a permit from the City to hire and use any public property.

8.2 The conditions on which a permit referred to in clause 8.1 may be issued can relate to, among other things—

- (a) when fees and charges are to be paid;
- (b) payment of a bond against possible damage or cleaning expenses or both;
- (c) restrictions on the erection of material or external decorations;
- (d) rules about the use of furniture, plant and effects;
- (e) limitations on the number of persons who may attend any function in or on public property or any part thereof;
- (f) the right of the City to cancel a booking at any time during the course of an annual or seasonal booking; and
- (g) a prohibition on the sale, supply or consumption of liquor unless the City consents to a liquor licence being obtained and is obtained for that purpose under the Liquor Licensing Act 1988 and consents to the consumption of liquor on public property.

8.3 The hirer of public property shall—

- (a) be personally liable for any breach of any provision of these local laws or any other written law arising as a result of the hire;
- (b) maintain law and order and decent behaviour by all in attendance at any function for which the public property was hired;
- (c) pay to the City the cost of the repair or replacement of any property damaged during the term of the hire or, at the option of the City make good any such damage to the property;
- (d) ensure that an authorised person has unobstructed access to the property for the purpose of inspecting the property or enforcing any provision of these local laws;
- (e) leave the property in a clean and tidy condition after the term of the hiring;
- (f) report any damage or defacement of the property to the City;

- (g) prevent the consumption of any liquor on the property unless the City has consented to the consumption whether by way of a condition on the permit to hire or by another permit;
- (h) prevent the sale of any liquor on the property unless a licence has been obtained under the Liquor Licensing Act 1988 for that purpose and the City has consented to the sale whether by way of a condition on the permit to hire or by another permit.

*Division 3—Other Activities for Which a Permit is Required*

9.1 A person must obtain a permit from the City before doing or causing to be done any of the following things on or in respect of public property—

- (a) advertise anything by any means;
- (b) on any public property which is not a building, distribute or exhibit any printed or written material which is not a bona fide election material during the course of a Federal, State or Local Government election on polling day;
- (c) erect a tent, stall, platform, table or other device for public amusement or for any performance, whether for gain or otherwise;
- (d) camp, lodge or stay overnight or frequent for the purpose of camping, lodging or staying overnight;
- (e) on public property which is not a building, organise, conduct or address a gathering or meeting of persons or organise or take part in a procession or demonstration or carry a placard or notice;
- (f) teach, coach or train for a fee any person in any outdoor or indoor recreation facility or on any public property;
- (g) plant any plant or sow any seeds;
- (h) cut, prune, collect, obtain or remove any tree or part thereof, timber or firewood;
- (i) disturb, dig up, collect or remove soil, stone or any other matter;
- (j) carry on any trading unless the trading is conducted—
  - (i) with the consent of a person who holds a permit to conduct a function and where trading is carried on during the term of the permit; or
  - (ii) by a person who has a licence to carry on trading on public property under any written law;
- (k) without limiting the generality of the foregoing paragraph, hire or offer for hire any vehicle, bicycle, watercraft, kite or other item or equipment for sport, entertainment or amusement, except that this limitation does not apply to taxis;
- (l)
  - (i) drive or ride or take any vehicle on to public property except on or over such parts as are set aside as roads or driveways or vehicle parking areas;
  - (ii) park or stand any vehicle except in an area set aside for that purpose; or
  - (iii) park or stand a vehicle on a foreshore except in the course of launching or recovering a boat on a boat ramp or other area set aside by the City for the launching of boats,

but this paragraph does not apply to an employee of the City in the course of her or his duties, or a physically impaired person using a wheelchair, including a motorised wheelchair;
- (m) conduct a function;
- (n) charge any person for entry to public property, unless the charge is for entry to land or a building hired by a voluntary non-profit organisation;
- (o) light a fire;
- (p) consume any liquor or have in her or his possession or under her or his control, any liquor other than in a sealed container;
- (q) park, stand, operate or permit the take-off or landing an aircraft on any public property.

**PART 4—BEHAVIOUR IN OR ON PUBLIC PROPERTY**

10.1 A person must not in or on any public property behave in a manner which is—

- (a) likely to interfere with the enjoyment of any person who might use the property; or
- (b) which interferes with the enjoyment of any person using the property.

10.2 A person must not behave in or on public property in a way which would be detrimental to the property or other public assets.

10.3 A person who owns or occupies land within the district must not allow anything on her or his land to cause damage to or interfere with public property.

10.4 Where the CEO is of the opinion that anything on land that is not public property is causing damage to or interfering with public property, she or he may serve a notice requiring the owner or occupier of the land to take specified measures to prevent the damage or interference.

10.5 A person must not in or on public property—

- (a) use language or behave in a manner which is indecent, offensive or abusive or which disturbs or interrupts any person's enjoyment or use of a public place;
- (b) act in a way which endangers any person;
- (c) use any volatile, explosive or flammable matter;
- (d) damage, destroy, apply graffiti to, interfere with, remove anything from or affix anything to any public property, but it shall not be unlawful to use any lifesaving or fire fighting device which is public property during an emergency or if permitted to do so by an authorised person;
- (e) damage, cut, prune, lop or remove any tree or portion of any tree, shrub turf or any other type of vegetation;
- (f) carry firearms unless specifically authorised to do so under the Firearms Act 1973;
- (g) shoot, snare, molest, injure or in any way harm or interfere with any animal without lawful authority or just cause;
- (h) bathe, swim or wade in any sump, drain, fountain, pond or lake;
- (i) use or operate any siren, starting gun or other device which causes a loud noise in such a manner so as to cause a nuisance or annoyance to any person on or in the vicinity of any public property;
- (j) use or operate any musical instrument, radio or loud speaker in such a manner as to create excessive noise or so as to cause a nuisance or annoyance to any person on or in the vicinity of any public property;
- (k) not bring, ride or drive an animal upon any public property that is not set aside by the City as an animal exercise area;
- (l) act contrary to any conditions of use which apply to that public property.

#### **PART 5—CONSUMPTION OF LIQUOR AND PROHIBITED DRUGS**

11.1 A person is not to enter or remain on public property while under the influence of liquor or a prohibited drug.

11.2 A person is not to sell or attempt to sell alcohol unless permitted under a licence issued under the Liquor Licensing Act 1988 and by a permit issued under clauses 8.1 and 8.2.

11.3 A person is not to take any prohibited drug onto, or consume or use any prohibited drug on public property.

#### **PART 6—FEES AND CHARGES**

12.1 The City may issue a free of charge entry pass on any conditions and for any term, to any public property—

- (a) to a person who, in the opinion of the City, has made a significant achievement or contribution in any endeavour; or
- (b) to any person on the occasion of a significant event.

12.2 (a) A person other than the Mayor, Councillors or employees of the City in the execution of their duty, or the holder of a free of charge entry pass under clause 12.1, must not enter public property for such days as may be set apart for sports, agricultural shows or any function for which a charge for admission is authorised, except through the proper entrance for that purpose and on the payment of the fee chargeable for admission at the time.

(b) No ticket is transferable and no person shall enjoy and benefit from any of the privileges obtained from possession of the ticket, other than the person to whom it was originally issued.

(c) A ticket issued to a person shall be produced for inspection on demand to any person duly authorised by the City to demand the production of the ticket.

#### **PART 7—RESTRICTIONS AND PROHIBITED USES OR ACTIVITIES**

##### *Division 1—Model Aeroplanes*

13.1 The City may set aside public property as an area on which persons may fly motorised model aeroplanes and the City may make a determination under clause 2.1 as to the days and hours on or during which such model aeroplanes may be flown.

13.2 A person shall not fly a motorised model aeroplane on—

- (a) property that has not been set aside for that purpose under clause 13.1; or
- (b) other than on a day or during hours which have been determined by the City under clause 2.1.

##### *Division 2—Children's Playground*

13.3 The City may set aside public property as a children's playground.

13.4 The City may limit the ages of persons who are permitted to use a playground and may erect a notice to that effect on the playground.

13.5 A person over the age limit specified in a notice erected on a playground, other than a person having the charge of a child in that playground, shall not enter or use that playground or interfere with the use of it by any child.

*Division 3—Fenced Property*

13.6 A person must not enter any public property which has been fenced off or otherwise closed to the public, unless that person is authorised to do so by the City.

**PART 8—JETTIES AND BRIDGES**

*Division 1—Use of Jetty or Bridge*

14.1 (a) This part only applies to jetties and bridges which are public property.

(b) A person shall not land at, use or go upon a jetty which is—

(i) under construction or repair; or

(ii) closed,

unless that person is authorised in writing by the City or under any written law to do so.

*Division 2—Mooring Boats to Jetties*

14.2 Subject to the provisions of these local laws, a person in control of a vessel is not to moor or make fast any boat to a jetty, or to any part of a jetty except to such mooring piles, ring bolts or other fastenings provided.

14.3 A person is not to moor a boat to a jetty for the purpose of effecting repairs to the boat, unless the boat is in distress and then only to effect the minimum repairs necessary to enable the boat to be moved elsewhere.

14.4 A person is not to moor a boat to a jetty for the purpose of effecting maintenance to that or any other boat.

*Division 3—Boats not to Remain at Jetties*

14.5 Subject to the provisions of these local laws, a person in control of a boat must not permit the boat to remain fastened to or alongside any jetty unless the embarking or disembarking of passengers or the loading or unloading of cargo is in progress.

14.6 Subject to clauses 14.7, a boat moored at a jetty in accordance with these local laws, may not remain moored for more than 2 hours, unless the owner obtains the written consent of the City to remain moored for a specified time and pays the mooring fees set by the City from time to time.

14.7 A person in control of a boat fastened to or alongside a jetty shall remove it immediately upon being ordered to do so by an authorised person.

*Division 4—Cargo or Property*

14.8 A person in control of a boat must not permit the boat to load or discharge cargo or come alongside or be fastened to any jetty until the cargo is ready to be loaded or discharged, as the case maybe.

14.9 Except with the written permission of the City, a person in control of a boat must not permit it to remain alongside a jetty for the purpose of loading or discharging cargo between the hours of 6.00pm to 6.00am the next day.

14.10 Property intended for shipment on a boat must—

(a) not be stored or placed on a jetty unless and until the boat is alongside the jetty; and

(b) be removed from the jetty as soon as practicable.

14.11 Any person unloading the property from a boat on to a jetty shall remove it, or cause it to be removed from the jetty –

(a) as soon as practicable, but not later than 6.00pm on the day which it was so placed; or

(b) immediately upon being ordered to do so by an authorised person.

14.12 An authorised person may order a person apparently in charge of property which remains on a jetty contrary to these local laws to remove the property from the jetty.

14.13 A person who, without reasonable excuse, fails to comply with an order of an authorised person under clause 14.11 commits an offence.

14.14 Any person who commits an offence against clause 14.11 is liable to having the property referred to in clause 14.11, impounded pursuant to Section 3.37 of the Act.

*Division 5—Bulk Cargo on Jetties*

14.15 Except with the prior written consent of the City, a person must not tip or deposit bulk cargo from a vehicle or boat onto a jetty.

*Division 6—Damage to Jetties*

14.16 (a) A person is not to tip or deposit anything onto a jetty so as to cause damage to the jetty or to pollute the surrounding area.

- (b) Where damage is caused to a jetty, whether by a boat or a vehicle or otherwise, the City may repair the damage and recover the cost of repair from—
- (i) where the damage is caused by a boat or vehicle, the person responsible for the control of the boat or vehicle; or
  - (ii) where the damage is not caused by a boat or a vehicle, the person who caused the damage.
- (c) The cost of repair may be recovered by the City as a debt due to it in a court of competent jurisdiction.

*Division 7—Fishing from Jetties and Bridges*

14.17 A person must not—

- (a) fish from a jetty or bridge so as to obstruct or interfere with the free movement of a boat approaching or leaving the jetty or bridge or so as to unreasonably interfere with the use of the jetty by any other person; or
- (b) hang or spread a fishing net from, on or over any part of a jetty or bridge.

**PART 10—OBJECTIONS AND APPEALS**

14.18 When the City makes a decision as to whether it will—

- (a) grant a person a permit under these local laws; or
  - (b) renew, vary, or cancel a permit that a person has under these local laws,
- the provisions of Division 1 of Part 9 of the Act and regulations 33 and 34 of the Local Government (Functions and General) Regulations 1996 apply to that decision.

**PART 11—MISCELLANEOUS**

15.1 Any person appointed as a Manager is an authorised person with the authority to carry into effect the provisions of these local laws in or on the public property concerned.

15.2 A person who is not an authorised person must not in any way assume the duties of an authorised person.

15.3 A person on public property is to obey any lawful order of an authorised person and must not in any way obstruct or hinder an authorised person in the execution of his or her duties.

15.4 An authorised person may, for any reason related to these local laws, refuse permission for any person to enter onto or remain on public property.

15.5 An authorised person may remove or cause to be removed from public property any person who is in contravention of a provision of these local laws.

15.6 All articles left in or about any public property and not claimed within a period of three months, may be disposed of by the City in any manner.

15.7 (a) The City may recover the cost of cleaning or repairing any damage to any public property from a person who caused or contributed to the damage or the need for cleaning.

(b) The cost of cleaning or repairing any public property may be deducted from any bond paid by the hirer of that public property and where the cost is greater than the amount of the bond, the difference may be recovered by the City as a debt due from the hirer or the person who caused or contributed to the damage or the need for cleaning.

**PART 12—PENALTIES**

16.1 (a) Any person who fails to do anything required or directed to be done under these local laws, or who does anything which under these local laws that person is prohibited from doing, commits an offence.

(b) Any person who commits an offence under these local laws is liable, upon conviction, to the penalty specified in these local laws or, if no penalty is specified, to a penalty not exceeding \$5,000 and if the offence is of a continuing nature, to an additional penalty not exceeding \$500 for each day or part of a day during which the offence has continued.

16.2 (a) An offence against any provision of these local laws is a prescribed offence for the purposes of section 9.16(1) of the Act.

(b) The modified penalty for an offence against any provision of these local laws is \$100.

16.3 For the purposes of these local laws—

- (a) the form of the infringement notice referred to in section 9.17 of the Act is that of Form 1 in the Third Schedule; and
- (b) the form of the notice referred to in section 9.20 of the Act is that of Form 2 in the Third Schedule.

Dated 11th November, 1998.

The Common Seal of the City of South Perth was hereunto affixed in the presence of—

J. E. HARDWICK, JP, Mayor.  
L. L. METCALF, Chief Executive.

LG302\*

**LOCAL GOVERNMENT ACT 1995****LOCAL GOVERNMENT (ELECTIONS) AMENDMENT REGULATIONS 1998**

Made by the deputy of the Governor in Executive Council.

**Citation**

1. These regulations may be cited as the *Local Government (Elections) Amendment Regulations 1998*.

**Principal regulations**

2. In these regulations the *Local Government (Elections) Regulations 1997\** are referred to as the principal regulations.

[\* *Published in Gazette 14 February 1997, pp. 905-1008.*

*For amendments to 9 October 1998 see 1997 Index to Legislation of Western Australia, Table 4, p. 169.]*

**Application**

3. These amendments to the principal regulations apply to elections that are to take place on or after 1 May 1999.

**Regulation 3 amended**

4. Regulation 3 of the principal regulations is amended in paragraph (c) of the definition of "election papers" by inserting after "election" the following—

“ , other than 'disclosure of gifts' forms completed due to the operation of Part 5A ”.

**Part 5A inserted**

5. After regulation 30 of the principal regulations the following Part is inserted—

**PART 5A—DISCLOSURE OF GIFTS****'Gift' defined—s. 4.59(a)**

**30A.** (1) In this Part—

“**gift**” means a disposition of property, or the conferral of any financial benefit, made by one person in favour of another.

(2) A gift can include a gift of money, a gift which is non-monetary but of value, a gift in kind, the payment of an inadequate financial consideration or the receipt of a discount (where the difference or discount is more than \$200 worth), financial or other contribution to travel, the provision of a service for no consideration or for inadequate consideration, and a firm promise or agreement to give a gift at some future time.

(3) A gift can be made with or without an instrument in writing, without consideration in money or money's worth passing from one person to another, and in the present or sometime in the future.

(4) A gift is only relevant if—

- (a) the value of the gift is \$200 or more; or
- (b) the value of the gift is less than \$200, but the gift is one of 2 or more gifts, with a total value of \$200 or more, made by one person at any time during the period set out in regulation 30C.

(5) A gift does not include—

- (a) a gift by will;
- (b) a gift by a 'relative' (as defined in section 5.74(1) of the Act);
- (c) a gift that the candidate would have received notwithstanding his or her candidature; or
- (d) the provision of volunteer labour.

**Candidates to disclose gifts C 4.59**

**30B.** (1) A candidate must disclose to the CEO a gift promised or received during the period set out in regulation 30C.

Penalty: \$5 000

(2) A candidate must make a disclosure to the CEO in the manner set out in regulation 30D(1), and within the time set out in regulation 30D(2).

Penalty: \$5 000

(3) A candidate must identify the source of a gift in the manner set out in regulation 30E.

Penalty: \$5 000

(4) A candidate must provide the information set out in regulation 30F(1) relating to a gift, and the candidate must ensure that the information provided is not false or misleading.

Penalty: \$5 000

**Disclosure period**

**30C.** (1) For the purposes of regulation 30B(1), the period commences 6 months before the relevant election day, and concludes—

- (a) three days after the election day, for unsuccessful candidates; or
- (b) on the start day for financial interest returns for successful candidates under section 5.74 of the Act.

(2) Where a delay results from a declaration from the Court of Disputed returns the period of delay is to be added to the 6 month period set out in subregulation (1).

**Manner and time of disclosure**

**30D.** (1) For the purposes of regulation 30B(2), a disclosure is to be made by completing Form 9A and lodging it with the CEO.

(2) For the purposes of regulation 30B(2), a disclosure is to be made—

- (a) within 3 days of the receipt (or promise) of the gift, once nominations are made; or
- (b) within 3 days of nomination, for gifts received (or promised) between the commencement of the period set out in regulation 30B and the day of nomination,

unless the CEO is satisfied that the lodging of a disclosure has occurred outside the time period in paragraph (a) or (b) due to circumstances beyond the candidate's control.

**Source of gift**

**30E.** For the purposes of regulation 30B(3), a candidate must identify the true source of a gift, if known, or state on the 'disclosure of gifts' form that the true source of the gift is unknown to the candidate.

**Information to be provided**

**30F.** (1) For the purposes of regulation 30B(4), a disclosure is to contain the following information—

- (a) a description of the gift;
- (b) the date the gift was received or promised;
- (c) the value of the gift; and
- (d) the information required under regulation 30E.

(2) If a candidate is unable to provide some or all of the information set out in subregulation (1), the candidate does not commit an offence under regulation 30B(4) if, on the 'disclosure of gifts' form, the candidate—

- (a) provides as much of the information as is available to the candidate;
- (b) indicates what of the required information has not been provided; and
- (c) sets out the reasons for not being able to provide the information.

(3) In subregulation (2)—

“reasons” must be, in the opinion of the CEO, sufficient and appropriate.

**Register**

**30H.** (1) The CEO is to establish and maintain an electoral gift register.

(2) The CEO is to ensure that all 'disclosure of gifts' forms completed by candidates and received by the CEO are placed on the electoral gift register—

- (a) upon receipt by the CEO; and
- (b) in a manner that clearly identifies and distinguishes the candidates.

(3) When the period under regulation 30C has concluded in relation to any election, the CEO is to remove any 'disclosure of gifts' forms completed by an unsuccessful candidate from the electoral gift register, and retain those forms separately for a period of at least 2 years.

(4) When a successful candidate completes the term of office resulting from an election, the CEO is to remove any 'disclosure of gifts' forms completed by that person for that election from the electoral gift register, and retain those forms separately for a period of at least 2 years.

**Public to have access to electoral gift register**

**30I.** The electoral gift register is to be kept at the appropriate local government offices.

**Offence to publish information in certain cases**

**30J.** (1) A person must not publish—

- (a) any information derived from an electoral gift register unless that information constitutes a fair or accurate report or summary of information contained in the register and is published in good faith; or



(b) any comment on the facts set forth in an electoral gift register unless that comment is fair and published in good faith.

Penalty: \$5 000.

(2) In subregulation (1)—

“publish” has the same meaning in relation to any information or comment referred to in that subregulation as it has in sections 348 and 349 of *The Criminal Code* in relation to the publication of defamatory matter.

**Regulation 43 amended**

6. Regulation 43(1) of the principal regulations is amended by inserting after paragraph (b) the following paragraph—

(ba) information to the effect that the electoral gifts register is available for inspection, by any voter prior to the election, at the relevant local government offices;

**Schedule 1 amended**

7. (1) Schedule 1 to the principal regulations is amended in the “List of Forms” by inserting after item 9 the following item—

“ 9A. Disclosure of Gifts s. 4.59 ”.

(2) Schedule 1 to the principal regulations is amended by inserting after Form 9 the following form—

*Local Government Act 1995*  
**Local Government (Elections) Regulations 1997**

[s. 4.59]  
[r. 30D]

**Form 9A**  
**DISCLOSURE OF GIFTS**

Details of Candidate

Surname ..... Other names.....

**Complete and sign the declaration at the end of the Form**

Details of Gifts (Money or value above \$200)

Name and Address of Donor.....

Date gift promised or received.....

Value of gift .....

Description of gift.....

Note:

*THE DONOR IS THE ORIGINAL SOURCE OF THE GIFT. THE DONOR MAY OR MAY NOT ACTUALLY BE THE PERSON WHO DELIVERS THE GIFT.*

*IF YOU ARE UNABLE TO PROVIDE THE INFORMATION REQUIRED BY THIS FORM, SET OUT THE REASONS FOR NOT PROVIDING IT IN THE SPACE BELOW.*

It is declared that all information and details provided are true and correct, and no known, relevant information is omitted.

Signature ..... Date .....

By Command of the deputy of the Governor,

ROD SPENCER, Clerk of the Executive Council.

## LG303

## HEALTH ACT 1911

## SHIRE OF DOWERIN HEALTH LOCAL LAWS 1998

Made by the Council of the Shire of Dowerin.

**Citation**

1. These local laws may be cited as the "*Shire of Dowerin Health Local Laws 1998*".

**Incorporation by Reference**

2. (i) In these local laws, "*The Shire of Plantagenet Health Local Laws 1997*";  
 (a) means *The Shire of Plantagenet Health Local Laws 1997* published in the *Government Gazette*, special edition number 69, on the 30 March 1998; and  
 (b) does not include any amendments that might be made to those Local Laws  
 (ii) Subject to the modifications set out in the Schedule, *The Shire of Plantagenet Health Local Laws 1997* are incorporated with and form part of these Local Laws.

**Repeal**

3. (1) The Health Local Laws adopted by the Shire of Dowerin and published in the *Government Gazette* on the 30 May 1930 and amended from time to time, are repealed;  
 (2) The Health Local Laws adopted by the Shire of Dowerin on 12 July 1954 and published in the *Government Gazette* on the 20 August 1954 and amended from time to time, are repealed;  
 (3) The Health Local Laws adopted by the Shire of Dowerin on 15 October 1956 and published in the *Government Gazette* on the 21 January 1957, and amended from time to time, are repealed; and  
 (4) The Health Local Laws adopted by the Shire of Dowerin on 9 November 1964 and published in the *Government Gazette* on the 26 February 1965, and amended from time to time, are repealed.

## SCHEDULE

Modifications to *The Shire of Plantagenet Health Local Law 1997*

| Item | Sections Affected                            | Description  |
|------|--|--|
| 1.   | <b>1.1</b>                                   | Delete Section 1.1 and substitute the following:<br>" <b>1.1</b> These local laws may be cited as the " <i>Shire of Dowerin Health Local Laws 1998</i> "."   |
| 2.   | <b>1.2</b>                                   | Delete Section 1.2.  |
| 3.   | <b>1.3</b> (1), and<br><b>Schedules 1-12</b> | Delete "Shire of Plantagenet" wherever it occurs and substitute "Shire of Dowerin".  |
| 4.   | <b>2.1.5</b> (1)(c)(ii)                      | Insert the word "flap" before the word "valve".  |
| 5.   | <b>2.1.9</b> (2)                             | In the first line, delete the word "a" before the words "the premises".  |
| 6.   | <b>3.2.4</b> (1)                             | In the first line, delete the word "of" before the word "occupy" and substitute the word "or".   |
| 7.   | <b>3.3.2</b>                                 | In the first line, delete the word "for" before the words "a rain water tank" and substitute the word "from".  |
| 8.   | <b>4.2.10</b> (2)(a)(i)                      | In subsection (2)(a)(i), delete the last word "or" and substitute "and".   |
| 9.   | <b>4.2.10</b> (2)(a)(ii)                     | In subparagraph (ii), delete the word "suitable" and substitute "unsuitable".  |
| 10.  | <b>4.2.13</b>                                | After section 4.2.12, insert a new section as follows:<br>"4.2.13 The areas specified in Schedule 13 are the areas within which the provisions of Section 112A of the Act, shall operate and have effect." |
| 11.  | <b>4.3.1</b>                                 | Delete the definition of "butchers' waste" and substitute—<br>" <b>butchers' waste</b> includes animal skeletons and rib cages from a boning room and the inedible products of an abattoir."               |
| 12.  | <b>5.2.4</b> (1)                             | Delete the words "of the Council" after the word "District" in the second line.  |
| 13.  | <b>5.3.3</b> (1)(b)(ii)                      | Insert the word "a" before the word "minimum".   |
| 14.  | <b>5.3.3</b> (2)(a)                          | Delete the word "to" after the word "Officer" and substitute a comma.  |
| 15.  | <b>5.3.3</b> (2)(b)                          | In the second line, delete the word "of" before the word "other" and substitute the word "or".   |
| 16.  | <b>6.1.4</b>                                 | In paragraph (c), delete the words "of flies: and insert them on the next line, aligned with the first word of the section.  |
| 17.  | <b>7.3.1</b> and <b>7.3.2</b>                | In Part 7, delete Division 3—Skin Penetration.   |

18. **8.2.5** Delete paragraph (e) and insert a new subsection (6) as follows:  
“(6) Paragraphs (b) and (c) of subsection (5) do not apply to a services apartment.
19. **8.3.9** In paragraph (i), delete the comma after the word “bedding” and insert a comma after the word “furniture”.
20. **9.4.1** Delete the definition of “**exempt laundry**”.
21. **9.4.1** In the definition of “**laundry**”, delete the words “an exempt laundry or”.
22. **9.4.2** Delete the word “withdrawn” and substitute “withdraw”
23. **9.4.3** Delete the word “except” from the first line of subsection (1)(a).
24. **10.1.1** In subsection (2), delete the words “of this section”.
25. **Schedule 2** In the title, insert the words “REGISTRATION OF” before the words “A LODGING HOUSE”.
26. **Schedule 13** Insert a new Schedule 13 as follows:

“  
**Schedule 13**  
**SHIRE OF DOWERIN**  
**HEALTH ACT 1911**  
**PRESCRIBED AREAS—SECTION 112A**  
“The townsite of Dowerin.”

Passed at a meeting of the Council of the Shire of Dowerin held on 15th September 1998.  
The Common Seal of the Shire of Dowerin was hereunto affixed in the presence of—  
On this 15th day of September 1998.

W. K. JONES, President.  
M. K. HOLT, Chief Executive Officer.

Consented to—

DR C. F. QUADROS, delegate of Executive Director,  
Public Health.

Dated this 12th day of November 1998.

**LG401\***

**LOCAL GOVERNMENT ACT 1995**

*City of Fremantle*

Integrated Patrols Officer (Parking & Ranger Duties)

It is hereby notified for public information that Mark Liddington, has been appointed as an Authorised person for the City of Fremantle pursuant to the following—

1. Local Government Act 1995 and amendments
2. Litter Act
3. Dog Act—including Authorised Dog Registration Officer provisions
4. Dangerous Dogs Legislation
5. Off Road Vehicles Act
6. Bush Fires Act
7. Care & Control of Dogs Local Law
8. Parking Facility Local Law
9. Parks Recreation & Public Reserves Local Law
10. Signs Hoarding & Bill Posting Local Law
11. Outdoor Eating Areas Local Law
12. Trading in Public Places Local Law

To exercise all the powers and functions of an Integrated Patrols Officer (Parking & Rangers Duties) imposed by and in accordance with the powers conferred by the said Acts.

RAY GLICKMAN, Chief Executive Officer.

LG403

LOCAL GOVERNMENT (MISCELLANEOUS PROVISIONS) ACT 1960

City of Bunbury

CLOSURE OF PRIVATE STREET

Department of Local Government,  
Perth, 20 November 1998.

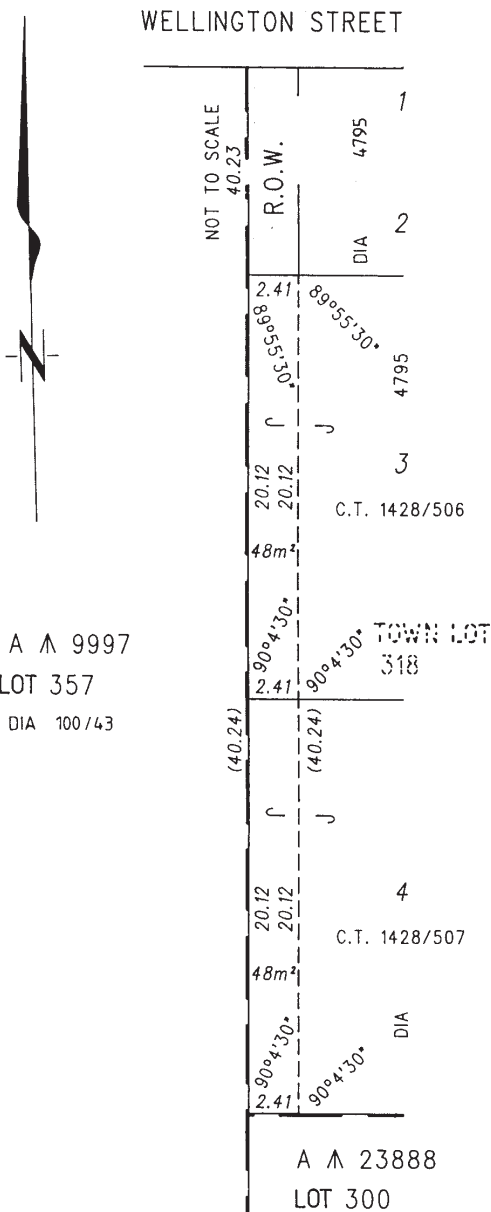
LG: BY 4-12

It is hereby notified for public information that the deputy of the Governor has approved under section 297A of the Local Government (Miscellaneous Provisions) Act 1960, the resolution passed by the City of Bunbury that portion of the private street which is described as being portion of Bunbury Town Lot 318, being portion of the land coloured brown on Diagram 4795, and being part of the land contained in Certificate of Title Volume 686 Folio 71 be closed, and the land contained therein be amalgamated with the adjoining Lots 3 and 4 Upper Esplanade, Bunbury, as shown in the Schedule hereunder.

JOHN LYNCH, Executive Director.  
Department of Local Government.

SCHEDULE

DIAGRAM No. 95970



Pt A Λ 9997  
PT LOT 357  
CS DIA 100/43

COMPILED FROM  
DIAGRAM 4795

**LG404**

**LOCAL GOVERNMENT (MISCELLANEOUS PROVISIONS) ACT 1960**

*City of Stirling*

**CLOSURE OF PRIVATE STREET**

Department of Local Government,  
Perth, 20 November 1998.

LG: ST4-12

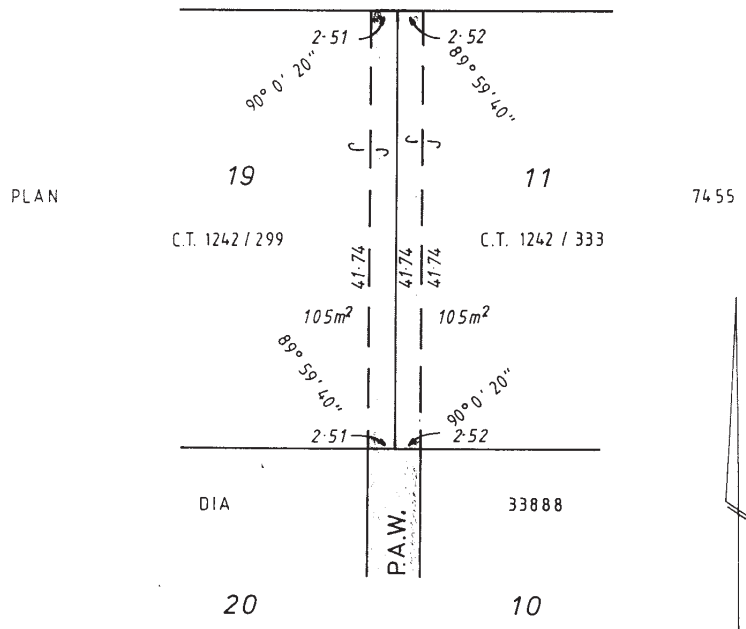
It is hereby notified for public information that the deputy of the Governor has approved under section 297A of the Local Government (Miscellaneous Provisions) Act 1960, the resolution passed by the City of Stirling that portion of the private street which is described as being portion of Perthshire Location Au, being portion of the land coloured brown on Plan 7455 and being part of the land contained in Certificate of Title Volume 1240 Folio 772 be closed, and the land contained therein be amalgamated with adjoining Lots 11 and 19 Seaforth Road, Balcatta, as shown in the Schedule hereunder.

JOHN LYNCH, Executive Director.  
Department of Local Government.

**SCHEDULE**

**DIAGRAM No. 96630**

**SEAFORTH ROAD**



0 10 20  
COMPILED FROM PLAN 7455

**LG405**

**LOCAL GOVERNMENT ACT 1995**

*Town of Vincent*

**RATING EXEMPTION**

It is hereby notified for public information that the Minister for Local Government has declared:

Lot 169 and Lot 170 Burt Street, North Perth, owned by the Italo Australian Welfare and Cultural Centre (Inc.); and

Part Reserve 3839 Vincent Street, Leederville, leased to the Minister for Community Welfare and occupied by the Leederville Childcare Centre (Inc.)

exempt from the local government rates under the provisions of section 6.26 of the *Local Government Act 1995*.

JOHN LYNCH, Executive Director.  
Department of Local Government.

**LG402\*****LOCAL GOVERNMENT ACT 1995***City of Fremantle*

## Integrated Patrols Officer (Parking &amp; Ranger Duties)

It is hereby notified for public information that the following persons—

|                          |                        |
|--------------------------|------------------------|
| Pat Henry Lucas          | David Anthony Charlton |
| Peter Benard Stickland   | Alec Morris            |
| Trevor Valentine Ross    | Morris Charles Russell |
| Cristopher Gordon Browne | Robert Arthur Winton   |
| Neil Ross Anderson       | Harpal Singh Ahluwalia |
| David Valcic             | Glen Charles Stockley  |
| Steven Hayward Williams  | Clifford Charles Lacey |
| David Lochran Braid      | Barrie John Tyson      |

have been appointed by the City of Fremantle as authorised Officers to exercise powers pursuant to the following—

1. Local Government Act 1995 and amendments
2. Litter Act
3. Dog Act—including Authorised Dog Registration
4. Off Road Vehicles Act
5. Bush Fires Act
6. Care & Control of Dogs Local Law
7. Parking Facility Local Law
8. Parks Recreation & Public Reserve Local Law
9. Hoarding & Bill Posting Local Law
10. Outdoor Eating Areas Local Law
11. Trading in Public Places Local Law

To exercise all the powers and functions of an Integrated Patrols Officer (Parking & Rangers Duties) imposed by and in accordance with the powers conferred by the said Act.

RAY GLICKMAN, Chief Executive Officer.

**LG406****BUSH FIRES ACT 1954***Shire of Serpentine-Jarrahdale*

## FIRE CONTROL OFFICER

It is hereby notified for public information that Anthony Deane Vickery-Howe has been appointed as the Fire Control Officer for the Shire of Serpentine-Jarrahdale and City of Rockingham in accordance with the above Act.

IAN M. BODILL, Chief Executive Officer.

**LG407****CEMETERIES ACT 1986**

## CLOSURE AND VESTING OF GREENOUGH PUBLIC CEMETERY (RESERVE NO. 7246)

## ORDER 1998

Made by the deputy of the Governor under sections 4 and 43 of the Cemeteries Act 1986.

**Citation**

1. This Order may be cited as the *Closure and Vesting of the Greenough Public Cemetery (Reserve No. 7246) Order 1998*.

**Commencement**

2. This Order shall take effect from the date of publication in the *Government Gazette*.

**Closure of Cemetery for Burials**

3. The Greenough Public Cemetery Reserve No. 7246 is hereby closed for burials.

**Revocation of Previous Vesting**

4. The vesting of the Greenough Public Cemetery published in the *Government Gazette* of 12 August 1910 on page 2097 and all previous vestings are hereby revoked.

**Vesting of Cemetery**

5. The care, control and management of Greenough Public Cemetery Reserve No. 7246 is hereby vested in the Shire of Greenough.

By Command of the deputy of the Governor,

ROD SPENCER, Clerk the Council.

---

---

**PLANNING**

---

---

**PD401\*****TOWN PLANNING AND DEVELOPMENT ACT, 1928**

TOWN PLANNING SCHEME AMENDMENT AVAILABLE FOR INSPECTION

*CITY OF BELMONT*

TOWN PLANNING SCHEME No. 11—AMENDMENT No. 121

Ref: 853/2/15/10 Pt 121

Notice is hereby given that the local government of the City of Belmont has prepared the abovementioned scheme amendment for the purpose of rezoning Location 11640 (33) Martin Avenue, Rivervale from "Parks and Recreation" to "Residential A R20/R40".

Plans and documents setting out and explaining the scheme amendment have been deposited at Council Offices, 215 Wright Street, Cloverdale and at the Western Australian Planning Commission, Albert Facey House, 469 Wellington Street, Perth, and will be available for inspection during office hours up to and including 4 January, 1999.

Submissions on the scheme amendment may be made in writing on Form No 4 and lodged with the undersigned on or before 4 January, 1999.

This amendment is available for inspection in order to provide an opportunity for public comment and it should not be construed that final approval will be granted.

B. R. GENONI, Chief Executive Officer.

**PD402\*****TOWN PLANNING AND DEVELOPMENT ACT, 1928**

TOWN PLANNING SCHEME AMENDMENT AVAILABLE FOR INSPECTION

*CITY OF KALGOORLIE-BOULDER*

TOWN PLANNING SCHEME No. 1—AMENDMENT No. 8

Ref: 853/11/3/6 Pt 8

Notice is hereby given that the local government of the City of Kalgoorlie-Boulder has prepared the abovementioned scheme amendment for the purpose of amending the Scheme Text by—

- 1 amending Clause 5.10(5).
- 2 amending Schedule 8—Exempted Advertisements Pursuant to Clause 5.10.
- 3 Adding the following definition to Schedule 1 in the appropriate location—

**Information Panel:**—means a panel used for displaying notices, and announcements of a religious, educational, cultural, recreational or similar character, general information for the benefit of the general public.

Plans and documents setting out and explaining the scheme amendment have been deposited at Council Offices, Davidson Street, Kalgoorlie and at the Western Australian Planning Commission, Albert Facey House, 469 Wellington Street, Perth, and will be available for inspection during office hours up to and including 4 January, 1999.

Submissions on the scheme amendment may be made in writing on Form No 4 and lodged with the undersigned on or before 4 January, 1999.

This amendment is available for inspection in order to provide an opportunity for public comment and it should not be construed that final approval will be granted.

P. A. ROB, Chief Executive Officer.

**PD403\*****TOWN PLANNING AND DEVELOPMENT ACT, 1928**

TOWN PLANNING SCHEME AMENDMENT AVAILABLE FOR INSPECTION

*CITY OF STIRLING*

TOWN PLANNING SCHEME No. 38—AMENDMENT No. 1

Ref: 853/2/20/40 Pt 1

Notice is hereby given that the local government of the City of Stirling has prepared the abovementioned scheme amendment for the purpose of altering the definition of Scheme Net Land Area, amending Contribution Table No 1 and sub-clause 3.6.5 and altering Table 1 Car-Parking requirements, Table

No 1 of Schedule 4 "Distribution of General Costs by Precinct" and including Contribution Table No 1B after Contribution Table No 1.

Plans and documents setting out and explaining the scheme amendment have been deposited at Council Offices, Civic Place, Stirling and at the Western Australian Planning Commission, Albert Facey House, 469 Wellington Street, Perth, and will be available for inspection during office hours up to and including 4 January, 1999.

Submissions on the scheme amendment may be made in writing on Form No 4 and lodged with the undersigned on or before 4 January, 1999.

This amendment is available for inspection in order to provide an opportunity for public comment and it should not be construed that final approval will be granted.

M. J. WADSWORTH, Chief Executive Officer.

**PD404\***

**TOWN PLANNING AND DEVELOPMENT ACT, 1928**

TOWN PLANNING SCHEME AMENDMENT AVAILABLE FOR INSPECTION

*CITY OF STIRLING*

TOWN PLANNING SCHEME No. 36—AMENDMENT No. 2

Ref: 853/2/20/38 Pt 2

Notice is hereby given that the local government of the City of Stirling has prepared the abovementioned scheme amendment for the purpose of amending the Scheme Text and Map to make provision for land surrendered to the City for public purposes prior to the gazettal of the above Town Planning Scheme.

Plans and documents setting out and explaining the scheme amendment have been deposited at Council Offices, Civic Place, Stirling and at the Western Australian Planning Commission, Albert Facey House, 469 Wellington Street, Perth, and will be available for inspection during office hours up to and including 18 December, 1998.

Submissions on the scheme amendment may be made in writing on Form No 4 and lodged with the undersigned on or before 18 December, 1998.

This amendment is available for inspection in order to provide an opportunity for public comment and it should not be construed that final approval will be granted.

M. J. WADSWORTH, Chief Executive Officer.

**PD405**

**TOWN PLANNING AND DEVELOPMENT ACT, 1928**

ADVERTISEMENT OF APPROVED TOWN PLANNING SCHEME AMENDMENT

*SHIRE OF AUGUSTA-MARGARET RIVER*

TOWN PLANNING SCHEME No. 11—AMENDMENT No. 100

Ref: 853/6/3/8 Pt 100

It is hereby notified for public information, in accordance with Section 7 of the Town Planning and Development Act, 1928 (as amended) that the Hon Minister for Planning approved the Shire of Augusta-Margaret River Town Planning Scheme Amendment on 15 November, 1998 for the purpose of—

1. Rezoning Sussex Location 201 Caves Road, Margaret River from "Rural" zone, "Rural: River Foreshore Protection" zone and "Policy Area B" to "Special Rural" zone and "Park and Recreation" reserve and amending the Scheme Maps accordingly.
2. Amending the Scheme Text by inserting the following in "Appendix 1—Special Rural Zones—Provisions Relating to Specified Areas".
 

|  |   |
|--|---|
| <ol style="list-style-type: none"> <li>(A) Specified Area of Locality<br/>"Sussex Location 201 Caves Road,<br/>Margaret River</li> </ol> | <ol style="list-style-type: none"> <li>(B) Special Provisions to refer to (A).               <ol style="list-style-type: none"> <li>1. Subdivision shall be generally in accordance the Subdivision Guide Plan for the land dated 10 November 1997 attached to the Scheme Amendment Report (Amendment No. 100).</li> <li>2. Clearing of flora shall only take place within those areas designated as building envelopes on the subdivision guide plan, with the following exceptions—                   <ol style="list-style-type: none"> <li>(a) clearing to gain vehicular access to the lots. In any event Council on the plan of subdivision may specify the approximate location of the crossovers to the respective lots, and</li> </ol> </li> </ol> </li> </ol> |
|--|---|



## (A) Specified Area of Locality

## (B) Special Provisions to refer to (A).

- (b) clearing to comply with the Bush Fires Act, 1954.
3. All development of Dwelling houses and all ancillary buildings shall comply with the following development guidelines—
  - (a) buildings shall be constructed of non-reflective material (with the exception of glazed areas) and shall comprise either timber, stone, rammed earth, brick or steel construction and shall be of colour(s) and textures which are essentially natural and earthy. All such materials shall be to the satisfaction of the Council and shall be compatible with the rural character of the locality.
  - (b) buildings on land steeper than gradients of 1:10 shall be split level or pier construction to minimise the amount of cut and fill.
  - (c) all services within the lot boundaries shall be underground.
  - (d) a minimum of 150mm topsoil shall be stripped from earthworks areas and replaced immediately after construction onto disturbed areas.
  - (e) landscaping should be with materials that are sympathetic with the surrounding natural landscape.
  - (f) all dwellings within the zone shall comply with AS3959-1991—Construction of Houses in Bushfire Prone Areas.
4. The carrying of any stock on any lot in the zone is not permitted.
5. The disposal of liquid and/or solid wastes shall be carried out by the installation of an effluent disposal system approved by the Council. Effluent disposal areas shall be set back a minimum of 50 metres from any water course or dam for alternative effluent disposal systems or 100 metres for conventional systems. No house shall be occupied without the prior approval and installation of such a disposal system. Alternative treatment units are to be specifically required for those lots identified on the subdivision guide plan.
6. Each lot shall be supplied with reticulated water at the time of subdivision.
7. Prior to the subdivision of the land, the subdivider shall prepare a detailed Fire Management Plan to the satisfaction of the Council and the Bushfires Board. The land the subject of this scheme amendment, shall not be developed or used unless in conformity with the abovementioned approved Fire Management Plan.
8. A copy of the Fire Management Plan shall be kept at the office of the Council and available for public inspection during normal office hours.
9. Each lot purchaser is to be provided with a copy of the approved Fire Management Plan.
10. The Fire Management Plan may be varied from time to time by the Council provided that the owner/s of any land affected by the variation is notified in writing of the terms of the variation.
11. Fencing shall be permitted only within the building envelopes as identified by the Subdivision Guide Plan.
12. No dams shall be permitted on any lot unless otherwise approved by Council and the Water and Rivers Commission.

- (A) Specified Area of Locality
- (B) Special Provisions to refer to (A).
13. Development on all lots will be confined to building envelopes as illustrated on the Subdivision Guide Plan however, such building envelopes as depicted on the Plan may be varied at the discretion of Council provided that—
    - (a) Council is satisfied the location of the new building envelope will not be intrusive or impact on the overall development and surrounding environs.
    - (b) It is demonstrated to Council's satisfaction that there are sound reasons for relocating the building envelope to the new site.
    - (c) No valid objection (in the opinion of Council) is raised by any adjoining or affected landowner.
  14. Council may request the establishment of strategic tree planting areas as identified on the Subdivision Guide Plan as a condition of subdivision.
  15. Council may request the construction of a walk trail along the Margaret River including a connection to Caves Road as shown on the subdivision guide plan as a condition of subdivision.
  16. There shall be a height limit on buildings of 8 metres.
  17. Buildings, water tanks and other structures should be located away from ridge-tops so as not to be silhouetted against the skyline.
  18. Outbuildings should form a unified group with the main building and should be of similar form, colour and materials.

B. GODLEY, President.  
M. EASTCOTT, Chief Executive Officer.

**PD406\***

**TOWN PLANNING AND DEVELOPMENT ACT, 1928**  
NOTICE OF REVOCATION OF A TOWN PLANNING SCHEME  
*SHIRE OF MUKINBUDIN*  
TOWN PLANNING SCHEME No. 2

Ref: 853/4/20/4

Notice is hereby given that the Council of the Shire of Mukinbudin in pursuance of its powers under the Town Planning and Development Act, 1928 (as amended) RESOLVED at the ordinary meeting of the Council held on 16 September, 1998 to revoke Town Planning Scheme No 2 and the Seal of the Municipality was pursuant to that resolution hereunto affixed in the presence of—

E. R. VENTRIS, President.  
A. J. BORRETT, Chief Executive Officer.

Recommended/Submitted for Approval—  
Dated 29 October, 1998.

EUGENE FERRARO, For Chairperson,  
Western Australian Planning Commission

Approval Granted—  
Dated 3 November 1998.

GRAHAM KIERATH, Minister for Planning.

**PD407\***

**TOWN PLANNING AND DEVELOPMENT ACT, 1928**  
TOWN PLANNING SCHEME AMENDMENT AVAILABLE FOR INSPECTION  
*SHIRE OF MURRAY*

TOWN PLANNING SCHEME No. 4—AMENDMENT No. 133

Ref: 853/6/16/7 Pt 133

Notice is hereby given that the local government of the Shire of Murray has prepared the abovementioned scheme amendment for the purpose of—

- 1 Rezoning Lot 5 Corio Road, North Dandalup, from "Rural" to "Special Use—Tourist Development";
- 2 Inserting Lot 5 Corio Road within Schedule 5—Special Use Zones.
- 3 Amending the Scheme Maps accordingly.

Plans and documents setting out and explaining the scheme amendment have been deposited at Council Offices, Pinjarra Road, Pinjarra and at the Western Australian Planning Commission, Albert Facey House, 469 Wellington Street, Perth, and will be available for inspection during office hours up to and including 4 January, 1999.

Submissions on the scheme amendment may be made in writing on Form No 4 and lodged with the undersigned on or before 4 January, 1999.

This amendment is available for inspection in order to provide an opportunity for public comment and it should not be construed that final approval will be granted.

N. G. LEACH, Chief Executive Officer.

**PD408\***

**TOWN PLANNING AND DEVELOPMENT ACT, 1928**  
ADVERTISEMENT OF APPROVED TOWN PLANNING SCHEME AMENDMENT  
*SHIRE OF SWAN*

TOWN PLANNING SCHEME No. 9—AMENDMENT No. 326

Ref: 853/2/21/10 Pt 326

It is hereby notified for public information, in accordance with Section 7 of the Town Planning and Development Act, 1928 that the Hon Minister for Planning approved the Shire of Swan Town Planning Scheme Amendment on 11 November, 1998 for the purpose of amending the Scheme Map by rezoning Swan Loc 12776 (formerly Reserve No 35515) Brown Place, Beechboro which has been amalgamated with the adjacent closed pedestrian accessway, from 'Local Reserve—Parks and Recreation' to 'Residential 1 (R20)'.

E. W. LUMSDEN, Chief Executive Officer.  
A. C. FREWING, Executive Manager, Management Services.

**PD409\***

**TOWN PLANNING AND DEVELOPMENT ACT, 1928**  
ADVERTISEMENT OF APPROVED TOWN PLANNING SCHEME AMENDMENT  
*SHIRE OF TOODYAY*

TOWN PLANNING SCHEME No. 3—AMENDMENT No. 15

Ref: 853/4/28/4 Pt 15

It is hereby notified for public information, in accordance with Section 7 of the Town Planning and Development Act, 1928 that the Hon Minister for Planning approved the Shire of Toodyay Town Planning Scheme Amendment on 14 November, 1998 for the purpose of—

- 1 Rezoning Portion of Avon Loc CG3354 No 1370 Julimar Road to Special Rural as shown on the Amending Map.
- 2 Adding to Schedule 3 under Policy Area No 2, the following—
 

|  |  |
|--|--|
| <ol style="list-style-type: none"> <li>1. Subdivision and development within the zone shall generally be in accordance with the Subdivision Guide Plan adopted by Council on August 27, 1998.</li> <li>2. The total area of portion of Avon Location CG3354 is declared a Tree Preservation Area under Clause 6.6 Tree Preservation in Town Planning Scheme No 3.</li> </ol> | <ol style="list-style-type: none"> <li>1. Subdivision and development within the zone shall generally be in accordance with the Subdivision Guide Plan adopted by Council on August 27, 1998.</li> <li>2. The total area of portion of Avon Location CG3354 is declared a Tree Preservation Area under Clause 6.6 Tree Preservation in Town Planning Scheme No 3.</li> </ol> |
|--|--|

3. Where shown, access to a lot will be restricted to that marked on the Subdivision Guide Plan.

A. J. BOLTON, President.  
A. SMITH, Chief Executive Officer.

---

---

## PREMIER AND CABINET

---

---

### PR401

#### NOTICE OF DORMANT COMMISSION RELATING TO THE OFFICE OF GOVERNOR

Under the Royal Sign Manual and the Public Seal of the State dated 4 August 1998, the Queen issued a dormant commission appointing the Chief Justice of Western Australia for the time being or the next most senior Judge present in the State and able to act, to administer the government of the State of Western Australia in certain circumstances. The text of the commission is as follows:

“

WESTERN AUSTRALIA

[L.S.]

*Elizabeth R*

ELIZABETH THE SECOND  
by the Grace of God Queen of Australia  
and Her other Realms and Territories,  
Head of the Commonwealth

To: The Chief Justice of Western Australia for the time being  
or the next most senior Judge present in the State and able to act:

#### Greeting:

#### 1. Purpose of this Commission

This Commission under Our Sign Manual and the Public Seal of the State of Western Australia is issued because under Our Letters Patent relating to the office of Governor of the State of Western Australia dated 14 February 1986—

- (a) clause XI provides that an Administrator shall administer the government of the State in certain circumstances; and
- (b) clause XIII provides that the Lieutenant-Governor shall be the Administrator but if there is not Lieutenant-Governor or if the Lieutenant-Governor is unable to act as Administrator or is absent from the State then the Chief Justice of Western Australia or the next most senior Judge present in the State and able to act shall be the Administrator; and
- (c) clause XV provides that the appointment of a Lieutenant-Governor and of an Administrator shall be during Our Pleasure by Commission under Our Sign Manual.

#### 2. Appointment of Chief Justice as Administrator

By this Commission We appoint, authorize and require you, the Chief Justice of Western Australia for the time being, to be the Administrator and to administer the government of the State if and so long as—

- (a) there is a vacancy in the office of Governor of the State or the Governor is administering the government of the Commonwealth of Australia or, not having appointed a deputy under Clause XVI of those Letters Patent, is unable to act as Governor or is on leave or is absent from the State; and
- (b) there is no Lieutenant-Governor or the Lieutenant-Governor is unable to act as Administrator or is absent from the State.

#### 3. Appointment of next most senior Judge as Administrator

And, further, We appoint, authorize and require you, the next most senior Judge for the time being present in the State and able to act, to be the Administrator and to administer the government of the State if and so long as—

- (a) there is a vacancy in the office of Governor of the State or the Governor is administering the government of the Commonwealth of Australia or, not having appointed a deputy under Clause XVI of those Letters Patent, is unable to act as Governor or is on leave or is absent from the State; and
- (b) there is no Lieutenant-Governor or the Lieutenant-Governor is unable to act as Administrator or is absent from the State; and

(c) there is no Chief Justice of Western Australia or the Chief Justice of Western Australia is unable to act as Administrator or is absent from the State.

**4. Powers and functions of Administrator**

And, further, We authorize, empower and command you, the Chief Justice of Western Australia or the next most senior Judge, to exercise and perform all or any of the powers, functions and directions contained in those Letters Patent or in future Letters Patent relating to that office of Governor according to any instructions issued by Us in relation to the exercise and performance of those powers, functions and directions that are in force from time to time and according to the laws from time to time in force in the State.

**5. Notice to be taken of this Commission**

And, further, We command all Our Officers, Ministers, and loving subjects in the State and all others whom it may concern, to take due notice of this Commission and to give their ready obedience accordingly.

**6. Previous Commission superseded**

And, further, We declare that this Commission supersedes the Commission under Our Sign Manual and Signet, dated 17 February 1920, appointing the Chief Justice or the Senior Judge for the time being of Western Australia to administer the Government of the State of Western Australia and its dependencies in the events mentioned in the Commission.

Given at Our Court at St James's,  
this 4th day of August 1998,  
in the Forty-seventh Year of Our Reign.

**By Her Majesty's Command**

*Richard Court*

**Premier of Western Australia**

”

---

---

## **WATER**

---

---

**WA301\***

Water Services Coordination Act 1995

## **Eucla Controlled Area (Water Supply Services) Order 1998**

Made by the deputy of the Governor in Executive Council under section 11.

**1. Citation**

This order may be cited as the *Eucla Controlled Area (Water Supply Services) Order 1998*.



## TENDERS

### ZT201\*

MAIN ROADS  
WESTERN AUSTRALIA

*Tenders*

Tenders are invited for the following projects.

Information on these Tenders are available from the Contracts Officer, Supply Branch, Don Aitken Centre, Waterloo Crescent, East Perth.

| Tender No. | Description  | Closing Date |
|------------|--|--------------|
|            |  | 1998         |
| 44C98      | Construction of a dual carriageway for the Mitchell Freeway between Ocean Reef Road and Hodges Drive and widening of both the southbound and northbound carriageways of the Mitchell Freeway between Karrinyup Road and Hepburn Avenue. Works include construction of a precast arch structure over the Northern Suburbs Railway south of Hodges Drive, construction of a dual use path and principal transport route, construction of an underpass under Ocean Reef Road to accommodate the principal transport route, street lighting, traffic light installations and other miscellaneous works ..... | 15 December  |
| 473C98     | Installation of traffic signals at the intersection of Safety Bay Road and Ennis Avenue, City of Rockingham .....  | 27 November  |
| 516C98     | Supply and delivery of cold mix, Goldfields-Esperance Region .....   | 27 November  |
| 517C98     | Provision of Services to Redevelop the Program of Works and Commercial Management Systems .....  | 4 December   |

Executive Director Corporate Services.

### ZT202\*

*Acceptance of Tenders*

| Contract No. | Description  | Successful Tenderer      | Amount \$ |
|--------------|--|--------------------------|-----------|
| 98D17        | Purchase and removal of a 1989 Toyota Coaster Bus, 1994 Toyota Commuter Bus, 1994 Mazda TF3500 Bus, 1993 Fiat FD20 Crawler Tractor, 1968 Trailer Mounted 4500L Howard Porter Fuel Tanker, 1972 Trailer Mounted 4500L Howard Porter Fuel Tanker and 1991 Mazda T4000 Crew Cab Truck plus a 1988 HMF Crane at Welshpool. | Available on Application |           |

Executive Director, Corporate Services.

## PUBLIC NOTICES

### ZZ101

#### PUBLIC TRUSTEE ACT 1941

Notice is hereby given that pursuant to Section 14 of the Public Trustee Act 1941 and amendments the Public Trustee has elected to administer the estates of the undermentioned deceased persons.

Dated at Perth the 13th day of November 1998.

K. E. BRADLEY, Public Trustee,  
565 Hay Street, Perth WA 6000.

Name of Deceased; Address; Date of Death; Date Election Filed.

Hunter, Jean Findlay; Medina; 27 June 1998; 28 October 1998. (DEC 312806 DC4)

Frankish, Thomas Jessie Wetherall; Maddington; 16 August 1998; 28 October 1998. (DEC 313733 DL4)

Stinson, William; Edgewater; 10 September 1998; 28 October 1998. (DEC 314145 DS4)  
Kelly, Grace Mary; Marangaroo; 2 September 1998; 11 November 1998. (DEC 313838 DS4)

---

**ZZ102****TRUSTEES ACT 1962**

## Notice to Creditors and Claimants

Creditors and other persons having claims (to which section 63 of the Trustees Act relates) in respect of the Estates of the undermentioned deceased persons are required to send particulars of their claims to me on or before the 21st December 1998, after which date I may convey or distribute the assets, having regard only to the claims of which I then have notice.

Betty, Beatrice, late of Unit 4, Riverview, Pendleton Street, Collie, died 20/8/98 (DEC 314140 DL4).

Clark, Beryl, late of 5 Stoneman Street, Karrinyup, died 23/10/98 (DEC 314871 DG1).

Dick, Elsie Constance, late of Swan Health Service, Eveline Road, Middle Swan, died 30/3/98 (DEC 312648 DL4).

Gregory, John Henry, late of Mosman Park Nursing Home, 57 Palmerston Street, Mosman Park, died 10/11/98 (DEC 315105 DG4).

Gutteridge, George Musgrove, late of James Brown House, 171 Albert Street, Osborne Park, died 9/9/98 (DEC 315121 DG2).

Hardy, Catherine Macaulay, late of Ascot Nursing Home, 29 Neville Street, Bayswater, died 21/9/98 (DEC 314921 DG2).

Hawton, Erna Mary, late of 8 Darbal Road, Riverside Gardens, Mandurah, died 20/10/98 (DEC 315158 DG4).

Shorter, Isabella, late of Sandstrom Nursing Home, Mount Lawley, died 26/7/98 (DEC 315141 DC2).

Kilmurray, Allan Henry, late of 81 Peebles Road, Floreat, died 13/9/98 (DEC 315003 DS3).

Landells, Violet Josephine, late of Armadale Nursing Home, 21 Angelo Street, Armadale, died 28/10/98 (DEC 315034 DS4).

Lirangi, Robert Paul, also known as Lirangi, Paulo Salvatore and Lirangi, Salvatore Paulo, late of 87 Great Northern Highway, Midland, died 11/8/98 (DEC 313252 DG3).

Locmelis, Janis, late of Como Nursing Home, 36 Talbot Street, Como, died 29/9/98 (DEC 314205 DA3).

Mardle, Alice Kathleen, late of Mt St Camillus Nursing Home, 138 Lewis Road, Forrestfield, formerly of U39 Dale Lodge, The Grove, Armadale, died 9/9/98. (DEC 313859 DS2).

Mosel, Ira Josephine, late of Cabrini Nursing Home, 111 Guildford Road, Maylands, died 22/10/98 (DEC 315022 DC2).

Mouchemore, Victor, late of 1 Parade Street, Albany, died 23/10/98 (DEC 315048 DL3).

Perkins, William Thomas, late of 10 Copeland Gardens, Ocean Reef, died 7/10/98 (DEC 315157 DA3).

Prior, Milton Rule, late of Brightwater Nursing Home, 2 Walter Road, Morley, died 24/10/98 (DEC 315005 DP3).

Ridout, Nora Florence Mary, late of Burswood Private Nursing Home, 16 Duncan Street, Victoria Park, died 7/8/98 (DEC 314446 DS3).

Saunders, Albert Edward, late of Redcliffe Hostel, 19A Manuel Crescent, Redcliffe, died 20/9/98 (DEC 314027 DL4).

Stephens, Ada Evelyn Rose, late of Selby Lodge, Lemnos Street, Shenton Park, formerly of Hollywood Village Nursing Home, 31 William Street, Nedlands, died 27/10/98 (DEC 315032 DA3).

Taylor, Jack Ernest, late of 13A Paltridge Avenue, Carlisle, died 23/9/98 (DEC 315084 DS3).

K. E. BRADLEY, Public Trustee,  
Public Trust Office  
565 Hay Street  
Perth WA 6000  
Telephone 9222 6777.

---

**ZZ201****TRUSTEES ACT 1962**

## NOTICE TO CREDITORS AND CLAIMANTS

Creditors and other persons having claims to which Section 63 of the Trustees Act, 1962 relates in respect of the estate of Caecilie Trahorsch (also known as Cecilie Trahorsch) late of 115 King Road, Bunbury who died on 8th October 1998 are required by the personal representative to send particulars of their claims addressed to the Executor of the Will of Caecilie Trahorsch deceased care of Young & Young, 5 Spencer Street, Bunbury by the 18th day of December 1998 after which date the personal representative may convey or distribute the assets having regard only to the claims of which the personal representative then has notice.



## WESTERN AUSTRALIA

**NURSES ACT 1992**

\*Price: \$6.70 Counter Sales  
Plus Postage on 150 grams

**NURSES RULES 1993**

\*Price: \$6.70 Counter Sales  
Plus Postage on 80 grams

\* Prices subject to change on addition of amendments.

**CLAIMS FOR MISSING ISSUES****(SUBSCRIPTION ITEMS)**

For a claim to be recognised as valid, written notification must be lodged at State Law Publisher, 10 William Street, Perth 6000 within 28 days of publication of the missing item.

Claims lodged after this date will attract payment in full.

### STATE LAW PUBLISHER SUBSCRIPTION CHARGES 1999

All subscriptions run from 1 January to 31 December 1999. Our policy is that no refunds or credits will be given if a subscription is cancelled during the year. The prices quoted include postage by surface mail unless stated otherwise.

**GOVERNMENT GAZETTE**

*Government Gazettes* are published on Tuesday and Friday of each week, unless disrupted by public holidays or unforeseen circumstances.

*Special Government Gazettes* are published periodically.

Subscriptions have been changed this year to enable clients to subscribe to either General or Special Gazettes, or to all Gazettes published.

| Subscription rates:           | \$     |
|-------------------------------|--------|
| <i>General Gazettes only</i>  |        |
| Within WA                     | 395.00 |
| Interstate                    | 420.00 |
| Overseas (airmail)            | 550.00 |
| <i>Special Gazettes only</i>  |        |
| Within WA                     | 415.00 |
| Interstate                    | 440.00 |
| Overseas (airmail)            | 570.00 |
| <i>All Gazettes</i>           |        |
| Within WA                     | 595.00 |
| Interstate                    | 616.00 |
| Overseas (airmail)            | 914.00 |
| Bound Volumes of full year    | 891.00 |
| 1999 Gazettes on CD ROM       | 600.00 |
| 1998 also available on CD ROM | 600.00 |

**INDUSTRIAL GAZETTE**

*Industrial Gazette* is published monthly.

| Subscription rates:           | \$     |
|-------------------------------|--------|
| Within WA                     | 260.00 |
| Interstate                    | 305.00 |
| Overseas (airmail)            | 433.00 |
| 1999 Gazettes on CD ROM       | 260.00 |
| 1998 also available on CD ROM | 260.00 |

**HANSARD**

*Hansard* is printed and distributed weekly during parliamentary sessions.

| Subscription rates:              | \$     |
|----------------------------------|--------|
| Within WA                        | 317.00 |
| Interstate                       | 371.00 |
| Overseas (airmail)               | 731.00 |
| <i>Bound Volumes of Hansard:</i> |        |
| Within WA                        | 500.00 |
| Interstate                       | 533.00 |
| All 1999 Hansards on CD ROM      | 500.00 |

**STATUTES**

| Bound Statutes:              | \$     |
|------------------------------|--------|
| Within WA                    | 223.00 |
| Interstate                   | 246.00 |
| Overseas                     | 251.00 |
| Half Calf Bound Statutes     | 612.00 |
| 1999 Bound Volumes on CD ROM | 223.00 |
| <i>Loose Statutes:</i>       |        |
| Within WA                    | 231.00 |
| Interstate                   | 239.00 |
| Overseas (airmail)           | 346.00 |
| <i>Sessional Bills</i>       |        |
| Within WA                    | 215.00 |
| Interstate                   | 224.00 |
| Overseas (airmail)           | 336.00 |

Data on CD's is fully indexed and is searchable. Other CD ROM products with legislation or other statutory information can be packaged to individual requirements. Prices are available on request.

WESTERN AUSTRALIA

**RETIREMENT VILLAGES ACT 1992**

**Price: \$23.50 Counter Sales**  
**Plus Postage on 695 grams**

**RETIREMENT VILLAGES REGULATIONS 1992**

**\*Price: \$3.90 Counter Sales**  
**Plus Postage on 25 grams**

\* Prices subject to change on addition of amendments.

WESTERN AUSTRALIA

**FREEDOM OF INFORMATION ACT 1992**

**\*Price: \$15.50 Counter Sales**  
**Plus Postage on 365 grams**

\* Prices subject to change on addition of amendments.

WESTERN AUSTRALIA

**YOUNG OFFENDERS ACT 1994**

**\*Price: \$15.50 Counter Sales**  
**Plus Postage on 300 grams**

**YOUNG OFFENDERS REGULATIONS 1995**

**\*Price \$3.90 Counter Sales**  
**Plus Postage on 65 grams**

\*Prices subject to change on addition of amendments.

WESTERN AUSTRALIA

**THE CRIMINAL CODE**

(Reprinted as at 17 December 1993)

**\*Price: \$44.30 Counter Sales**  
**Plus Postage on 900 grams**

\* Prices subject to change on addition of amendments.

# PERTH OBSERVATORY



THE W.A. SPECIALISTS IN  
ASTRONOMICAL

Research & Educational Astronomy

PUBLIC TOURS (DAY & NIGHT)

FIELD NIGHTS, LECTURES

Astronomical Information

Astronomical Handbook

Sun rise & set; Moon rise & set

Legal advice

Chronometer calibration

Astronomical souvenirs

*SERVING WESTERN AUSTRALIA SINCE 1896*

WALNUT ROAD, BICKLEY 6076  
TELEPHONE 9293 8255 FAX 9293 8138

ASTRONOMY IS LOOKING UP

## CONTENTS

## SUBSIDIARY LEGISLATION

|  | Page    |
|--|---------|
| Bulk Handling Act 1967—Bulk Handling (Foundation Toll and Port Equipment Toll)<br>Order 1998 .....     | 6263    |
| Electoral Act 1907—Electoral Amendment Regulations 1998 .....  | 6264-5  |
| Health Act 1911—Shire of Dowerin Health Local Laws 1998 .....  | 6278-9  |
| Land Administration Act 1997—Land Administration Amendment Regulations 1998 .....                      | 6267-8  |
| Local Government Act 1995—<br>Local Government (Elections) Amendment Regulations 1998 .....            | 6275-7  |
| Public Property Local Law—No. 2 of 1998 .....  | 6268-74 |
| Water Services Coordination Act 1995—Eucla Controlled Area (Water Supply Services)<br>Order 1998 ..... | 6289-90 |

## GENERAL CONTENTS

|                                       | Page    |
|---------------------------------------|---------|
| Agriculture .....                     | 6263-4  |
| Electoral Commission .....            | 6264-5  |
| Family and Children's Services .....  | 6265    |
| Health .....                          | 6265-6  |
| Justice .....                         | 6267    |
| Land Administration .....             | 6267-8  |
| Local Government .....                | 6268-82 |
| Planning .....                        | 6283-8  |
| Premier and Cabinet .....             | 6288-9  |
| Public Notices—Deceased Estates ..... | 6291-2  |
| Tenders—Main Roads .....              | 6291    |
| Water .....                           | 6289-90 |

