

**WESTERN
AUSTRALIAN
GOVERNMENT
Gazette**

377



PERTH, TUESDAY, 1 FEBRUARY 2000 No. 22

PUBLISHED BY AUTHORITY JOHN A. STRIJK, GOVERNMENT PRINTER AT 3.30 PM

CONTENTS

PART 1

	Page
Architects Act 1921—Architects' Board of Western Australia Amendment By-laws 1999	379-80
Health Act 1911—Shire of East Pilbara Health Local Laws 1999	380-1
Local Government Act 1995—	
City of Melville—Local Laws Relating to Outdoor Eating Areas	382
City of Melville—Local Law Relating to Hawkers, Stallholders and Trading in Public Places	382
Rail Safety Act 1998—Rail Safety Amendment Regulations 2000	383-4
Taxi Act 1994—Taxi Amendment Regulations 2000	382-3

PART 2

Environmental Protection	385
Fair Trading	385
Local Government	385-7
Public Notices	389
Racing, Gaming and Liquor	388
Transport	388

IMPORTANT COPYRIGHT NOTICE

© State of Western Australia

This work is copyright. Apart from any use as permitted under the *Copyright Act 1968*, no part may be reproduced by any process without written permission from the Government Printer, State Law Publisher. Inquiries should be directed to the Manager Sales & Editorial, State Law Publisher, 10 William St, Perth 6000.

PUBLISHING DETAILS

The Western Australian *Government Gazette* is published by State Law Publisher for the State of Western Australia on Tuesday and Friday of each week unless disrupted by Public Holidays or unforeseen circumstances (changes to this arrangement will be advertised beforehand on the inside cover).

Special *Government Gazettes* containing notices of an urgent or particular nature are published periodically.

The following guidelines should be followed to ensure publication in the *Government Gazette*.

- Material submitted to the Executive Council prior to gazettal will require a copy of the signed Executive Council Minute Paper and in some cases the Parliamentary Counsel's Certificate.
- Copy should be received by the Manager (Sales and Editorial), State Law Publisher no later than 12 noon on Wednesday (Friday edition) or 12 noon on Friday (Tuesday edition).

Postal address:
State Law Publisher
P.O. Box 8448,
Perth Business Centre 6849

Delivery address:
State Law Publisher
Ground Floor,
10 William St. Perth, 6000
Telephone: 9321 7688 Fax: 9321 7536

- Lengthy or complicated notices should be forwarded early to allow for preparation. Failure to observe this request could result in the notice being held over.

If it is necessary through isolation or urgency to fax copy, confirmation is not required by post. *If original copy is forwarded later and published, the cost will be borne by the advertiser.*

ADVERTISING RATES AND PAYMENTS

EFFECTIVE FROM 1 JULY 1999.

Deceased Estate notices, (per estate)—\$17.80

Real Estate and Business Agents and Finance Brokers Licences, (per notice)—\$41.50

Other articles in Public Notices Section—\$41.50 (except items of an exceptionally large nature. In these instances arrangements will be made for pricing the notice at time of lodging).

All other Notices

Per Column Centimetre—\$8.20

Bulk Notices—\$154.00 per page

Clients who have an account will be invoiced for advertising charges.

Clients without an account will need to pay at time of lodging the notice.

PUBLISHING ALTERATIONS

Periodically the normal *Gazette* publishing times need to be altered to cater for disruption caused by public holidays.

- Easter and Christmas holidays cause disruption each year.
- Australia Day and Anzac Day cause disruption when they fall on a Tuesday or Friday.

In these instances, notices warning of the change are generally published on page 2 for approximately 4 weeks prior to the date.

Readers are urged to check *Gazettes* accordingly, prior to contacting State Law Publisher.

JOHN A. STRIJK, Government Printer.

— PART 1 —

CONTRACT AND MANAGEMENT SERVICES

CE301*

Architects Act 1921

Architects' Board of Western Australia Amendment By-laws 1999

Made by the Architects' Board of Western Australia.

1. Citation

These by-laws may be cited as the *Architects' Board of Western Australia Amendment By-laws 1999*.

2. The by-laws amended

The amendments in these by-laws are to the *Architects' Board of Western Australia By-laws 1965**.

[* Reprinted as at 30 March 1989.

For amendments to 21 December 1999 see 1998 Index to Legislation of Western Australia, Table 4, p. 19.]

3. By-law 31 amended

By-law 31 is amended as follows:

- (a) in paragraph (a) by deleting "\$85" and inserting instead —
" \$100 ";
- (b) in paragraph (b) by deleting "\$170" and inserting instead —
" \$200 ";
- (c) in paragraph (c) by deleting "\$50.00" and inserting instead —
" \$75 ".

4. By-law 41 amended

By-law 41 is amended as follows:

- (a) in paragraph (a) by deleting "\$320" and inserting instead —
" \$550 ";

- (b) in paragraph (b) by deleting “\$160” and inserting instead —
“ \$250 ”;
- (c) in paragraph (c) by deleting “\$220” and inserting instead —
“ \$350 ”.

The Common Seal of the)
Architects’ Board of Western)
Australia was at the time of the)
above resolution affixed in the)
presence of —)

BRIAN WRIGHT, Chairman.
JOAN McINTYRE, Registrar.

Confirmed by the Governor,

ROD SPENCER, Clerk of the Executive Council.

LOCAL GOVERNMENT

LG301*

HEALTH ACT 1911

SHIRE OF EAST PILBARA HEALTH LOCAL LAWS 1999

Made by the Council of the Shire of East Pilbara under section 342 of the *Health Act 1911* in accordance with subdivision 2 of division 2 of part 3 of the *Local Government Act 1995*.

Citation

1. These local laws may be cited as the “*Shire of East Pilbara Health Local Laws 1999*”.

Incorporation by Reference

2. (i) In these local laws, “The Shire of Leonora Health Local Laws 1999”;
- (a) means *The Shire of Leonora Health Local Laws 1999* published in the *Government Gazette*, special edition number 56, on the 9 April 1999; and
- (b) does not include any amendments that might be made to those Local Laws
- (ii) Subject to the modifications set out in the Schedule, *The Shire of Leonora Health Local Laws 1999* are incorporated with and form part of these Local Laws.

Repeal

3. (1) The Health Local Laws adopted by the Shire of East Pilbara and published in the *Government Gazette* on the 2 October 1987 and amended from time to time, are repealed; and

(2) The Eating House Local Laws of the Shire of East Pilbara purported to have been made and published in the *Government Gazette* on the 13 May 1983 and amended from time to time, are revoked.

SCHEDULE

Modifications to *The Shire of Leonora Health Local Laws 1999*

Item	Sections Affected	Description
1.	1.1	Delete Section 1.1 and substitute the following— “1.1 These local laws may be cited as the ‘ <i>Shire of East Pilbara Health Local Laws 1999</i> .’”
2.	1.2	Delete Section 1.2
3.	1.3(1) and Schedules 1-11	Delete “Shire of Leonora” wherever it occurs and substitute “Shire of East Pilbara”.

Item	Sections Affected	Description
4.	2.2.1(2)	Delete Subsection 2.2.1(2).
5.	2.2.2(1)(d)	Delete Subsection 2.2.2(1)(d).
6.	2.2.4(2)(c)(i)	Delete the word 'millilitres' before the word 'deep' and substitute the word 'millimetres'.
7.	2.2.4(4)(a)	After the words 'requirement of ', insert the words 'the Office of Energy and'.
8.	2.2.4(5)	Delete the first line and substitute the words "Where mechanical extraction is provided in a kitchen, the exhaust air shall be-".
9.	3.1.1	Insert the missing section title " Dwelling House Maintenance ".
10.	3.1.2(b)	Delete "street".
11.	3.5.1(2)(c)	Delete the words "prescribed in Schedule (12)" and substitute the words "as fixed from time to time by Council under section 344C of the Act".
12.	4.2.13	Delete the words "Town Site of Leonora is" and substitute "Town Sites of Newman, Marble Bar and Nullagine are".
13.	5.1.3	Make the existing text subsection (1), then delete the first word "An" and substitute "Subject to subsection (2), an". Next insert "smoke," before "dust". Then insert a subsection (2) as follows— "(2) Subsection (1) does not apply to smoke from the chimney of a private dwelling house."
14.	5.2.4(5)(b)	Delete the words "provide a shelter or an enclosure to be" and substitute the words "ensure every shelter and enclosure is".
15.	5.5.3(1)(a)	Delete the word "sloping" and substitute the word "sloping".
16.	5.7.1 to 5.7.3	Delete " Division 7—Car Parks. ".
17.	6.2.2(4)	Insert the word "to" before the word "be".
18.	6.5.2(c)(ii)	Delete the first word "removed" and substitute the word "remove".
19.	8.1.3(c)(i)	Delete the words "prescribed in Schedule(12)" and substitute the words "as fixed from time to time by Council under section 344C of the Act".
20.	8.1.5(b)	Delete the words "prescribed in Schedule(12)" and substitute the words "as fixed from time to time by Council under section 344C of the Act".
21.	8.2.2(b)	Delete the word " <i>Regulation</i> " and substitute the word " <i>Regulations</i> ".
22.	8.2.11(8)(c)	Delete subsection (8)(c) and substitute— "(c) a lodger or other person does not smoke in any dormitory, kitchen, dining room or other enclosed public place, within a short term hostel or recreational campsite."
23.	Schedules 5 & 7	In each schedule delete the prefix "19" in the line provided for entering the date of signature.
24.	Schedule 12	Delete Schedule 12.

Passed at a meeting of the Council of the Shire of East Pilbara held on Friday, 10th December 1999.

The Common Seal of the Shire of East Pilbara was hereunto affixed in the presence of—

M. LEE, President.
ALLEN COOPER, Chief Executive Officer.

Dated this 22nd day of December 1999.

Consented to—

Dr VIVIENNE P. DAWES, delegate of Executive Director, Public Health.

Dated this 12th day of January 2000.

LG302***LOCAL GOVERNMENT ACT 1995***CITY OF MELVILLE*

LOCAL LAW RELATING TO OUTDOOR EATING AREAS

Under the provisions of the Local Government Act 1995 and by all other powers, the Council of the City of Melville resolved to make the following amendments on 20 July 1999.

SCHEDULE 1

Repeal Sections A1, A2, and A3, and insert—

A1 Licence Application and Renewal Fee as determined from time to time by resolution of council and

A2 charges to be paid for use of the land in addition to the licence fee—as determined from time to time by resolution of Council and in accordance with Section 6:16 (2) (a) of the Local Government Act 1995.

Dated this 21st day of December 1999.

JOHN McNALLY, Chief Executive Officer.

LG303**LOCAL GOVERNMENT ACT 1995***CITY OF MELVILLE*

LOCAL LAW RELATING TO HAWKERS, STALLHOLDERS AND TRADING IN PUBLIC PLACES

Under the provisions of the Local Government Act 1995 and by all other powers, the Council of the City of Melville resolved to make the following amendments on 20 July 1999.

SCHEDULE 4

(Fee and Charges)

Repeal Section 2, and insert a new Section 2 as follows—

Licence Fee: As determined from time to time by resolution of the Council.

All Stalls: Additional annual charges for the use of the land established in accordance with section 6:16 (2) (A) of the Local Government Act 1995.

Dated this 21st day of December 1999.

JOHN McNALLY, Chief Executive Officer.

TRANSPORT

TR301*

Taxi Act 1994

Taxi Amendment Regulations 2000

Made by the Governor in Executive Council.

1. Citation

These regulations may be cited as the *Taxi Amendment Regulations 2000*.

2. Regulation 6 amended

Regulation 6(2) of the *Taxi Regulations 1995** is amended by deleting “0.14” and inserting instead —

“ 0.37 ”.

[* Reprinted as at 12 December 1997.

For amendments to 13 January 2000 see 1998 Index to Legislation of Western Australia, Table 4, p. 300.]

By Command of the Governor,

ROD SPENCER, Clerk of the Executive Council.

TR302

Rail Safety Act 1998

Rail Safety Amendment Regulations 2000

Made by the Governor in Executive Council.

1. Citation

These regulations may be cited as the *Rail Safety Amendment Regulations 2000*.

2. Regulation 5 amended

(1) Regulation 5 of the *Rail Safety Regulations 1999** is amended as follows:

- (a) by inserting before “Under” the subregulation designation “(1)”;
 - (b) by deleting the full stop after paragraph (c) and inserting instead —
 - “
 - ;
 - (d) an established Pilbara iron ore railway as defined in subregulation (2);
 - (e) any extensions to, or alterations of, an established Pilbara iron ore railway that were made after the commencement of the *Rail Safety Amendment Regulations 2000*.

”.

- (2) At the end of regulation 5 the following subregulation is inserted —

“

- (2) For the purposes of subregulation (1), a railway is an established Pilbara iron ore railway if —
- (a) it is located wholly or substantially in one or more of the local government districts of Ashburton, East Pilbara, Port Hedland and Roebourne;
 - (b) it was in operation at the time of commencement of the *Rail Safety Amendment Regulations 2000*;
 - (c) it was, at that time, and continues to be, operated by a person who mines iron ore; and
 - (d) it was, at that time, and continues to be, used wholly or substantially for the transportation of iron ore mined by or on behalf of that person.

”.

[* *Published in Gazette 2 February 1999, pp. 373-95.*]

By Command of the Governor,

ROD SPENCER, Clerk of the Executive Council.

— PART 2 —

ENVIRONMENTAL PROTECTION

EP401***ENVIRONMENTAL PROTECTION ACT 1986****NOTICE OF THE REVISED DRAFT ENVIRONMENTAL PROTECTION (GOLDFIELDS RESIDENTIAL AREAS) (SULPHUR DIOXIDE) POLICY 2000**

The Environmental Protection Authority (EPA) has prepared a revised draft *Environmental Protection (Goldfields Residential Areas) (Sulphur Dioxide) Policy 2000*. The policy provides ambient air quality limits and standards for the concentrations of sulphur dioxide in residential areas of the Goldfields region.

In accordance with section 28 (c) of the *Environmental Protection Act 1986*, the EPA gives notice that the revised draft *Environmental Protection (Goldfields Residential Areas) (Sulphur Dioxide) Policy 2000* has been submitted to the Minister for the Environment and is available for public inspection during normal business hours at the following Department of Environmental Protection offices—

- the public reading room, 8th Floor, 141 St Georges Terrace, Perth;
- the premises of the Department at Viscovich House, 377 Hannan Street, Kalgoorlie, Western Australia 6430;
- the premises of the Department at SGIO Building, Welcome Road, Karratha, Western Australia 6714;
- the premises of the Department at 165 Gilmore Avenue, Kwinana, Western Australia 6167;
- the premises of the Department at 10th Floor, Bunbury Tower, 61 Victoria Street, Bunbury, Western Australia, 6231; and
- the premises of the Department at 5 Burges Street, Geraldton, Western Australia, 6530.

For further enquiries telephone Julie Tilleke (Department of Environmental Protection) on 9222 7000.

FAIR TRADING

FT401**CHARITABLE COLLECTIONS ACT 1946**

I, Cheryl Edwardes, being the Acting Minister administering the Charitable Collections Act 1946, acting in the exercise of the powers conferred by subsection (3) of section 12 of that Act, hereby give notice that I have revoked the licence of the organisations listed below—

- Brain Foundation (Western Australia) Limited
- Friends of Kingsley Homes of Peace
- Nurses Memorial Centre
- Resources Unit for Children with Special Needs Inc
- Victoria Park Youth Accommodation (Inc)
- West Australian Epilepsy Association (Inc)
- Esperance Community Nursing Home (Inc)

Dated this 25th day of January 2000.

CHERYL EDWARDES (MRS) MLA, Acting Minister for Fair Trading.

LOCAL GOVERNMENT

LG401***SHIRE OF NORTHAM****Authorised Persons**

It is hereby advised for the purpose of Sections 3.24 and 3.25 of the Local Government Act 1995, the Shire of Northam hereby expressly authorises the Chief Executive Officer, Mr Allan Middleton and the Works Coordinator Mr Ron Van Welie, to exercise powers on behalf of the Shire of Northam. All previous appointments are hereby cancelled.

Mrs Leonie Nunn has been appointed as a Registration Officer and Mr Ron Van Welie as an Authorised Officer, under the provisions of the Dog Act 1976. The appointment of Mr Allen Kenneth Christensen is hereby cancelled.

Mr John Alan Balcombe has been appointed to administer controls under the Dog Act 1976, Litter Act 1979, Local Government Act 1995 and Bush Fires Act 1954 as Ranger, Authorised Officer and Poundkeeper. The appointment of Mr Robert Gordon Fraser is hereby cancelled.

A. J. MIDDLETON, Chief Executive Officer.

LG402

LOCAL GOVERNMENT (MISCELLANEOUS PROVISIONS) ACT 1960

Town of Victoria Park
Closure of Private Street

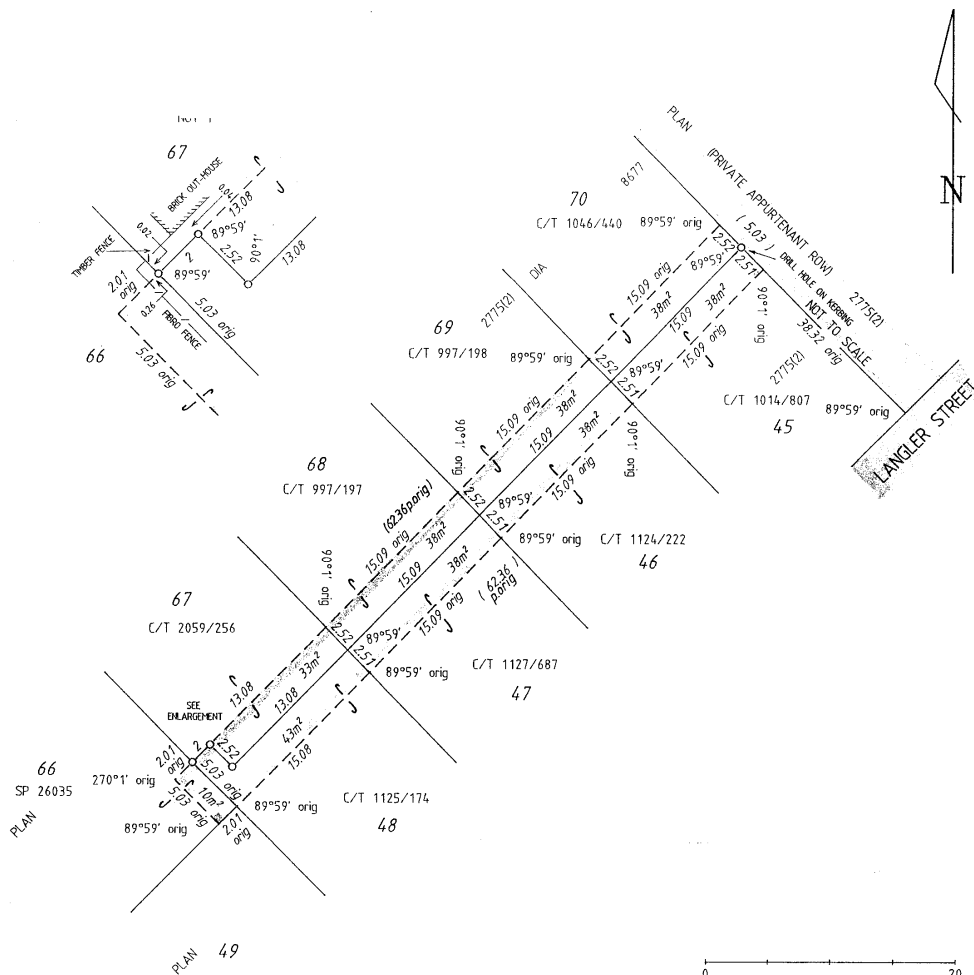
Department of Local Government,
Perth, 1 February 2000.

LG: VI 4-12

It is hereby notified for public information that the Lieutenant-Governor and deputy of the Governor has approved under section 297A of the *Local Government (Miscellaneous Provisions) Act 1960*, the resolution passed by the Town of Victoria Park that portion of the private street which is described as being portion of Canning Location 2, being portion of the land coloured brown on Plan 2775(2), and being part of the land contained in Certificate of Title Volume 1060 Folio 907 be closed, and the land contained therein be amalgamated with adjoining Lots 66-70 Camberwell Street and Lots 45-48 Langler Street, East Victoria Park, as shown in the Schedule hereunder.

JOHN LYNCH, Executive Director,
Department of Local Government.

Schedule
Diagram No. 98925



LG403

LOCAL GOVERNMENT (MISCELLANEOUS PROVISIONS) ACT 1960

Town of Victoria Park

Closure of Private Street

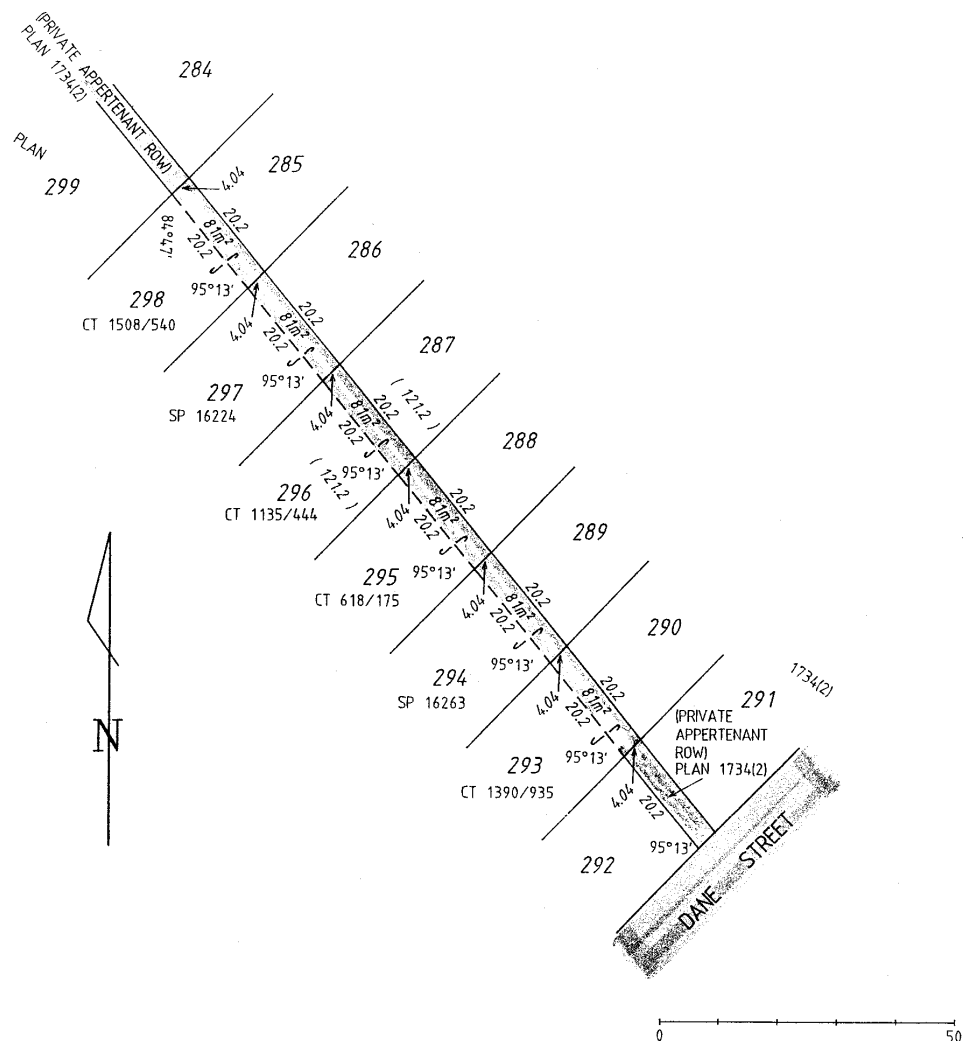
Department of Local Government,
Perth, 1 February 2000.

LG: VI 4-12

It is hereby notified for public information that the Lieutenant-Governor and the deputy of the Governor has approved under section 297A of the *Local Government (Miscellaneous Provisions) Act 1960*, the resolution passed by the Town of Victoria Park that portion of the private street which is described as being part of Canning Location 2, being portion of the land coloured brown on Plan 1734(2) and being part of the land contained in Certificate of Title Volume 282 Folio 47 be closed, and the land contained therein be amalgamated with adjoining Lots 293-298 Beatty Avenue, East Victoria Park, as shown in the Schedule hereunder.

JOHN LYNCH, Executive Director,
Department of Local Government.

Schedule
Diagram No. 98926



RACING, GAMING AND LIQUOR

RA401**LIQUOR LICENSING ACT 1988**

SUMMARY OF LIQUOR LICENSING APPLICATIONS

The following is a summary of applications received under the Liquor Licensing Act 1988 and required to be advertised. Any person wishing to obtain more details about any application, or about the objection process, should contact the Liquor Licensing Division, 1st Floor, Hyatt Centre, 87 Adelaide Terrace, Perth, Telephone: (08) 9425 1888, or consult a solicitor or relevant industry organisation.

App. No.	Applicant	Nature of Application	Last Date for Objections
APPLICATIONS FOR THE GRANT OF A LICENCE			
7461/1999	Noel Francis Smith and Jozefa Smith	Application for the grant of a Special Facility licence in respect of premises situated in Karnup and known as Munja Gardens Function Centre.	20/2/2000
7221/1999	Wayne Thomas Oliver and Wendy Margaret Oliver	Application for the grant of a Liquor Store licence in respect of premises situated in Dandaragan Store and known as Dandaragan Store.	24/2/2000

This notice is published under section 67(5) of the Liquor Licensing Act 1988.

G. B. AVES, Director of Liquor Licensing.

TRANSPORT

TR401**PORT AUTHORITIES ACT 1999**

Office of the Minister for Transport,
Perth.

It is hereby notified for general information that the Hon Minister for Transport has approved—

- the appointment of Mr Michael Burrows as Deputy Chairperson of the Geraldton Port Authority for a three year term to expire on 31 December 2002;
- the reappointment of Mr Kevin Altham as Director of the Geraldton Port Authority for a three year term to expire on 31 December 2002; and
- the reappointment of Mr Bruce Anderson as Director of the Geraldton Port Authority for a three year term to expire on 31 December 2002.

These appointments are in accordance with Sections 7-10 of the Port Authorities Act, 1999.

MURRAY CRIDDLE, Minister for Transport.

TR402**PORT AUTHORITIES ACT 1999**

Office of the Minister for Transport,
Perth.

It is hereby notified for general information that the Hon. Minister for Transport has approved—

- the reappointment of Mr James Gray as Director of the Esperance Port Authority for a three year term to expire on 31 December 2002; and
- the reappointment of Mr Ian Burston as Director of the Esperance Port Authority for a three year term to expire on 31 December 2002.

These appointments are in accordance with Sections 7-10 of the Port Authorities Act, 1999.

MURRAY CRIDDLE, Minister for Transport.

PUBLIC NOTICES

ZZ101**PUBLIC TRUSTEE ACT 1941**

Notice is hereby given that pursuant to Section 14 of the Public Trustee Act 1941, and amendments the Public Trustee has elected to administer the estates of the undermentioned deceased persons.

Dated at Perth the 21st day of January 2000.

A. R. McLAREN, Public Trustee,
565 Hay Street, Perth WA 6000.

Name of Deceased; Address; Date of Death; Date Election Filed.

Thomas, Missie; Derby; 21/7/99; 6/12/99. (DEC 321342 DP4)
Schernbrucker, Emily; Rivervale; 23/11/96; 10/12/99. (DEC 323241 DG2)
Murray, Norris Harry; Gwelup; 15/11/99; 23/12/99. (DEC 323875 DL4)
Rea, Rosaline Mary; Duncraig; 15/11/99; 23/12/99. (DEC 324005 DC4)
Barry, Inez Ellen; Pinjarra; 24/11/99; 20/12/99. (DEC 324032 DL4)
Heaton, Alexander Cecil; Glenmore VIC; 15/6/99; 5/1/00. (DEC 323058 DS4)
Corkery, Vincent Edward; Kalgoorlie; 10/9/99; 5/1/00. (DEC 323002 DG4)
Stack, Nellie; Koongamia; 21/11/99; 6/1/00. (DEC 324165 DC4)
Powell, Colin Robert; Busselton; 7/11/99; 10/1/00. (DEC 323824 DP4)
Burkitt, John Alan; Subiaco; 12/9/99; 13/1/00. (DEC 324659 DG4)

ZZ201**TRUSTEES ACT 1962**

Statutory Notice to Creditors
Administration Act 1903

Creditors to the estate of John Justin Hartley, late of 16 Perham Crescent, Leda 6170. Send claim particulars within one month of this publication to; The Administrator, 30 Skottowe Parkways, Parmelia 6167. After which the estate will be distributed as per the Act, having regard only to claims of which they have notice.

ZZ202**TRUSTEES ACT 1962**

Emilio Della Pona, late of 500 Mundaring Weir Road, Kalamunda in the State of Western Australia, orchardist deceased.

Creditors and other persons having claims (to which Section 63 of the Trustees Act 1962, relates) in respect of the estate of the deceased who died on 22 September 1999 are required by the personal representative Peter Della Pona, to send particulars of their claims to him care of Talbot & Olivier Barristers & Solicitors, Level 10, 55 St George's Terrace, Perth by the 10th of March 2000 after which date the personal representative may convey or distribute the assets having regard to the claims of which he then has notice.

TALBOT & OLIVIER, as solicitors for the personal representative.

ZZ203**TRUSTEES ACT 1962**

Notice to Creditors and Claimants of Frederick William Alfred Noack, late of 514/31 Williams Road, Nedlands, Western Australia. Creditors and other persons having claims (to which Section 63 of the Trustees Act 1962 relates) in respect of the estate of the deceased who died on 19 December 1999, are required by the Trustee ANZ Executors & Trustee Company Limited (ACN 006 132 332) of Level 9, Allendale Square, 77 St George's Terrace, Perth WA 6000 to send particulars of their claim to him by 4th March 2000 after which the Trustee may convey or distribute the assets having regard only to the claims he then has notice

NOW AVAILABLE ! !

Order your Bound Volumes of Government Gazette

1999

An attractively presented set of 4 Bound Volumes
of Government Gazette

For Government Departments and private firms who presently arrange binding for their copies of Government Gazettes, the State Law Publisher is now offering a subscription covering 4 Quarterly Volumes at a cost of \$891.00.

The Gazettes will be bound in black cloth with gold foil lettering on the spine and personalised by the addition of the client's name in gold lettering on the front cover.

PLEASE NOTE

On the rare occasion where extra gazettes are published in one quarter, a fifth volume may be required. In this instance the extra cost involved will be borne by the State Law Publisher and not passed on to clients.

For further information please contact:

State Law Publisher

Telephone: 9321 7688



SafetyLine

Workplace Safety on the Internet

Information on solutions to work safety and health challenges has been delivered to your workplace.

Go to the World Wide Web on the Internet on your computer and contact <http://www.wt.com.au/safetyline>

Help yourself to the information WorkSafe Western Australia has put there to help you.

For further information call (08) 9327 8777.

Go on-line to SafetyLine



CUSTOMER
FOCUS
WESTERN AUSTRALIA

CLAIMS FOR MISSING ISSUES (SUBSCRIPTION ITEMS)

For a claim to be recognised as valid, written notification must be lodged at State Law Publisher, 10 William Street, Perth 6000 within 28 days of publication of the missing item.

Claims lodged after this date will attract payment in full.

STATE LAW PUBLISHER

SUBSCRIPTION CHARGES 2000

All subscriptions are for the period from 1 January to 31 December 2000. Subject to certain limitations, refunds may be allowed if a subscription is cancelled during the year. The prices quoted include postage by surface mail unless stated otherwise.

PLEASE NOTE: A Goods and Services charge (GST) will be applicable to all goods and services supplied after 30 June 2000. Clients will be sent an additional invoice for these charges when details are finalised.

GOVERNMENT GAZETTE

General *Government Gazettes* are published on Tuesday and Friday of each week, unless disrupted by public holidays or unforeseen circumstances.

Special *Government Gazettes* are published periodically.

All Gazettes	\$
Within WA	649
Interstate	673
Overseas (airmail)	1012
Bound Volumes of full year	894

Electronic Gazette Online

(includes all *Gazettes* from Jan 1998)

Existing hard copy subscriber	150
Electronic Subscription only	500

<i>1999 Gazettes on CD ROM</i>	600
<i>1998 Gazettes on CD ROM</i>	600

INDUSTRIAL GAZETTE

Industrial Gazette is published monthly.

	\$
Within WA	261
Interstate	311
Overseas (airmail)	435

<i>1999 Gazettes on CD ROM</i>	260
<i>1998 Gazettes on CD ROM</i>	260

HANSARD

Hansard is printed and distributed weekly during parliamentary sessions.

	\$
Within WA	416
Interstate	514
Overseas (airmail)	557

Bound Volumes of Hansard

Within WA	502
Interstate	535
<i>1999 Hansards on CD ROM</i>	500

STATUTES

Bound Statutes

Bound volumes are posted during March of the following year.

	\$
Within WA	224
Interstate	247
Overseas	252
Half Calf Bound Statutes	615

<i>1999 Bound Volumes on CD ROM</i>	223
<i>1998 Bound Volumes on CD ROM</i>	223

Loose Statutes

Statutes are posted weekly as they become available

	\$
Within WA	239
Interstate	247
Overseas (airmail)	354

Sessional Bills

Bills are posted weekly as they become available

	\$
Within WA	330
Interstate	344
Overseas (airmail)	515

Electronic Statutes Online

Includes all Acts, Regulations, Bills, Acts by year, Index to Statutes, Hansard, etc

	\$
1 st user	600
2 nd and each additional user	300

Data on CD's is fully indexed and is searchable. Other CD ROM products with legislation or other statutory information can be packaged to individual requirements. Prices are available on request.

