



WESTERN AUSTRALIAN GOVERNMENT Gazette

ISSN 1448-949X PRINT POST APPROVED PP665002/00041

3049



PERTH, FRIDAY, 27 JUNE 2008 No. 110

PUBLISHED BY AUTHORITY JOHN A. STRIJK, GOVERNMENT PRINTER AT 3.30 PM

© STATE OF WESTERN AUSTRALIA

CONTENTS

PART 1

	Page
Children's Court of Western Australia Act 1988—Children's Court (Fees) Amendment Regulations (No. 2) 2008	3070
Civil Judgments Enforcement Act 2004—Civil Judgments Enforcement Amendment Regulations (No. 2) 2008	3073
Consumer Affairs Act 1971—Consumer Affairs (Restriction on Supply of Child Restraints for use in Motor Vehicles) Revocation Order 2008.....	3058
District Court of Western Australia Act 1969—District Court (Fees) Amendment Regulations 2008	3062
Evidence Act 1906—Evidence (Video and Audio Links Fees and Expenses) Amendment Regulations 2008	3072
Fair Trading Act 1987—	
Fair Trading (Product Safety Standard) Amendment Regulations 2008	3051
Fair Trading (Product Safety Standard) Amendment Regulations (No. 2) 2008.....	3053
Magistrates Court Act 2004—Magistrates Court (Fees) Amendment Regulations (No. 2) 2008.....	3068
Racing and Wagering Western Australia Act 2003—RWWA Rules of Greyhound Racing 2008.....	3075
State Administrative Tribunal Act 2004—State Administrative Tribunal Amendment Regulations 2008	3064
Supreme Court Act 1935—Supreme Court (Fees) Amendment Regulations (No. 2) 2008....	3059
Water Agencies (Powers) Act 1984—Water Agencies Amendment By-laws 2008.....	3076

PART 2

Agriculture	3085
Deceased Estates	3113
Electoral Commission	3086
Environment	3086
Fisheries	3087
Health	3100
Heritage.....	3100
Justice.....	3101
Local Government.....	3102
Minerals and Petroleum	3103
Parliament.....	3105
Planning and Infrastructure	3106
Racing, Gaming and Liquor.....	3108
Treasury and Finance.....	3109
Water/Sewerage	3110
WorkCover.....	3113

IMPORTANT COPYRIGHT NOTICE

© State of Western Australia

This work is copyright. Apart from any use as permitted under the *Copyright Act 1968*, no part may be reproduced by any process without written permission from the Attorney General for Western Australia. Inquiries in the first instance should be directed to the Government Printer, State Law Publisher, 10 William St, Perth 6000.

PUBLISHING DETAILS

The Western Australian *Government Gazette* is published by State Law Publisher for the State of Western Australia on Tuesday and Friday of each week unless disrupted by Public Holidays or unforeseen circumstances.

Special *Government Gazettes* containing notices of an urgent or particular nature are published periodically.

The following guidelines should be followed to ensure publication in the *Government Gazette*.

- Material submitted to the Executive Council prior to gazettal will require a copy of the signed Executive Council Minute Paper and in some cases the Parliamentary Counsel's Certificate.
- Copy must be lodged with the Sales and Editorial Section, State Law Publisher no later than 12 noon on Wednesday (Friday edition) or 12 noon on Friday (Tuesday edition).

Delivery address:

State Law Publisher
Ground Floor,
10 William St. Perth, 6000
Telephone: 9321 7688 Fax: 9321 7536

- Inquiries regarding publication of notices can be directed to the Editor on (08) 9426 0010.
- Lengthy or complicated notices should be forwarded early to allow for preparation. Failure to observe this request could result in the notice being held over.

If it is necessary through isolation or urgency to fax copy, confirmation is not required by post. *If original copy is forwarded later and published, the cost will be borne by the advertiser.*

WARNING — PRICE INCREASE

ADVERTISING RATES AND PAYMENTS

EFFECTIVE FROM 1 JULY 2008 (Prices include GST).

Deceased Estate notices, (per estate)—\$25.60

Real Estate and Business Agents and Finance Brokers Licences, (per notice)—\$59.70

Other articles in Public Notices Section—\$59.70 minimum charge (except items of an exceptionally large nature. In these instances arrangements will be made for pricing the notice at time of lodging).

All other Notices

Per Column Centimetre—\$11.95

Bulk Notices—\$218.20 per page

Clients who have an account will be invoiced for advertising charges.

Clients without an account will need to pay at time of lodging the notice.

— PART 1 —

CONSUMER AND EMPLOYMENT PROTECTION

CE301*

Fair Trading Act 1987

Fair Trading (Product Safety Standard) Amendment Regulations 2008

Made by the Lieutenant-Governor and deputy of the Governor in Executive Council.

1. Citation

These regulations are the *Fair Trading (Product Safety Standard) Amendment Regulations 2008*.

2. Commencement

These regulations come into operation as follows:

- (a) regulations 1 and 2 — on the day on which these regulations are published in the *Gazette*;
- (b) the rest of the regulations — on the day after that day.

3. The regulations amended

The amendments in these regulations are to the *Fair Trading (Product Safety Standard) Regulations 2001*.

4. Part 24 inserted

After regulation 57 the following Part is inserted —

“

Part 24 — Child restraint systems for use in motor vehicles

58. Terms used in this Part

In this Part —

“**booster cushion**” means a device to raise a child’s position in a motor vehicle and adapt an adult seat belt for use as a child restraint, and which does not have a back above the seating plane;

“**booster seat**” means a device to raise a child’s position in a motor vehicle and adapt an adult seat belt for use as a child restraint, and which has a back above the seating plane;

“**child restraint**” means a restraining device for a child passenger in a motor vehicle that is intended to reduce the risk of bodily injury to the child in the event of a motor vehicle impact;

“**restraint component**” means a device to restrain a child in a child restraint, to anchor a child restraint to a motor vehicle or to restrain a vehicle seat.

59. Product safety standard for child restraint systems for use in motor vehicles

The product safety standard for child restraints, restraint components, booster seats and booster cushions consists of —

- (a) the standard set out in Schedule 16 Division 1 clause 1, as varied by Schedule 16 Division 2; or
- (b) the standard set out in Schedule 16 Division 1 clause 2, as varied by Schedule 16 Division 2; or
- (c) the standard set out in Schedule 16 Division 1 clause 3, as varied by Schedule 16 Division 2.

60. Product to which this Part does not apply

This Part does not apply to a device that is —

- (a) designed for children with a disability; or
- (b) an integrated feature of a motor vehicle.

”.

5. Schedule 16 inserted

After Schedule 15 the following Schedule is inserted —

“

Schedule 16 — Standard for child restraint systems for use in motor vehicles

[r. 59]

Division 1 — Standards

1. AS/NZS 1754:2004

Australian/New Zealand Standard AS/NZS 1754:2004
 “Child restraint systems for use in motor vehicles”
 published by Standards Australia on 8 November 2004 as
 amended by Amendment No. 1 of 29 December 2004.

2. AS/NZS 1754:2000

Australian/New Zealand Standard AS/NZS 1754:2000
 “Child restraint systems for use in motor vehicles”
 published by Standards Australia on 1 February 2000 as
 amended by Amendment No. 1 of 27 April 2001.

3. AS/NZS 1754:1995

Australian/New Zealand Standard AS/NZS 1754:1995
 “Child restraint systems for use in motor vehicles”
 published by Standards Australia on 5 December 1995 as
 amended Amendment No. 1 of 2 May 1997, Amendment
 No. 2 of 9 May 1997 and Amendment No. 3 of 2 May 1998.

Division 2 — Variations to Standards**4. Clause 1.1**

In clause 1.1 —

- (a) delete “passenger cars and their derivatives,”, insert
 instead —
 “ motor vehicles, ”;
- (b) delete the second sentence.

5. Clauses deleted

Delete clauses 2.4, 2.5, 2.6, 3.12, 5.2.2(b) and 6.3(h).

”.

By Command of the Lieutenant-Governor and deputy of the Governor,

G. M. PIKE, Clerk of the Executive Council.

CE302*

Fair Trading Act 1987

Fair Trading (Product Safety Standard) Amendment Regulations (No. 2) 2008

Made by the Lieutenant-Governor and deputy of the Governor in
 Executive Council.

1. Citation

These regulations are the *Fair Trading (Product Safety
 Standard) Amendment Regulations (No. 2) 2008*.

2. Commencement

These regulations come into operation as follows:

- (a) regulations 1 and 2 — on the day on which these regulations are published in the *Gazette*;
- (b) the rest of the regulations — on 1 July 2008.

3. The regulations amended

The amendments in these regulations are to the *Fair Trading (Product Safety Standard) Regulations 2001*.

4. Part 25 inserted

Before Schedule 1 the following Part is inserted —

“

Part 25 — Prams and strollers

61. Terms used in this Part

In this Part —

“**pram**” means a wheeled vehicle with a body of box-like or boat-like shape designed to transport a baby or child weighing up to and including 9 kg primarily in a fully reclined position;

“**stroller**” means a wheeled vehicle designed to transport a child in a seated position, and which may also be adjusted to a semi-reclined or a fully reclined position.

62. Product safety standard for prams and strollers

The product safety standard for prams and strollers consists of the standard set out in Schedule 17 Division 1, as varied by Schedule 17 Division 2.

”.

5. Schedule 17 inserted

After the last Schedule, the following Schedule is inserted —

“

Schedule 17 — Product safety standard for prams and strollers

[r. 62]

Division 1 — AS/NZS 2088:2000

1. AS/NZS 2088:2000

Australian/New Zealand Standard AS/NZS 2088:2000
“Prams and strollers — Safety requirements” published by Standards Australia on 15 December 2000.

Division 2 — Variations to AS/NZS 2088:2000**2. Clause 1**

In clause 1 delete the first sentence and insert instead —

“

This standard specifies safety requirement for prams and strollers.

”.

3. Clauses deleted

Delete the following clauses —

cl. 2	cl. 3	cl. 5
cl. 6	cl. 7.1	cl. 7.2
cl. 7.3	cl. 7.4	cl. 7.5
cl. 7.7	cl. 7.9	cl. 8.1
cl. 8.2	cl. 8.3	cl. 8.4
cl. 8.6.1	cl. 8.8	cl. 8.9
cl. 8.10	cl. 9	cl. 10
App B	App C	App D
App E	App F	App G
App H	App K	App O
App P	App Q	

4. Clause 7.6

In clause 7.6 delete “(See Note to Clause 7.5)” and insert instead —

“

The colour of the parking device actuator shall be red. The surrounding frame work and mouldings shall be a contrasting colour.

”.

5. Clause 7.8

- (1) In clause 7.8.1.1(a) delete “comprising shoulder,” and insert instead —

“ that includes ”.

- (2) In clause 7.8.1.1(a) delete “An example is shown in Figure 3.”.

- (3) In clause 7.8.1.1 delete paragraphs (b), (c) and (d).

- (4) In clause 7.8.1.1(e) delete “Items (a) and (b)” and insert instead —

“ Item (a) ”.

- (5) In clause 7.8.1.1 delete Figure 3.

- (6) Delete clause 7.8.1.2.

- (7) In clause 7.8.1.3 delete “at a point where the seat cannot be pulled away from the frame of the stroller by pulling the restraint straps”.

6. Clause 7.10

At the end of clause 7 insert —

“

7.10 Tether strap

- (a) Vehicles shall be provided with a suitable strap to allow the vehicle to be tethered to the vehicle operator while it is in use.
- (b) The tether strap shall be designed to reduce the possibility of it being a strangulation hazard for infants inside or outside the vehicle.
This includes the following requirements:
- (i) The length of the strap shall be as short as practical.
- (ii) Any loop in the strap shall have a perimeter of less than 360 mm.

”.

7. Clause 8.6.2

- (1) In clause 8.6.2(a) —
- (a) after the paragraph heading insert —

“

The head barrier must comply with either subparagraph (i) or subparagraph (ii).

”;

- (b) before “When tested” insert “(i)”;
- (c) in paragraph (a) delete “(See also note to Clause 7.9.)”;
- (d) at the end of paragraph (a) insert —

“

- (ii) When tested in accordance with the following procedures the test ball shall not fall out of the seat unit.

Recline the backrest of the seat unit to the most reclined position. Attach, according to the manufacturer’s instructions, the textile parts intended to retain the child (including the rear part of the hood and aprons).

Fix the vehicle to a plane inclined to 45° with respect to the horizontal and 15° with respect to the perpendicular direction of the longitudinal axis considered when inclining the plane to 45°. The vehicle shall be placed along the longitudinal axis of the plane.

Place a test ball comprising a sphere with a hard smooth surface of diameter 120 mm (± 2 mm) and 5 kg (± 0.1 kg) weight on the centre of the junction

of the seat and backrest of the vehicle and let the ball roll freely. Record whether the test ball falls out of the seat unit.

Repeat the procedure but with an inclination of the plane of 15° to the opposite side of the longitudinal axis.

Repeat the procedure without inclining the plane at 15° but simply reclined at 45° .

”.

(2) In clause 8.6.2(b) —

(a) delete “the following shall also apply:” and insert —

“

the head barrier must either comply with both Items (i) and (ii), or comply with Item (iii).

”;

(b) after Item (ii) insert —

“

(iii) When tested in accordance with the following procedures, if the small torso probe passes through the gap between the handle and the pram/stroller body, the large head probe shall also pass through.

The probes used in this test are made of hard smooth material fitted with suitable handgrips, comprising —

- a small torso probe with dimensions as shown in Figure A below —

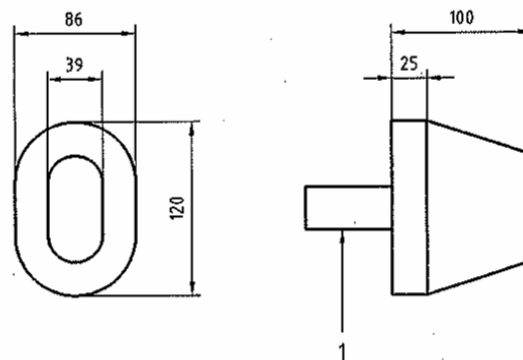


Figure A

Notes to figure A:

- Dimensions are in mm;
- 1 is the handgrip; and
- a large head probe in the shape of a cylinder of diameter 223 mm and length 100 mm, with a handgrip fitted to an end of the cylinder.

These probes have dimensional tolerances of ± 2 mm.

Check whether the small torso probe can pass through the gap between the handle and the end of the pram/stroller body applying a force of 90 N.

Check if the large head probe passes through the opening when pushed along the axis of the handgrip, with a force not exceeding 5 N.

”.

9. Clause 11.1

In clause 11.1 after paragraph (e) insert —

“

- (f) A notice placed on the tether strap, as follows:
WARNING: USE THIS STRAP TO STOP THE PRAM/STROLLER* ROLLING AWAY.

”.

10. Clause 11.2

Delete clause 11.2 and insert instead —

“

11.2 Legibility of marking

The wording shall be clearly legible and the marking specified in clauses 11.1(c), (d), (e) and (f) shall be in characters not less than 2.5 mm high.

”.

”.

By Command of the Lieutenant-Governor and deputy of the Governor,

G. M. PIKE, Clerk of the Executive Council.

CE303*

Consumer Affairs Act 1971

Consumer Affairs (Restriction on Supply of Child Restraints for use in Motor Vehicles) Revocation Order 2008

Made by the Commissioner for Consumer Protection under section 23R(6) of the Act.

1. Citation

This order is the *Consumer Affairs (Restriction on Supply of Child Restraints for use in Motor Vehicles) Revocation Order 2008*.

2. Commencement

This order comes into operation on the day on which the *Fair Trading (Product Safety Standard) Amendment Regulations 2008* regulation 4 comes into operation.

3. Order revoked

The order made under the *Consumer Affairs Act 1971* section 23R(4) and published in the *Gazette* on 5 August 1997 p. 4434 in relation to child restraints for use in motor vehicles is revoked.

Dated: 24 June 2008.

ANNE DRISCOLL, Commissioner for Consumer Protection.

JUSTICE

JU301*

Supreme Court Act 1935

**Supreme Court (Fees) Amendment Regulations
(No. 2) 2008**

Made by the Lieutenant-Governor and deputy of the Governor in Executive Council.

1. Citation

These regulations are the *Supreme Court (Fees) Amendment Regulations (No. 2) 2008*.

2. Commencement

These regulations come into operation as follows:

- (a) regulations 1 and 2 — on the day on which these regulations are published in the *Gazette*;
- (b) the rest of the regulations — on 1 July 2008.

3. The regulations amended

The amendments in these regulations are to the *Supreme Court (Fees) Regulations 2002*.

4. Regulation 5 amended

Regulation 5 is amended as follows:

- (a) by deleting the full stop after paragraph (h) and inserting inserted —

“

; or

- (i) an application under the *Terrorism (Extraordinary Powers) Act 2005*; or
 (j) proceedings under the *Terrorism (Preventative Detention) Act 2006*.

”;

- (b) after each of paragraphs (a) to (f) by inserting —

“ or ”.

5. Schedule 1 amended

- (1) Schedule 1 Division 1 is amended in each item listed in column 1 of the Table to this subregulation by deleting the figure set out in column 2, and inserting instead the figure set out in column 3 opposite that item.

Table

Column 1 Item	Column 2 Delete	Column 3 Insert instead
1, 2(a) and (b), 5	713.00	737.00
1, 2(a) and (b), 5	1 071.00	1 107.00
2(c) and (d)	238.00	246.00
2(c) and (d)	358.00	370.00
3	477.00	493.00
3	716.00	740.00
6 and 7	477.00	493.00
6 and 7	955.00	987.00
8 and 10(a)	167.50	173.00
8 and 10(a)	250.00	259.00
11 (both places)	24.00	25.00
12(a) (both places)	35.50	36.50
12(b) (both places)	59.50	61.50
13(b)(i) (both places)	8.35	8.65
13(b)(ii) (both places)	1.05	1.10
13(c) (both places)	11.50	12.00
13(d) and (e) (4 places)	48.00	49.50
13A(a) (both places)	4.70	4.85
13A(b) (both places)	11.50	12.00
14	238.00	246.00

- (2) Schedule 1 Division 2 is amended in each item listed in column 1 of the Table to this subregulation by deleting the figure set out in column 2, and inserting instead the figure set out in column 3 opposite that item.

Table

Column 1 Item	Column 2 Delete	Column 3 Insert instead
1	119.00	123.00
1	238.00	246.00
2	1 792.00	1 853.00
2	3 584.00	3 706.00
3	238.00	246.00
3	358.00	370.00
4	167.50	173.00
4	250.00	259.00
5	597.00	617.00
5	896.00	926.00
6 and 7	477.00	493.00
6 and 7	955.00	987.00
8 (both places)	24.00	25.00
9(b)(i) (both places)	8.35	8.65
9(b)(ii) (both places)	1.05	1.10
9(c) (both places)	11.50	12.00
9(d) (both places)	48.00	49.50
10(a) (both places)	4.70	4.85
10(b) (both places)	11.50	12.00

6. Schedule 2 amended

Schedule 2 is amended in each item listed in column 1 of the Table to this regulation by deleting the figure set out in column 2, and inserting instead the figure set out in column 3 opposite that item.

Table

Column 1 Item	Column 2 Delete	Column 3 Insert instead
1(a) and (b)	75.50	78.00
1(c)	20.00	20.50
2	41.00	42.50
3(a)	1.05	1.10
3(b)	1.15	1.20
4	40.00	41.50
5(a)	128.50	133.00

7. Schedule 3 amended

Schedule 3 is amended in each item listed in column 1 of the Table to this regulation by deleting the figure set out in

column 2, and inserting instead the figure set out in column 3 opposite that item.

Table

Column 1 Item	Column 2 Delete	Column 3 Insert instead
1(a)	148.50	153.50
1(b)	297.00	307.00
1(c)	595.00	615.00
2 and 2A	48.00	49.50
3(b)	11.50	12.00
4	59.50	61.50
5	24.00	25.00

By Command of the Lieutenant-Governor and
deputy of the Governor,

G. M. PIKE, Clerk of the Executive Council.

JU302*

District Court of Western Australia Act 1969

District Court (Fees) Amendment Regulations 2008

Made by the Lieutenant-Governor and deputy of the Governor in
Executive Council.

1. Citation

These regulations are the *District Court (Fees) Amendment Regulations 2008*.

2. Commencement

These regulations come into operation as follows:

- (a) regulations 1 and 2 — on the day on which these regulations are published in the *Gazette*;
- (b) the rest of the regulations — on 1 July 2008.

3. The regulations amended

The amendments in these regulations are to the *District Court (Fees) Regulations 2002*.

4. Schedule 1 amended

Schedule 1 is amended in each item listed in column 1 of the Table to this regulation by deleting the figure set out in column 2, and inserting instead the figure set out in column 3 opposite that item.

Table

Column 1 Item	Column 2 Delete	Column 3 Insert instead
1, 2(a) and (b), 5	475.00	491.00
1, 2(a) and (b), 5	713.00	737.00
2(c) and (d)	179.00	185.00
2(c) and (d)	237.00	245.00
3	59.50	61.50
3	119.00	123.00
6 and 7	418.00	432.00
6 and 7	836.00	864.00
8 and 10(a)	119.00	123.00
8 and 10(a)	179.00	185.00
11 (both places)	24.00	25.00
11A(a) (both places)	1.05	1.10
11A(b) (both places)	1 092.00	1 129.00
12(a) (both places)	35.50	36.50
12(b) (both places)	59.50	61.50
13(b)(i) (both places)	8.35	8.65
13(b)(ii) (both places)	1.05	1.10
13(c) (both places)	11.50	12.00
13(d) (both places)	48.00	49.50
14(a) (both places)	4.70	4.85
14(b) (both places)	11.50	12.00

5. Schedule 2 amended

Schedule 2 is amended in each item listed in column 1 of the Table to this regulation by deleting the figure set out in column 2, and inserting instead the figure set out in column 3 opposite that item.

Table

Column 1 Item	Column 2 Delete	Column 3 Insert instead
1(a) and (b)	75.50	78.00
1(c)	20.00	20.50
2	41.00	42.50
3(a)	1.05	1.10
3(b)	1.15	1.20
4	40.00	41.50
5(a)	128.50	133.00

By Command of the Lieutenant-Governor and
deputy of the Governor,

G. M. PIKE, Clerk of the Executive Council.

JU303*

State Administrative Tribunal Act 2004

State Administrative Tribunal Amendment Regulations 2008

Made by the Lieutenant-Governor and deputy of the Governor in
Executive Council.

1. Citation

These regulations are the *State Administrative Tribunal
Amendment Regulations 2008*.

2. Commencement

These regulations come into operation as follows:

- (a) regulations 1 and 2 — on the day on which these regulations are published in the *Gazette*;
- (b) the rest of the regulations — on 1 July 2008.

3. The regulations amended

The amendments in these regulations are to the *State Administrative Tribunal Regulations 2004*.

4. Regulation 9 amended

- (1) The Table to regulation 9(1) is amended as follows:
 - (a) by deleting “900.00” in both places where it occurs and inserting instead —
“ 931.00 ”;
 - (b) by deleting “167.50” and inserting instead —
“ 173.00 ”;
 - (c) by deleting “250.00” and inserting instead —
“ 259.00 ”.
- (2) The Table to regulation 9(2) is amended as follows:
 - (a) by deleting “330.00” and inserting instead —
“ 341.00 ”;
 - (b) by deleting “600.00” and inserting instead —
“ 620.00 ”;
 - (c) by deleting “300.00” and inserting instead —
“ 310.00 ”;
 - (d) by deleting “390.00” and inserting instead —
“ 403.00 ”;
 - (e) by deleting “119.00” and inserting instead —
“ 123.00 ”;
 - (f) by deleting “179.00” and inserting instead —
“ 185.00 ”.
- (3) The Table to regulation 9(3) is amended as follows:
 - (a) by deleting “270.00” in both places where it occurs and inserting instead —
“ 279.00 ”;
 - (b) by deleting “94.50” and inserting instead —
“ 97.50 ”;
 - (c) by deleting “142.50” and inserting instead —
“ 147.50 ”.
- (4) The Table to regulation 9(4) is amended as follows:
 - (a) by deleting “60.00” and inserting instead —
“ 62.00 ”;
 - (b) by deleting “120.00” and inserting instead —
“ 124.00 ”;
 - (c) by deleting “58.00” and inserting instead —
“ 60.00 ”;

- (d) by deleting “86.50” and inserting instead —
“ 89.50 ”.

5. Regulation 10 amended

- (1) The Table to regulation 10(2) is amended as follows:
- (a) by deleting “330.00” and inserting instead —
“ 341.00 ”;
 - (b) by deleting “300.00” and inserting instead —
“ 310.00 ”;
 - (c) by deleting “119.00” and inserting instead —
“ 123.00 ”.
- (2) The Table to regulation 10(3) is amended as follows:
- (a) by deleting “600.00” and inserting instead —
“ 620.00 ”;
 - (b) by deleting “390.00” and inserting instead —
“ 403.00 ”;
 - (c) by deleting “179.00” and inserting instead —
“ 185.00 ”.

6. Schedule 5 amended

- (1) Schedule 5 is amended as follows:
- (a) by deleting “*Children and Community Services Act 2004* s. 224(2) or 225(1)”;
 - (b) by deleting “*Chiropractors Act 1964* s. 20A(1)”;
 - (c) by deleting “*Chiropractors Registration Board Rules 1966* r. 12(1)”;
 - (d) by deleting “*Dangerous Goods (Transport) Act 1998* s. 27 or 31”;
 - (e) by deleting “*Explosives and Dangerous Goods Act 1961* s. 52(1)”;
 - (f) by deleting “*Nurses Act 1992* s. 43(2a), 44(3), 59B(4), 59C(1), 63(1)(b), 64(2)(g) or 78”;
 - (g) by deleting “*Occupational Therapists Registration Act 1980* s. 15(1aa), 21(1aa), 23(4), 28(1), 29(1) or 33”;
 - (h) by deleting “*Swan River Trust Act 1988* s. 68(2)”.
- (2) Schedule 5 is amended by inserting the following in the appropriate alphabetical positions —

“

Betting Control Act 1954 s. 27F

Child Care Services Act 2007 s. 30

Chiropractors Act 2005 s. 36(3), 56(1), 59(1), 69(1) or 101

Dangerous Goods Safety Act 2004 s. 67

Emergency Management Act 2005 s. 83

Medical Radiation Technologists Act 2006 s. 36(3), 56(1), 59(1), 69(1) or 99

Nurses and Midwives Act 2006 s. 37(3), 58(1), 61(1), 71(1) or 106

Occupational Therapists Act 2005 s. 36(3), 56(1), 59(1), 69(1) or 101

Swan and Canning Rivers Management Act 2006 s. 31(2), 32(7), 100(1) or 116(2)

Tobacco Products Control Act 2006 s. 46(1)

Trade Measurement Act 2006 s. 81

”.

- (3) Schedule 5 is amended in the entry relating to the *Local Government Act 1995* by inserting after “3.25(5),” —

“ 5.112(2), 5.116(2), 5.117(4), 5.118, 5.125, ”.

7. **Schedule 6 amended**

Schedule 6 is amended by inserting the following in the appropriate alphabetical position —

“

Residential Parks (Long-stay Tenants) Act 2006 s. 7(1)(b), 62(2), 63(1), 64(1), 65(1), 66(2), 67(2), 68(2), 69(2), 70(2), 71(1), 72(1), 73(1), 74, 75(1), 76(1), 77(1) or 82(1)

”.

8. **Schedule 20 amended**

Schedule 20 is amended in each item listed in column 1 of the Table to this regulation by deleting the figure set out in column 2, and inserting instead the figure set out in column 3 opposite that item.

Table

Column 1 Item	Column 2 Delete	Column 3 Insert instead
1(a)	55.00	57.00
1(b)	110.00	113.50
1A	6.25	6.45
2, 3(b) and 3(c)	1.05	1.10
4	10.50	11.00
5, 6 and 7	4.70	4.85
6	46.00	47.50
7	5.20	5.40
8	12.00	12.50
9	27.00	28.00
10	22.00	22.50

By Command of the Lieutenant-Governor and deputy of the Governor,

G. M. PIKE, Clerk of the Executive Council.

JU304*

Magistrates Court Act 2004

Magistrates Court (Fees) Amendment Regulations (No. 2) 2008

Made by the Lieutenant-Governor and deputy of the Governor in Executive Council.

1. Citation

These regulations are the *Magistrates Court (Fees) Amendment Regulations (No. 2) 2008*.

2. Commencement

These regulations come into operation as follows:

- (a) regulations 1 and 2 — on the day on which these regulations are published in the *Gazette*;
- (b) the rest of the regulations — on 1 July 2008.

3. The regulations amended

The amendments in these regulations are to the *Magistrates Court (Fees) Regulations 2005*.

4. Schedule 1 amended

- (1) Schedule 1 Division 1 is amended in each item listed in column 1 of the Table to this subregulation by deleting the figure set out in column 2, and inserting instead the figure set out in column 3 opposite that item.

Table

Column 1 Item	Column 2 Delete	Column 3 Insert instead
2	41.00	42.50
3(a)	1.05	1.10
3(b)	1.15	1.20
4 (both places)	24.00	25.00
4 and 6(b)	59.50	61.50
5(a)	1.05	1.10
5(b)	34 662.00	35 841.00
6(a)	35.50	36.50
7(b)(i)	8.35	8.65
7(b)(ii)	1.05	1.10
7(c)	11.50	12.00

Column 1 Item	Column 2 Delete	Column 3 Insert instead
8(a)	4.70	4.85
8(b)	11.50	12.00

- (2) Schedule 1 Division 1 is amended in item 8 note 1 by deleting “\$16.70” and inserting instead —
“ \$17.25 ”.
- (3) Schedule 1 Division 2 is amended in each item listed in column 1 of the Table to this subregulation by deleting the figure set out in column 2, and inserting instead the figure set out in column 3 opposite that item.

Table

Column 1 Item	Column 2 Delete	Column 3 Insert instead
1	69.00	71.50
1	104.50	108.00
1	177.00	183.00
1	266.00	275.00
1	282.00	292.00
1	424.00	438.00
2	45.00	46.50
2	67.50	70.00
2	82.00	85.00
2	106.00	109.50
2	131.00	135.50
2	169.00	174.50
3	23.00	24.00
3	46.00	47.50
3	35.00	36.00
3	70.00	72.50
3	47.00	48.50
3	94.00	97.00
4	110.00	113.50
4	165.00	170.50
4	199.00	206.00
4	298.00	308.00
4	222.00	230.00
4	333.00	344.00
5 and 6	63.50	65.50
5 and 6	127.50	132.00
5 and 6	111.00	115.00
5 and 6	222.00	230.00
5 and 6	159.00	164.50
5 and 6	318.00	329.00
7 and 8(a)	58.00	60.00

Column 1 Item	Column 2 Delete	Column 3 Insert instead
7 and 8(a)	86.50	89.50
7 and 8(a)	70.00	72.50
7 and 8(a)	105.00	108.50
7 and 8(a)	94.50	97.50
7 and 8(a)	142.50	147.50
9(a)	75.50	78.00
9(b)	75.50	78.00
9(c)	20.00	20.50
10	177.00	183.00
11	69.00	71.50

- (4) Schedule 1 Division 3 is amended in each item listed in column 1 of the Table to this subregulation by deleting the figure set out in column 2, and inserting instead the figure set out in column 3 opposite that item.

Table

Column 1 Item	Column 2 Delete	Column 3 Insert instead
1 and 3(a)	58.00	60.00
2	11.00	11.50
3(b)	75.50	78.00

By Command of the Lieutenant-Governor and
deputy of the Governor,

G. M. PIKE, Clerk of the Executive Council.

JU305*

Children's Court of Western Australia Act 1988

Children's Court (Fees) Amendment Regulations (No. 2) 2008

Made by the Lieutenant-Governor and deputy of the Governor in
Executive Council.

1. Citation

These regulations are the *Children's Court (Fees) Amendment
Regulations (No. 2) 2008*.

2. Commencement

These regulations come into operation as follows:

- (a) regulations 1 and 2 — on the day on which these regulations are published in the *Gazette*;
- (b) the rest of the regulations — on 1 July 2008.

3. The regulations amended

The amendments in these regulations are to the *Children's Court (Fees) Regulations 2005*.

4. Schedule 1 amended

- (1) Schedule 1 Division 1 is amended in each item listed in column 1 of the Table to this subregulation by deleting the figure set out in column 2, and inserting instead the figure set out in column 3 opposite that item.

Table

Column 1 Item	Column 2 Delete	Column 3 Insert instead
2	41.00	42.50
3(a)	1.05	1.10
3(b)	1.15	1.20
4 (both places)	24.00	25.00
4	59.50	61.50
5(a)	35.50	36.50
5(b)	59.50	61.50
6(b)(i)	8.35	8.65
6(b)(ii)	1.05	1.10
6(c)	11.50	12.00
7(a)	4.70	4.85
7(b)	11.50	12.00

- (2) Schedule 1 Division 1 is amended in note 1 to item 7 by deleting “\$16.70” and inserting instead —

“ \$17.25 ”.

- (3) Schedule 1 Division 2 is amended in each item listed in column 1 of the Table to this subregulation by deleting the figure set out in column 2, and inserting instead the figure set out in column 3 opposite that item.

Table

Column 1 Item	Column 2 Delete	Column 3 Insert instead
1	69.00	71.50
2(a)	75.50	78.00
2(b)	75.50	78.00
2(c)	20.00	20.50
3	177.00	183.00

- (4) Schedule 1 Division 3 is amended in each item listed in column 1 of the Table to this subregulation by deleting the figure set out in column 2, and inserting instead the figure set out in column 3 opposite that item.

Table

Column 1 Item	Column 2 Delete	Column 3 Insert instead
1	58.00	60.00
2	11.00	11.50
3(a)	58.00	60.00
3(b)	75.50	78.00

By Command of the Lieutenant-Governor and
deputy of the Governor,

G. M. PIKE, Clerk of the Executive Council.

JU306*

Evidence Act 1906

Evidence (Video and Audio Links Fees and Expenses) Amendment Regulations 2008

Made by the Lieutenant-Governor and deputy of the Governor in
Executive Council.

1. Citation

These regulations are the *Evidence (Video and Audio Links Fees and Expenses) Amendment Regulations 2008*.

2. Commencement

These regulations come into operation as follows:

- (a) regulations 1 and 2 — on the day on which these regulations are published in the *Gazette*;
- (b) the rest of the regulations — on 1 July 2008.

3. The regulations amended

The amendments in these regulations are to the *Evidence (Video and Audio Links Fees and Expenses) Regulations 1999*.

4. Schedule 1 amended

Schedule 1 is amended in each item listed in column 1 of the Table to this regulation by deleting the amount set out in column 2, and inserting instead the amount set out in column 3 opposite that item.

Table

Column 1 Item	Column 2 Delete	Column 3 Insert instead
1(1)	\$64.00	\$66.00
1(2)	\$95.50	\$98.50
2	\$51.00	\$52.50

By Command of the Lieutenant-Governor and
deputy of the Governor,

G. M. PIKE, Clerk of the Executive Council.

JU307*

Civil Judgments Enforcement Act 2004

Civil Judgments Enforcement Amendment Regulations (No. 2) 2008

Made by the Lieutenant-Governor and deputy of the Governor in
Executive Council.

1. Citation

These regulations are the *Civil Judgments Enforcement Amendment Regulations (No. 2) 2008*.

2. Commencement

These regulations come into operation as follows:

- (a) regulations 1 and 2 — on the day on which these regulations are published in the *Gazette*;
- (b) the rest of the regulations — on 1 July 2008.

3. The regulations amended

The amendments in these regulations are to the *Civil Judgments Enforcement Regulations 2005*.

4. Schedule 1 amended

Schedule 1 is amended in each item listed in column 1 of the Table to this regulation by deleting the figure set out in column 2, and inserting instead the figure set out in column 3 opposite that item.

Table

Column 1 Item	Column 2 Delete	Column 3 Insert instead
1	58.00	60.00
1	86.50	89.50
1	94.50	97.50
1	142.00	147.00
2 (both places)	71.50	74.00
2 (both places)	95.50	98.50

5. Schedule 2 amended

Schedule 2 is amended in each item listed in column 1 of the Table to this regulation by deleting the figure set out in column 2, and inserting instead the figure set out in column 3 opposite that item.

Table

Column 1 Item	Column 2 Delete	Column 3 Insert instead
1(a)	29.50	30.50
1(b)	41.00	42.50
1(c)	20.50	21.00
2	75.50	78.00
3	75.50	78.00
4	40.00	41.50
5	4.30	4.50
6(a)	1.05	1.10
6(b)	1.15	1.20
7	141.00	146.00
8	63.50	65.50
11(a)	75.50	78.00
11(b)	75.50	78.00
11(c)	20.00	20.50
12	20.00	20.50
19(b)	11.50	12.00

6. Schedule 3 amended

Schedule 3 is amended in each item listed in column 1 of the Table to this regulation by deleting the figure set out in column 2, and inserting instead the figure set out in column 3 opposite that item.

Table

Column 1 Item	Column 2 Delete	Column 3 Insert instead
1	67.00	69.50
2	27.00	28.00
3, 6 and 10	63.50	65.50
4	157.50	163.00
5	191.50	198.00
7, 8 and 12(b)	40.00	41.50
9	135.50	140.00

By Command of the Lieutenant-Governor and
deputy of the Governor,

G. M. PIKE, Clerk of the Executive Council.

RACING, GAMING AND LIQUOR

RG301

**RACING AND WAGERING WESTERN AUSTRALIA ACT 2003
RWWA RULES OF GREYHOUND RACING 2008**

In accordance with Section 45(1)(c) of the *Racing and Wagering Western Australia Act 2003*, notice is hereby given that the Board of Racing and Wagering WA on 17 March 2008 resolved to amend the RWWA Rules of Greyhound Racing 2008 as follows—

Amendment to Local Rules

Insert Local Rule definition of “Exempted Substance” to read “Ethyloestrenol” when administered orally to a greyhound bitch and where it has been prescribed by a veterinary surgeon for the sole purpose of regulating or preventing oestrus in that bitch is exempted from the definition of a drug.”

Copies of the above rules may be obtained during office hours from the Western Australian Greyhound Racing Association, Cnr, Albany Highway & Station Street, Cannington, WA or Racing and Wagering Western Australia website, www.rwwa.com.au.

RICHARD BURT, Chief Executive Officer.

WATER

WA301*

Water Agencies (Powers) Act 1984

Water Agencies Amendment By-laws 2008

Made by the Minister under section 34(1) of the Act.

Part 1 — Preliminary**1. Citation**

These by-laws are the *Water Agencies Amendment By-laws 2008*.

2. Commencement

These by-laws come into operation as follows:

- (a) by-laws 1 and 2 — on the day on which these by-laws are published in the *Gazette*;
- (b) the rest of the by-laws — on 1 July 2008.

3. Application

Nothing in these by-laws affects the application after 1 July 2008 of a by-law in force before that day insofar as that by-law relates to a fee or charge for a period commencing before that day or to a fee or charge for any matter or thing done before that day.

Part 2 — Carnarvon Irrigation District By-laws 1962 amended**4. The by-laws amended**

The amendments in this Part are to the *Carnarvon Irrigation District By-laws 1962*.

5. Schedule 1 replaced

Schedule 1 is repealed and the following Schedule is inserted instead —

“

Schedule 1 — Minimum fee for testing a meter

[bl. 19(3)(a)]

Meter Size	Fee \$
20-25 mm	88.00
Over 25 mm	actual cost

”.

**Part 3 — *Country Areas Water Supply By-laws 1957*
amended**

6. The by-laws amended

The amendments in this Part are to the *Country Areas Water Supply By-laws 1957*.

7. Schedule 2 replaced

Schedule 2 is repealed and the following Schedule is inserted instead —

“

Schedule 2 — Fees[bl. 49, 66, 66A, 77, 83, 87F,
87G, 96, 97, 98, 100, 101, 104C]

\$

- | | | |
|----|--|-------------|
| 1. | Meter testing — | |
| | Meter size | |
| | 20 or 25 mm | 88.00 |
| | Over 25 mm | actual cost |
| 2. | Minimum fee in respect of turning or cutting off
the water supply | 128.50 |
| | Minimum fee in respect of reduction or restoration
of water supply — | |
| | (a) between 7.00 a.m. and 4.00 p.m. any day
except Saturdays, Sundays and public
holidays | 118.00 |
| | (b) at any other time | 187.00 |
| 3. | (a) Reading of meter | 13.70 |
| | (b) Urgent reading of meter | 46.15 |
| | (c) Electronic lodgment of a combined request
for a single statement, reading of meter and
orders and requisitions | 36.40 |

	\$
(d) Electronic lodgment of a combined request for a single statement, urgent reading of meter and orders and requisitions	68.75
(e) Lodgment other than under paragraph (c) of a combined request for a single statement, reading of meter and orders and requisitions ...	62.55
(f) Lodgment other than under paragraph (d) of a combined request for a single statement, urgent reading of meter and orders and requisitions	94.60
(g) Provision of information other than under paragraphs (a) to (f) involving research or investigation of 15 minutes or more — per hour or part of an hour	69.00
4. Fee under section 43A in respect of land on which it is proposed to —	
(a) construct a new residential building or alter an existing residential building	106.00
	<i>per residential unit</i>
(b) construct or alter a building other than a residential building — an amount based on the cost of the construction or alteration as assessed by the Corporation, of —	
over \$22 500 but not over \$200 000	85.00
over \$200 000 but not over \$500 000	330.00
over \$500 000 but not over \$1 000 000	550.00
over \$1 000 000 but not over \$10 000 000	0.90
	<i>per \$1 000 or part of \$1 000 of construction cost</i>
over \$10 000 000	9 000
	+ 0.25
	<i>per \$1 000 or part of \$1 000 of construction cost above \$10 000 000</i>
5. Supply of copy of, or extract from, records or plans (other than those stored in digital format) under section 102(3) of the <i>Water Agencies (Powers) Act 1984</i> (provided on A4 paper)	13.20
6. Re-sealing of private fire service connection under by-law 98(5)	78.05
7. Fee for relocation of water supply connection (less than 500 mm) —	
(a) where the connection size is —	
20 mm	183.00
25 mm	216.00
40 mm	283.00
50 mm	368.00

		\$
	(b) other sizes, an amount equal to the actual cost of relocation	
8.	(a) Fee for fixing a meter under by-law 77(3)	290.50
	(b) Fee for assessing a meter under by-law 77(5)	207.00
	(c) Fee for assessing a meter and fixing a new meter under by-law 77(6)	270.50
9.	Fee for installation of a temporary building standpipe	111.50
10.	Minimum fee for application for disconnection or reconnection of water supply under by-law 96 — on redevelopment or subdivision	183.00

Part 4 — Country Towns Sewerage By-laws 1952 amended

8. The by-laws amended

The amendments in this Part are to the *Country Towns Sewerage By-laws 1952*.

9. Schedule 2 replaced

Schedule 2 is repealed and the following Schedule is inserted instead —

Schedule 2 — Fees

Division 1 — Plumbing fees

[bl. 29(1)(c) and (1b)(c)]
\$

1.	Fee in respect of a proposal to connect plumbing to the sewer	17.20
----	---	-------

Division 2 — Fees under section 41A

[bl. 29(1)(b)]
\$

2.	In respect of land on which it is proposed to —	
	(a) construct a new residential building or alter an existing residential building	106.00 <i>per residential unit</i>
	(b) construct an outbuilding to a residential building (including a pool, garage or pergola)	31.00 <i>per residential unit</i>
	(c) construct or alter a building other than a residential building — an amount based on the cost of the construction or alteration as assessed by the Corporation, of — up to \$22 500	25.00

	\$
over \$22 500 but not over \$200 000	85.00
over \$200 000 but not over \$500 000	330.00
over \$500 000 but not over \$1 000 000	550.00
over \$1 000 000 but not over \$10 000 000	0.90
	<i>per \$1 000 or part of \$1 000 of construction cost</i>
over \$10 000 000	9 000
	+ 0.25
	<i>per \$1 000 or part of \$1 000 of construction cost above \$10 000 000</i>

Division 3 — Fees for copies of records, plans and diagrams

	[bl. 225]
	\$
3. Supply of copy of, or extract from, records or plans (other than those stored in digital format) under section 102(3) of the <i>Water Agencies (Powers) Act 1984</i> (provided on A4 paper)	13.20
4. Property sewer diagram (per A4 copy)	13.20

Division 4 — Statements and information

	[bl. 224]
	\$
5. Electronic lodgment of a combined request for a copy of any portion of the records kept under section 69A of the <i>Water Agencies (Powers) Act 1984</i> and answers to orders and requisitions in relation to land	36.40
6. Lodgment other than under item 7 of a combined request for a copy of any portion of the records kept under section 69A of the <i>Water Agencies (Powers) Act 1984</i> and answers to orders and requisitions in relation to land	62.55
7. Provision of information other than under items 7 or 8 that involves research or investigation of 15 minutes or more — per hour or part of an hour	69.00

Division 5 — Fees for the provision of plan sheets for preparation of diagrams of property sewer installations

	[bl. 29A(3)]
	\$
8. A4 size (per pad of 25 sheets)	4.95
9. A3 size (per pad of 25 sheets)	8.80
10. A1 size (per sheet)	1.65

**Division 6 — Minimum fees for installation of
sewer junction**

	[bl. 230]
	\$
11. 100 mm sewer junction	360.00
12. 150 mm sewer junction	445.00
	”.

**Part 5 — Metropolitan Water Authority (Miscellaneous)
By-laws 1982 amended**

10. The by-laws amended

The amendments in this Part are to the *Metropolitan Water Authority (Miscellaneous) By-laws 1982*.

11. Schedule 2 replaced

Schedule 2 is repealed and the following Schedule is inserted instead —

“

Schedule 2 — Charges

[bl. 9(1), (2) and (6) and 11(2)]

	\$
1. Meter testing deposit —	
(a) where the meter size is 20-25 mm	88.00
(b) where the meter is any greater size, an amount equal to the actual cost of testing the meter	
2. Charges for fixing water supply and fire fighting connections —	
(a) except within a central business district as described in Schedule 3 where the connection size is —	
20 mm	699.00
25 mm	1 023.00
40 mm	1 560.00
50 mm	1 902.00
80 – 100 mm	3 582.00
150 mm	4 253.00
(b) otherwise, an amount equal to the actual cost of fixing the connection	
3. Charge for —	
disconnection	128.50
reconnection	128.50
4. Charge for relocation of water supply connection (less than 500 mm) —	
(a) where the connection size is —	
20 mm	183.00

	\$
25 mm	216.00
40 mm	283.00
50 mm	368.00
(b) other sizes, an amount equal to the actual cost of relocation	

”.

12. Schedule 6 replaced

Schedule 6 is repealed and the following Schedule is inserted instead —

“

Schedule 6 — Fees

[bl. 9(5) and (5a), 17(2), 21, 22 and 24(1) and (2)]

	\$
1. (a) Reading of meter	13.70
(b) Urgent reading of meter	46.15
(c) Electronic lodgment of a combined request for a single statement, reading of meter and orders and requisitions	36.40
(d) Electronic lodgment of a combined request for a single statement, urgent reading of meter and orders and requisitions	68.75
(e) Lodgment other than under paragraph (c) of a combined request for a single statement, reading of meter and orders and requisitions ...	62.55
(f) Lodgment other than under paragraph (d) of a combined request for a single statement, urgent reading of meter and orders and requisitions	94.60
(g) Provision of information other than under paragraphs (a) to (f) involving research or investigation of 15 minutes or more — per hour or part of an hour	69.00
2. (a) Supply of copy of, or extract from, records or plans (other than those stored in digital format) under section 102(3) of the <i>Water Agencies (Powers) Act 1984</i> (provided on A4 paper)	13.20
(b) Property sewer diagram (per A4 copy)	13.20
3. Hydrant standpipes —	
(a) application fee	92.00
(b) hire fee for a month —	
small metered standpipe	172.50
large metered standpipe	314.00
(c) hire fee for part of a month is as for a month apportioned to reflect the number of days hiring	

		\$
4.	(a) Reconnection	118.00
	(b) Restoration —	
	(i) between 7.00 a.m. and 4.00 p.m. any day except Saturdays, Sundays and public holidays	118.00
	(ii) at any other time	187.00
5.	Fee under section 148 of the <i>Metropolitan Water Supply, Sewerage, and Drainage Act 1909</i> in respect of land on which it is proposed to —	
	(a) construct a new residential building or alter an existing residential building	106.00 <i>per residential unit</i>
	(b) construct an outbuilding to a residential building located in a sewered area (including a pool, garage or pergola)	31.00 <i>per residential unit</i>
	(c) construct or alter a building other than a residential building — an amount based on the cost of the construction or alteration as assessed by the Corporation, of —	
	up to \$22 500 (in a sewered area)	31.00
	over \$22 500 but not over \$200 000	106.00
	over \$200 000 but not over \$500 000	420.00
	over \$500 000 but not over \$1 000 000	680.00
	over \$1 000 000 but not over \$10 000 000	1.10 <i>per \$1 000 or part of \$1 000 of construction cost</i>
	over \$10 000 000	11 000 + 0.30 <i>per \$1 000 or part of \$1 000 of construction cost above \$10 000 000</i>
6.	Fee for application for disconnection or reconnection of water supply under by-law 9(5a) — on redevelopment or subdivision	183.00

Part 6 — *Metropolitan Water Supply, Sewerage and Drainage By-laws 1981* amended

13. The by-laws amended

The amendments in this Part are to the *Metropolitan Water Supply, Sewerage and Drainage By-laws 1981*.

14. By-law 15.4 amended

By-law 15.4.9.2 is amended by deleting “pay meter rent and”.

15. Schedule C replaced

Schedule C is repealed and the following Schedule is inserted instead —

“

Schedule C — Fees

[bl. 6.5, 6.7, 27.3, 30.9]

		\$
1.	Fee in respect of a proposal to connect plumbing to the sewer	17.20
2.	Fee for installation of sewer junction —	
	100 mm sewer junction	360.00
	150 mm sewer junction	445.00
3.	(a) Fee for installing a meter under by-law 6.7.1A.1	290.50
	(b) Fee for assessing a meter under by-law 6.7.1A.3	207.00
	(c) Fee for assessing a meter and installing a new meter under by-law 6.7.1A.4	270.50
4.	Fee for installation of a temporary building standpipe	111.50
5.	Fees for the provision of plan sheets for preparation of diagrams of property sewer installations —	
	(a) A4 size (per pad of 25 sheets)	4.95
	(b) A3 size (per pad of 25 sheets)	8.80
	(c) A1 size (per sheet)	1.65

”.

JOHN KOBELKE, Minister for Water Resources.

— PART 2 —

AGRICULTURE

AG401*

SOIL AND LAND CONSERVATION ACT 1945

APPOINTMENT

Pursuant to section 23 (2b)(d) of the *Soil and Land Conservation Act 1945*, being persons actively engaged in, or affected by, or associated with land use in the District, Garry English, Claire Mitchell and Catherine Field all of Esperance and David Wesley Ford of Myrup are appointed members of the of the Esperance Land Conservation District (*the Committee was established by an Order in Council, published in the Gazette of 6 September 1985 at pp. 3491-3493 and amended in the Gazettes of 20 March 1987 at p. 981, 1 December 1989 at pp. 4441-4442, 25 May 1990 at p. 2389, 21 December 1990 at p. 6217, 30 July 1993 at pp. 4120-4121, 24 June 1994 at p. 2830 and an Amendment Order approved by Executive Council 4 November 1997 {refer to Department of Agriculture reference: 881744V05P00} and amended in the Gazette of 21 June 2002 at p. 2931*). The appointment is for a term ending on 31 August 2008.

ANDREW WATSON, Commissioner of Soil and Land Conservation.

Dated this 13th day of June 2008.

AG402*

SOIL AND LAND CONSERVATION ACT 1945

APPOINTMENT

Under Section 23 of the *Soil and Land Conservation Act 1945*, the following person is appointed a member of the District Committee for the Esperance Land Conservation District, (*the Committee was established by an Order in Council, published in the Gazette of 6 September 1985 at pp. 3491-3493 and amended in the Gazettes of 20 March 1987 at p. 981, 1 December 1989 at pp. 4441-4442, 25 May 1990 at p. 2389, 21 December 1990 at p. 6217, 30 July 1993 at pp. 4120-4121, 24 June 1994 at p. 2830 and an Amendment Order approved by Executive Council 4 November 1997 {refer to Department of Agriculture reference: 881744V05P00} and amended in the Gazette of 21 June 2002 at p. 2931*). The appointment is for a term ending on 31 August 2008—

- (1) pursuant to Section 23(2b)(b) of the Act, Ron (Doc) Reynolds of Esperance is appointed a member of the Committee on the nomination of the Shire of Esperance.
- (2) delete Brian Pearce of Esperance from representing the Shire of Esperance.

ANDREW WATSON, Commissioner of Soil and Land Conservation.

Dated this 13th day of June 2008.

AG403*

SOIL AND LAND CONSERVATION ACT 1945

WAGIN LAND CONSERVATION DISTRICT (APPOINTMENT OF MEMBERS OF DISTRICT COMMITTEE) INSTRUMENT 2008

Made by the Commissioner of Soil and Land Conservation.

1. Citation

This Instrument may be cited as the *Wagin Land Conservation District (Appointment of Members) Instrument 2008*.

2. Appointment of members

Under section 23(2b) of the Act and clause 5(1) of the *Soil and Land Conservation (Wagin Land Conservation District) Order 1990**, the following members are appointed to the land conservation district committee for the Wagin Land Conservation District—

- (a) on the nomination of the Shire of Wagin: Phillip Blight of Wagin;
- (b) to represent the Western Australian Farmers Federation (Inc): Ian McDougall of West Wagin; and

- (c) as persons actively engaged in, or affected by or associated with, land use in the district—
- (i) Kevin William Ball of Wagin
 - (ii) Arnold Stuart Bosenberg of Wagin
 - (iii) Raymond Leslie Edward of Wagin
 - (iv) Malcolm Leslie Edward of Wagin
 - (v) William Ernest White of Ballaying
 - (vi) Kim Piesse of Wagin
 - (vii) Bernie Evans of Wagin
 - (viii) Jenni Moffatt of Wagin

(*Published in the Gazette of 4 May 1990 at pp. 2127-28 and amended in the Gazette of 11 September 1992 at p. 4599 and an Amendment Order approved by Executive Council on 4 November 1997 {Department of Agriculture reference: 881812V02POP} and amended in the Gazette of 8 October 2004 at p. 4731).

3. Term of office

Members appointed to the committee under this instrument will hold office for a term expiring on 30 April 2011.

ANDREW WATSON, Commissioner of Soil and Land Conservation.

Dated this 2nd day of May 2008.

ELECTORAL COMMISSION

EC401*

ELECTORAL ACT 1907
 REGISTRATION OF POLITICAL PARTIES
 Notice of Cancellation of Registration
 FREMANTLE HOSPITAL SUPPORT GROUP
 PUBLIC HOSPITAL SUPPORT GROUP

Under sections 62L(2)(a) and (b) of the *Electoral Act 1907* the Electoral Commissioner may cancel the registration of a political party if the Electoral Commissioner is satisfied on reasonable grounds that the party no longer exists, is not a parliamentary party and does not have at least 500 members who are electors.

The Commissioner is satisfied on reasonable grounds that—

- Fremantle Hospital Support Group
- Public Hospital Support Group

no longer exist, are not parliamentary parties and do not have at least 500 members who are electors.

Under section 62L(5) of the *Electoral Act 1907* the Electoral Commissioner is required to—

- (a) give notice of the cancellation and the reasons for it to the secretary of the party;
- (b) give notice of the cancellation in the Gazette

Notice in accordance with (a) has been given and this gazettal is in accordance with (b) above.

WARWICK GATELY AM, Electoral Commissioner.

ENVIRONMENT

EV401

ENVIRONMENTAL PROTECTION ACT 1986
 REVIEW OF THE ENVIRONMENTAL PROTECTION (KWINANA) (ATMOSPHERIC WASTES)
 POLICY 1999

In accordance with section 36(1)(b) of the *Environmental Protection Act 1986*, the Minister for the Environment directs the Environmental Protection Authority to defer the commencement of the review of the *Environmental Protection (Kwinana) (Atmospheric Wastes) Policy 1999* as a result of the need to resolve buffer issues in the Kwinana area, await the finalisation of the State Environmental

(Ambient Air) Policy and the need to undertake a consultation process regarding the inclusion or exclusion of particulates. This direction is in effect until 31 December 2009.

For further enquiries please contact Ms Ruth Clark in the Perth Office (Department of Environment and Conservation) on (08) 6467 5523.

FISHERIES

FI401*

FISH RESOURCES MANAGEMENT ACT 1994

PROHIBITION ON COMMERCIAL FISHING (BARROW ISLAND MARINE PARK AND MONTEBELLO ISLANDS MARINE PARK) ORDER 2008

Order No. 1 of 2008

FD 1620/98 [849]

Made by the Minister under section 43.

1. Citation

This order is the *Prohibition on Commercial Fishing (Barrow Island Marine Park and Montebello Islands Marine Park) Order 2008*.

2. Interpretation

In this order—

“**Barrow Island Marine Park**” means the waters reserved as a marine park, classified as being of Class A under section 13 of the *Conservation and Land Management Act 1984* by the *Barrow Island Marine Park Order 2004*, published in the *Gazette* of 10 December 2004;

“**commercial fishing licence**” has the same meaning as provided for in regulation 3;

“**fish trap**” has the same meaning as provided for in the *Pilbara Trap Management Plan 1992* *;

“**marine aquarium fish**” has the same meaning as provided for in the *Marine Aquarium Fish Management Plan 1995* **;

“**Montebello General Use Zone**” means all of the area of the Montebello Islands Marine Park not described in Schedule 2, 3, 4 or 5;

“**Montebello Islands Marine Park**” means the waters reserved as a marine park, classified as being of Class A under section 13 of the *Conservation and Land Management Act 1984* by the *Montebello Islands Marine Park Order 2004*, published in the *Gazette* of 10 December 2004;

“**Northern Montebellos Special Purpose Zone (Benthic Protection)**” means the area specified in Schedule 2;

“**regulations**” means the *Fish Resources Management Regulations 1995*;

“**sea cucumber**” means fish of that common name described by the scientific classification opposite that name in Column 2 of Schedule 7 to the regulations;

“**Special Purpose Pearling Zones**” means the areas specified in Schedule 3;

“**specimen shell**” has the same meaning as provided for in the *Specimen Shell Management Plan 1995* ***.

3. Prohibition on Commercial Fishing in the Barrow Island Marine Park

A person must not engage in commercial fishing in the waters of the Barrow Island Marine Park.

4. Prohibition on Commercial Fishing in the Montebello Islands Marine Park

A person must not engage in commercial fishing in the waters of the Montebello Islands Marine Park.

5. Exceptions to the prohibition in clause 4

Clause 4 does not apply to a person who—

- (b) holds a commercial fishing licence; and
- (b) engages in an activity specified in Schedule 1.

Schedule 1

Exceptions to Prohibition

1. Aquarium Fish, Specimen Shell and Sea Cucumber

(1) Fishing for marine aquarium fish in the waters of the Special Purpose Pearling Zones or the Montebello General Use Zone in accordance with and under the authority of an authorisation issued under the *Marine Aquarium Fish Management Plan 1995*.

(2) Fishing for specimen shell in the waters of the Special Purpose Pearling Zones or the Montebello General Use Zone in accordance with and under the authority of an authorisation issued under the *Specimen Shell Management Plan 1995*.

(3) Fishing for sea cucumber in the waters of the Special Purpose Pearling Zones or the Montebello General Use Zone in accordance with an authorisation permitting the take of sea cucumber.

2. Trap Fishing

Fishing by fish trap in the waters of the Montebello General Use Zone in accordance with and under the authority of an authorisation issued under the *Pilbara Trap Management Plan 1992*.

3. Line Fishing

(1) Fishing by longline, drop line, hand line or by trolling in the waters of the Montebello General Use Zone in accordance with an authorisation permitting a person to engage in fishing by longline, drop line, hand line or by trolling.

(2) Fishing by trolling in the waters of the Northern Montebellos Special Purpose Zone (Benthic Protection) in accordance with an authorisation permitting a person to fish by trolling.

4. Netting

Fishing by beach seine net in the waters of the Montebello General Use Zone in accordance with an authorisation permitting a person to fish by beach seine net.

Schedule 2

Northern Montebellos Special Purpose Zone (Benthic Protection)

All that portion of the Montebello Islands Marine Park that is contained within and bounded by a line commencing at the intersection of 20° 18.800' south latitude and 115° 27.300' east longitude; thence east along the parallel to its intersection with 115° 29.800' east longitude; thence south-westerly along the geodesic to the intersection of 20° 21.500' south latitude and 115° 27.300' east longitude; thence north along the meridian to its intersection with 115° 27.300' east longitude to the commencement point.

Schedule 3

Special Purpose Pearling Zones

Site A Special Purpose Zone (Pearling)

All that portion of the Montebello Islands Marine Park that is contained within and bounded by a line commencing east of Hermite Island at the intersection of 20° 24.944' south latitude and 115° 31.970' east longitude; thence east along the parallel to its intersection with 115° 32.375' east longitude; thence southerly along the geodesic to the intersection of 20° 25.809' south latitude and 115° 32.574' east longitude; thence south-westerly along the geodesic to the intersection of 20° 25.916' south latitude and 115° 32.546' east longitude; thence westerly along the geodesic to the intersection of 20° 25.928' south latitude and 115° 32.480' east longitude; thence northerly along the geodesic to the intersection of 20° 25.498' south latitude and 115° 32.387' east longitude; thence southerly along the geodesic to the intersection of 20° 25.680' south latitude and 115° 32.358' east longitude; thence southerly along the geodesic to the intersection of 20° 26.491' south latitude and 115° 32.558' east longitude; thence westerly along the geodesic to the intersection of 20° 26.494' south latitude and 115° 32.531' east longitude; thence north-westerly along the geodesic to the intersection of 20° 26.224' south latitude and 115° 32.315' east longitude; thence northerly along the geodesic to the intersection of 20° 25.999' south latitude and 115° 32.354' east longitude; thence north-westerly along the geodesic to the intersection of 20° 25.937' south latitude and 115° 32.303' east longitude; thence north-westerly along the geodesic to the intersection of 20° 25.891' south latitude and 115° 32.229' east longitude; thence northerly along the geodesic to the intersection of 20° 25.748' south latitude and 115° 32.211' east longitude; thence north-easterly along the geodesic to the intersection of 20° 25.699' south latitude and 115° 32.276' east longitude; thence north-easterly along the geodesic to the intersection of 20° 25.481' south latitude and 115° 32.362' east longitude; thence north-westerly along the geodesic to the intersection of 20° 25.192' south latitude and 115° 32.157' east longitude; thence south along the meridian to its intersection with 20° 25.369' south latitude; thence west along the parallel to its intersection with 115° 31.971' east longitude; thence north along the geodesic to the commencement point.

Site B Special Purpose Zone (Pearling)

All that portion of the Montebello Islands Marine Park that is contained within and bounded by a line commencing at a point on the northern end of Crocus Island at the intersection of the high water mark on that island and the geodesic joining the coordinates 20° 24.952' south latitude and 115° 31.544' east longitude on Crocus Island, and 20° 24.784' south latitude and 115° 31.992' east longitude on Hermite Island; thence north-easterly along that geodesic to a point on Hermite Island at the intersection of that geodesic and the high water mark; thence in a general south-westerly and southerly direction along the high water mark on the western side of Hermite Island to the intersection of the high water mark and the geodesic joining the coordinates 20° 25.363' south latitude and 115° 31.852' east longitude on Hermite Island, and 20° 25.378' south latitude and 115° 31.719' east longitude on Crocus Island; thence west along that geodesic to the intersection of that geodesic and the high water mark on Crocus Island; thence generally westerly, northerly, easterly and northerly along the high water mark of that island to the commencement point.

Site C Special Purpose Zone (Pearling)

All that portion of the Montebello Islands Marine Park that is contained within and bounded by a line commencing at a point on Hermite Island at the intersection of the high water mark on that island and the geodesic joining the coordinates 20° 26.539' south latitude and 115° 31.090' east longitude on Hermite Island, and 20° 26.338' south latitude and 115° 31.229' east longitude; thence north-easterly along the geodesic to the intersection of 20° 26.338' south latitude and 115° 31.229' east longitude; thence south-easterly along the geodesic to the intersection of 20° 26.585' south latitude and 115° 31.558' east longitude; thence south-westerly along the geodesic to the intersection of the high water mark on Hermite Island and the geodesic joining the coordinates 20° 26.585' south latitude and 115° 31.558' east longitude and 20° 26.710' south latitude and 115° 31.471' east longitude on Hermite

Island; thence generally north-westerly along the highwater mark of that island to the commencement point.

Site D Special Purpose Zone (Pearling)

All that portion of the Montebello Islands Marine Park that is contained within and bounded by a line commencing at the intersection of 20° 26.041' south latitude and 115° 30.703' east longitude; thence north-easterly along the geodesic to the intersection of 20° 25.838' south latitude and 115° 31.057' east longitude; thence north-easterly along the geodesic to the intersection of the high water mark on Crocus Island and the geodesic joining the coordinates 20° 25.838' south latitude and 115° 31.057' east longitude and 20° 25.589' south latitude and 115° 31.367' east longitude on Crocus Island; thence in a general southerly and north-easterly direction along the high water mark of that island to the intersection of the geodesic joining the coordinates 20° 25.500' south latitude and 115° 31.683' east longitude on Crocus Island, and 20° 25.593' south latitude and 115° 31.926' east longitude on Hermite Island; thence south-easterly along that geodesic to its intersection with the high water mark on Hermite Island; thence south-westerly along the high water mark of that island to the intersection of the geodesic joining the coordinates 20° 25.663' south latitude and 115° 31.774' east longitude on Hermite Island and 20° 25.667' south latitude and 115° 31.657' east longitude; thence westerly along that geodesic to the intersection of 20° 25.667' south latitude and 115° 31.657' east longitude; thence south-westerly along the geodesic to the intersection of 20° 25.942' south latitude and 115° 31.167' east longitude; thence south-easterly along the geodesic to the intersection of 20° 26.156' south latitude and 115° 31.353' east longitude; thence south-westerly along the geodesic to the intersection of 20° 26.439' south latitude and 115° 31.027' east longitude; thence south-westerly along the geodesic to the intersection of 20° 26.482' south latitude and 115° 30.865' east longitude; thence north-westerly along the geodesic to the commencement point.

Site G Special Purpose Zone (Pearling)

All that portion of the Montebello Islands Marine Park that is contained within and bounded by a line commencing at the intersection of 20° 24.094' south latitude and 115° 31.915' east longitude; thence southerly along the geodesic to the intersection of 20° 24.397' south latitude 115° 31.986' east longitude; thence westerly along the geodesic to the intersection of 20° 24.437' south latitude and 115° 31.723' east longitude; thence south-westerly along the geodesic to the intersection of 20° 24.640' south latitude and 115° 31.539' east longitude; thence north-westerly along the geodesic to the intersection of 20° 24.479' south latitude and 115° 31.370' east longitude; thence north-easterly along the geodesic to the intersection of 20° 24.280' south latitude and 115° 31.450' east longitude; thence north-easterly along the geodesic to the commencement point.

Site H Special Purpose Zone (Pearling)

All that portion of the Montebello Islands Marine Park that is contained within and bounded by a line commencing at the northernmost point of Bluebell Island at the intersection of the high water mark on that island and the geodesic joining the coordinates 20° 23.282' south latitude and 115° 31.438' east longitude on Bluebell Island, and 20° 23.279' south latitude and 115° 31.516' east longitude; thence east along that geodesic to the intersection of 20° 23.279' south latitude and 115° 31.516' east longitude; thence south-easterly along the geodesic to the intersection of 20° 23.389' south latitude and 115° 31.706' east longitude; thence south-easterly along the geodesic to the intersection of 20° 23.544' south latitude and 115° 31.787' east longitude; thence south-easterly along the geodesic to the intersection of 20° 23.901' south latitude and 115° 31.902' east longitude; thence south-westerly along the geodesic to the intersection of 20° 24.096' south latitude and 115° 31.622' east longitude; thence north-westerly along the geodesic to the intersection of 20° 23.684' south latitude and 115° 31.443' east longitude; thence south-westerly along the geodesic to the intersection of the high water mark on Bluebell Island and the geodesic joining the coordinates 20° 23.684' south latitude and 115° 31.443' east longitude and 20° 23.823' south latitude and 115° 31.315' east longitude on Bluebell Island; thence generally north-westerly, south-easterly, north-westerly, northerly, easterly, north-easterly and northerly along the high water mark of that island to the commencement point.

Site I Special Purpose Zone (Pearling)

All that portion of the Montebello Islands Marine Park that is contained within and bounded by a line commencing at the intersection of 20° 23.784' south latitude and 115° 32.158' east longitude; thence north-westerly along the geodesic to the intersection of 20° 23.353' south latitude 115° 31.970' east longitude; thence north-easterly along the geodesic to the intersection of 20° 23.288' south latitude and 115° 32.130' east longitude; thence south-easterly along the geodesic to the intersection of 20° 23.719' south latitude and 115° 32.318' east longitude; thence south-westerly along the geodesic to the commencement point.

Site J Special Purpose Zone (Pearling)

All that portion of the Montebello Islands Marine Park that is contained within and bounded by a line commencing at the intersection of 20° 23.202' south latitude and 115° 32.452' east longitude; thence north-easterly along the geodesic to the intersection of 20° 23.090' south latitude 115° 32.600' east longitude; thence south-easterly along the geodesic to the intersection of 20° 23.681' south latitude and 115° 33.093' east longitude; thence south-westerly along the geodesic to the intersection of 20° 23.778' south latitude and 115° 32.945' east longitude; thence north-westerly along the geodesic to the commencement point.

Site O Special Purpose Zone (Pearling)

All that portion of the Montebello Islands Marine Park that is contained within and bounded by a line commencing at the intersection of 20° 24.158' south latitude and 115° 32.550' east longitude; thence southerly along the geodesic to the intersection of 20° 24.324' south latitude 115° 32.577' east longitude; thence easterly along the geodesic to the intersection of 20° 24.370' south latitude and 115° 32.360' east longitude; thence north-westerly along the geodesic to the intersection of 20° 24.280'

south latitude and 115° 32.209' east longitude; thence northerly along the geodesic to the intersection of 20° 24.230' south latitude and 115° 32.219' east longitude; thence north-easterly along the geodesic to the commencement point.

Site P Special Purpose Zone (Pearling)

All that portion of the Montebello Islands Marine Park that is contained within and bounded by a line commencing at the intersection of 20° 26.690' south latitude and 115° 32.640' east longitude; thence southerly along the geodesic to the intersection of 20° 26.880' south latitude 115° 32.670' east longitude; thence easterly along the geodesic to the intersection of 20° 26.860' south latitude and 115° 32.470' east longitude; thence north along the meridian to its intersection with 20° 26.770' south latitude; thence north-easterly along the geodesic to the commencement point.

Claret Bay Special Purpose Zone (Pearling)

All that portion of the Montebello Islands Marine Park that is contained within and bounded by a line commencing at the intersection of 20° 30.1205' south latitude and 115° 31.5796' east longitude; thence east along the parallel to its intersection with 115° 31.6796' east longitude; thence south along the meridian to its intersection with 20° 30.2206' south latitude; thence west along the parallel to its intersection with 115° 31.5796' east longitude; thence north along the meridian to the commencement point.

Schedule 4

Sanctuary Areas

Northern Montebellos Sanctuary Zone

All that portion of the Montebello Islands Marine Park that is contained within and bounded by a line commencing north-west of the Montebello Islands at the intersection of 20° 18.800' south latitude and 115° 29.700' east longitude; thence east along the parallel to its intersection with 115° 32.850' east longitude; thence south along the meridian to its intersection with 20° 22.350' south latitude; thence west along the parallel to its intersection with the high water mark on the coastline at the east end of Pansy Island; thence generally north-westerly and southerly along the high water mark on the coastline of Pansy Island to its intersection with latitude 20° 22.500' south latitude; thence west along the parallel to its intersection with 115° 32.359' east longitude; thence north along the meridian to its intersection with 20° 22.440' south latitude; thence north-westerly along the geodesic to the intersection of 20° 22.058' south latitude and 115° 31.757' east longitude; thence west-south-westerly along the geodesic to the intersection of 20° 22.088' south latitude and 115° 31.533' east longitude; thence south-westerly along the geodesic to the intersection of 20° 22.433' south latitude and 115° 31.321' east longitude; thence south-easterly along the geodesic to 20° 22.500' south latitude and 115° 31.556' east longitude; thence west along the parallel to its intersection with the high water mark on the coastline of Primrose Island; thence generally northerly, westerly, southerly and easterly along the high water mark of Primrose Island to its intersection with 20° 22.500' south latitude; thence west along the parallel to its intersection with 115° 27.300' east longitude; thence north along the meridian to its intersection with 20° 21.500' south latitude; thence north-easterly along the geodesic to the commencement point.

Southern Montebellos Sanctuary Zone

All that portion of the Montebello Islands Marine Park that is contained within and bounded by a line commencing west of the Montebello Islands at the intersection of 20° 26.000' south latitude and 115° 26.300' east longitude, and extending east along the parallel to its intersection with the high water mark on the coastline at the western side of Brooke Island; thence generally south-westerly and south-easterly along the high water mark of Brooke Island to the southernmost point of that island at the intersection of the high water mark and the geodesic joining the coordinates 20° 26.145' south latitude 115° 30.146' east longitude on Brooke Island, and 20° 26.371' south latitude 115° 30.531' east longitude on the unnamed island west of Hovea Island (unofficially named Eucalyptus Island); thence south-easterly along that geodesic to the south-westernmost point of the high water mark on that island; thence generally south-easterly along the high water mark of the unnamed island west of Hovea Island to the southernmost point of that island at the intersection of the high water mark and the geodesic joining the coordinates 20° 26.377' south latitude 115° 30.545' east longitude on that island, and 20° 26.477' south latitude 115° 30.802' east longitude on Hovea Island; thence south-easterly along that geodesic to the southern point of Hovea Island at the intersection of that geodesic and the high water mark; thence generally south-easterly along the high water mark of Hovea Island to the southernmost point of that island at the intersection of the high water mark and the geodesic joining the coordinates 20° 26.495' south latitude 115° 30.836' east longitude on Hovea Island, and 20° 26.528' south latitude 115° 30.993' east longitude on Hermite Island; thence south-easterly along that geodesic to the western point of Hermite Island at the intersection of that geodesic and the high water mark; thence generally southerly along the high water mark on the western side of Hermite Island to the southern end of that island near Palmerston Point at the intersection of the high water mark and the geodesic joining the coordinates 20° 30.318' south latitude 115° 31.198' east longitude on Hermite Island, and 20° 30.553' south latitude 115° 31.176' east longitude on the north-westernmost island of the Mulga Islands; thence southerly along that geodesic to the westernmost point of the north-westernmost island of the Mulga Islands at the intersection of that geodesic and the high water mark; thence generally south-easterly along the high water mark of the north-westernmost island of the Mulga Islands to the south-western point of that island at the intersection of the high water mark and the geodesic joining the coordinates 20° 30.577' south latitude 115° 31.191' east longitude on the north-westernmost island of the Mulga Islands, and 20° 31.125' south latitude 115° 31.682' east longitude on Snappy Gum Island; thence south-easterly along that geodesic to the western point of Snappy Gum Island at the intersection of that geodesic and the high water mark; thence generally south-easterly along the high water mark of Snappy Gum Island to the southernmost point of that

island at the intersection of the high water mark and the geodesic joining the coordinates 20° 31.147' south latitude 115° 31.703' east longitude on Snappy Gum Island, and 20° 31.656' south latitude 115° 32.526' east longitude on Ah Chong Island; thence south-easterly along that geodesic to the south-westernmost point of Ah Chong Island at the intersection of that geodesic and the high water mark; thence generally south-easterly and north-easterly along the high water mark of Ah Chong Island to the north-easternmost point of that island at the intersection of the high water mark and the geodesic joining the coordinates 20° 31.321' south latitude 115° 32.836' east longitude on Ah Chong Island, and 20° 30.020' south latitude 115° 33.597' east longitude on the northernmost island of the Fig Islands; thence north-easterly along that geodesic to the easternmost point of the northernmost island of the Fig Islands at the intersection of that geodesic and the high water mark; thence generally northerly along the high water mark of the northernmost island of the Fig Islands to the geodesic joining the coordinates 20° 30.012' south latitude 115° 33.601' east longitude on the northernmost island of the Fig Islands, and 20° 29.637' south latitude 115° 33.730' east longitude on the third unnamed island north of Callitris Island; thence north-easterly along that geodesic to the easternmost point of the third unnamed island north of Callitris Island at the intersection of that geodesic and the high water mark; thence generally north-westerly along the high water mark of the third unnamed island north of Callitris Island to the northernmost point of that island at the intersection of high water mark and the geodesic joining the coordinates 20° 29.632' south latitude 115° 33.726' east longitude on the third unnamed island north of Callitris Island, and 20° 29.538' south latitude 115° 32.583' east longitude on Ivy Island; thence westerly along that geodesic to the northernmost point of Ivy Island at the intersection of that geodesic and the high water mark; thence generally westerly along the high water mark of Ivy Island to the geodesic joining the coordinates 20° 29.537' south latitude 115° 32.567' east longitude on Ivy Island, and 20° 29.526' south latitude 115° 32.219' east longitude on Hermite Island; thence westerly along that geodesic to Chamberlain Point on Hermite Island at the intersection of that geodesic and the high water mark; thence generally north-westerly and north-easterly along the high water mark of Hermite Island to the narrow channel between Stephenson Channel and Hock Bay at the intersection of the high water mark and 20° 28.445' south latitude on Hermite Island; thence east along the parallel to its intersection with the high water mark at the westernmost point of Renewal Island; thence generally south-easterly, northerly, and south-westerly along the high water mark around Renewal Island to the point on the western side of that island near the entrance to Stephenson Channel at the intersection of the high water mark and 20° 27.700' south latitude; thence west along the parallel to its intersection with the high water mark at the western point of Hermite Island; thence generally northerly along the high water mark of Hermite Island to its intersection with the geodesic joining the coordinates 20° 27.018' south latitude 115° 32.601' east longitude on Hermite Island, and 20° 26.812' south latitude 115° 32.876' east longitude on Delta Island; thence north-easterly along that geodesic to the southern point of Delta Island at the intersection of that geodesic and the high water mark; thence generally northerly along the high water mark around the eastern side of Delta Island to the northernmost point of that island at the intersection of the high water mark and the geodesic joining the coordinates 20° 26.063' south latitude 115° 32.842' east longitude on Delta Island, and 20° 26.053' south latitude 115° 32.845' east longitude on Campbell Island; thence north-easterly along that geodesic to the south-easternmost point of Campbell Island at the intersection of that geodesic and the high water mark; thence generally north-easterly along the high water mark of Campbell Island to the point on the eastern side of Campbell Island at the intersection of the high water mark and 20° 26.000' south latitude; thence east along the parallel to its intersection with the high water mark at the western point of Karangi Island; thence generally south-easterly, southerly, north-easterly, and north-westerly along the high water mark of Karangi Island to the point on the eastern side of that island at the intersection of the high water mark and 20° 26.000' south latitude; thence east along the parallel to its intersection with 115° 37.750' east longitude; thence south along the meridian to its intersection with 20° 31.500' south latitude; thence west along the parallel to its intersection with 115° 35.500' east longitude; thence south along the meridian to its intersection with 20° 33.500' south latitude; thence west along the parallel to its intersection with 115° 26.300' east longitude; thence north along the meridian to the commencement point.

Willy Nilly Lagoon Sanctuary Zone

All that portion of the Montebello Islands Marine Park that is contained within and bounded by a line commencing south of Willy Nilly Lagoon from the eastern point of the western arm of Stephenson Channel at the intersection of 20° 28.480' south latitude and the high water mark on Hermite Island; thence generally northerly, easterly and southerly around Willy Nilly Lagoon along the high water mark of Hermite Island to the point on the eastern side of Stephenson Channel at the intersection of the high water mark and 20° 28.480' south latitude; thence west along the parallel to the commencement point.

Schedule 5

Recreation Areas

Stephenson Channel Recreation Zone

All that portion of the Montebello Islands Marine Park that is contained within and bounded by a line commencing south of Willy Nilly Lagoon from the eastern point of the western arm of Stephenson Channel at the intersection of the high water mark on Hermite Island and 20° 28.480' south latitude; thence east along the parallel to its intersection with the high water mark on Hermite Island at the eastern side of the western arm of Stephenson Channel; thence generally southerly, northerly, and north-easterly around Stephenson Channel along the high water mark of Hermite Island to the eastern point of that island on the western side of the entrance to Stephenson Channel at the intersection of the high water mark and 20° 27.700' south latitude; thence east along the parallel to its intersection with the high water mark on Renewal Island at the eastern side of the entrance to Stephenson Channel; thence generally southerly along the high water mark of Renewal Island to the

westernmost point of that island at the intersection of the high water mark and 20° 28.445' south latitude; thence west across the narrow channel between Stephenson Channel and Hock Bay along 20° 28.445' south latitude to the intersection of that latitude and the high water mark on Hermite Island; thence generally northerly, south-westerly, and northerly along the high water mark of Hermite Island to the commencement point.

Southern Montebellos Recreation Zone

All that portion of the Montebello Islands Marine Park that is contained within and bounded by a line commencing from Chamberlain Point on Hermite Island at the intersection of the high water mark of Hermite Island and the geodesic joining the coordinates 20° 29.526' south latitude 115° 32.219' east longitude on Hermite Island, and 20° 29.537' south latitude 115° 32.567' east longitude on Ivy Island; thence easterly along that geodesic to the northernmost point of Ivy Island at the intersection of that geodesic and the high water mark; thence generally westerly, south-easterly, northerly and north-westerly around Ivy Island along the high water mark to the northernmost point of that island at the intersection of the high water mark and the geodesic joining the coordinates 20° 29.538' south latitude 115° 32.583' east longitude on Ivy Island, and 20° 29.632' south latitude 115° 33.726' east longitude on the third unnamed island north of Callitris Island; thence easterly along that geodesic to the northernmost point of the third unnamed island north of Callitris Island at the intersection of that geodesic and the high water mark; thence generally south-westerly, south-easterly, and north-easterly around the third unnamed island north of Callitris Island along the high water mark of that island to the intersection of the high water mark and the geodesic joining the coordinates 20° 29.637' south latitude 115° 33.730' east longitude on the third unnamed island north of Callitris Island, and 20° 30.012' south latitude 115° 33.601' east longitude on the northernmost island of the Fig Islands; thence south-westerly along that geodesic to the easternmost point of the northernmost island of the Fig Islands at the intersection of that geodesic and the high water mark; thence generally north-westerly, south-westerly, south-easterly, and north-easterly around the northernmost island of the Fig Islands along the high water mark of that island to the intersection of the high water mark and the geodesic joining the coordinates 20° 30.020' south latitude 115° 33.597' east longitude on the northernmost island of the Fig Islands, and 20° 31.321' south latitude 115° 32.836' east longitude on Ah Chong Island; thence south-westerly along that geodesic to the north-easternmost point of Ah Chong Island at the intersection of that geodesic and the high water mark; thence generally north-westerly and south-westerly along the high water mark of Ah Chong Island to the south-westernmost point of that island at the intersection of the high water mark and the geodesic joining the coordinates 20° 31.656' south latitude 115° 32.526' east longitude on Ah Chong Island, and 20° 31.147' south latitude 115° 31.703' east longitude on Snappy Gum Island; thence north-westerly along that geodesic to the southernmost point of Snappy Gum Island at the intersection of that geodesic and the high water mark; thence generally north-easterly, north-westerly, and southerly along the high water mark of Snappy Gum Island to the western point of that island at the intersection of the high water mark and the geodesic joining the coordinates 20° 31.125' south latitude 115° 31.682' east longitude on Snappy Gum Island, and 20° 30.577' south latitude 115° 31.191' east longitude on the north-westernmost island of the Mulga Islands; thence north-westerly along that geodesic to the south-western point of the north-westernmost island of the Mulga Islands at the intersection of that geodesic and the high water mark; thence generally south-easterly, northerly and south-westerly along the high water mark of the north-westernmost island of the Mulga Islands to the westernmost point of that island at the intersection of the high water mark and the geodesic joining the coordinates 20° 30.553' south latitude 115° 31.176' east longitude on the north-westernmost island of the Mulga Islands, and 20° 30.318' south latitude 115° 31.198' east longitude on Hermite Island; thence northerly along that geodesic to the southern end of Hermite Island near Palmerston Point at the intersection of that geodesic and the high water mark; thence generally south-easterly and north-easterly along the high water mark of Hermite Island around Claret Bay, Rum Cove, Hungover Head and Sherry Lagoon to the commencement point.

[* Published in the Gazette of 3 April 1992.

** Published in the Gazette of 22 September 1995.

***Published in the Gazette of 24 February 1995.]

Dated this 21st day of June 2008.

JON FORD, Minister for Fisheries.

FI402*

FISH RESOURCES MANAGEMENT ACT 1994

PROHIBITION ON RECREATIONAL FISHING (BARROW ISLAND MARINE PARK AND MONTEBELLO ISLANDS MARINE PARK) ORDER 2008

Order No. 3 of 2008

FD 1620/98 [849]

Made by the Minister under section 43.

1. Citation

This order is the *Prohibition on Recreational Fishing (Barrow Island Marine Park and Montebello Islands Marine Park) Order 2008*.

2. Interpretation

In this order—

“**Barrow Island Marine Park**” means the waters reserved as a marine park, classified as being of Class A under section 13 of the *Conservation and Land Management Act 1984* by the *Barrow Island Marine Park Order 2004*, published in the *Gazette* of 10 December 2004;

“**licensed fishing boat**” has the same meaning as in regulation 3;

“**Montebello General Use Zone**” means all of the areas of the Montebello Islands Marine Park not described in Schedule 1, 2, 3 or 4;

“**Montebello Islands Marine Park**” means the waters reserved as a marine park, classified as being of Class A under section 13 of the *Conservation and Land Management Act 1984*, by the *Montebello Islands Marine Park Order 2004*, and published in the *Gazette* of 10 December 2004;

“**Northern Montebellos Special Purpose Zone (Benthic Protection)**” means the area specified in Schedule 2;

“**pointed instrument**” means a speargun, harpoon, gidgie, Hawaiian sling or any other similar pointed device;

“**Recreation Areas**” means the areas specified in Schedule 3;

“**regulations**” means the *Fish Resources Management Regulations 1995*;

“**Sanctuary Areas**” means the areas specified in Schedule 1;

“**set**” has the same meaning as in regulation 3;

“**Special Purpose Pearling Zones**” means the areas specified in Schedule 4;

“**specimen shell**” means the fish of the Phylum Mollusca except for the fish of the Order Teuthoidea, Order Sepioidea, and Order Octopoda.

3. Prohibition on recreational fishing in the Barrow Island Marine Park

A person must not engage in recreational fishing in any waters of the Barrow Island Marine Park.

4. Prohibition on recreational fishing in specified areas of the Montebello Islands Marine Park

(1) A person must not engage in recreational fishing in the waters of—

- (a) the Sanctuary Areas; or
- (b) the Northern Montebellos Special Purpose Zone (Benthic Protection).

(2) Subclause (1)(b) does not apply to a person fishing by means of trolling.

(3) A person must not engage in recreational fishing on a fishing tour in the waters of—

- (a) the Recreation Areas; or
- (b) the Sanctuary Areas; or
- (c) the Northern Montebellos Special Purpose Zone (Benthic Protection).

(4) Subclause (3)(c) does not apply to a person fishing by means of trolling.

5. Prohibition on recreational fishing by specified gear type

(1) A person must not engage in recreational fishing in the waters of the Montebello Islands Marine Park by means of—

- (a) a set net; or
- (b) a hauling net; or
- (c) a pointed instrument.

(2) Subclause (1)(c) does not apply to a person fishing without the assistance of compressed air breathing apparatus in the waters of—

- (a) the Recreation Areas; or
- (b) the Special Purpose Pearling Zones; or
- (c) the Montebello General Use Zone.

6. Prohibition on recreational fishing for specimen shell in the Montebello Islands Marine Park

A person must not engage in recreational fishing for specimen shell in the waters of the Montebello Islands Marine Park.

Schedule 1

Sanctuary Areas

Northern Montebellos Sanctuary Zone

All that portion of the Montebello Islands Marine Park that is contained within and bounded by a line commencing north-west of the Montebello Islands at the intersection of 20° 18.800' south latitude and 115° 29.700' east longitude; thence east along the parallel to its intersection with 115° 32.850' east longitude; thence south along the meridian to its intersection with 20° 22.350' south latitude; thence west along the parallel to its intersection with the high water mark on the coastline at the east end of Pansy Island; thence generally north-westerly and southerly along the high water mark on the coastline of Pansy Island to its intersection with latitude 20° 22.500' south latitude; thence west along the parallel to its intersection with 115° 32.359' east longitude; thence north along the meridian to its

intersection with 20° 22.440' south latitude; thence north-westerly along the geodesic to the intersection of 20° 22.058' south latitude and 115° 31.757' east longitude; thence west-south-westerly along the geodesic to the intersection of 20° 22.088' south latitude and 115° 31.533' east longitude; thence south-westerly along the geodesic to the intersection of 20° 22.433' south latitude and 115° 31.321' east longitude; thence south-easterly along the geodesic to 20° 22.500' south latitude and 115° 31.556' east longitude; thence west along the parallel to its intersection with the high water mark on the coastline of Primrose Island; thence generally northerly, westerly, southerly and easterly along the high water mark of Primrose Island to its intersection with 20° 22.500' south latitude; thence west along the parallel to its intersection with 115° 27.300' east longitude; thence north along the meridian to its intersection with 20° 21.500' south latitude; thence north-easterly along the geodesic to the commencement point.

Southern Montebellos Sanctuary Zone

All that portion of the Montebello Islands Marine Park that is contained within and bounded by a line commencing west of the Montebello Islands at the intersection of 20° 26.000' south latitude and 115° 26.300' east longitude, and extending east along the parallel to its intersection with the high water mark on the coastline at the western side of Brooke Island; thence generally south-westerly and south-easterly along the high water mark of Brooke Island to the southernmost point of that island at the intersection of the high water mark and the geodesic joining the coordinates 20° 26.145' south latitude 115° 30.146' east longitude on Brooke Island, and 20° 26.371' south latitude 115° 30.531' east longitude on the unnamed island west of Hovea Island (unofficially named Eucalyptus Island); thence south-easterly along that geodesic to the south-westernmost point of the high water mark on that island; thence generally south-easterly along the high water mark of the unnamed island west of Hovea Island to the southernmost point of that island at the intersection of the high water mark and the geodesic joining the coordinates 20° 26.377' south latitude 115° 30.545' east longitude on that island, and 20° 26.477' south latitude 115° 30.802' east longitude on Hovea Island; thence south-easterly along that geodesic to the southern point of Hovea Island at the intersection of that geodesic and the high water mark; thence generally south-easterly along the high water mark of Hovea Island to the southernmost point of that island at the intersection of the high water mark and the geodesic joining the coordinates 20° 26.495' south latitude 115° 30.836' east longitude on Hovea Island, and 20° 26.528' south latitude 115° 30.993' east longitude on Hermite Island; thence south-easterly along that geodesic to the western point of Hermite Island at the intersection of that geodesic and the high water mark; thence generally southerly along the high water mark on the western side of Hermite Island to the southern end of that island near Palmerston Point at the intersection of the high water mark and the geodesic joining the coordinates 20° 30.318' south latitude 115° 31.198' east longitude on Hermite Island, and 20° 30.553' south latitude 115° 31.176' east longitude on the north-westernmost island of the Mulga Islands; thence southerly along that geodesic to the westernmost point of the north-westernmost island of the Mulga Islands at the intersection of that geodesic and the high water mark; thence generally south-easterly along the high water mark of the north-westernmost island of the Mulga Islands to the south-western point of that island at the intersection of the high water mark and the geodesic joining the coordinates 20° 30.577' south latitude 115° 31.191' east longitude on the north-westernmost island of the Mulga Islands, and 20° 31.125' south latitude 115° 31.682' east longitude on Snappy Gum Island; thence south-easterly along that geodesic to the western point of Snappy Gum Island at the intersection of that geodesic and the high water mark; thence generally south-easterly along the high water mark of Snappy Gum Island to the southernmost point of that island at the intersection of the high water mark and the geodesic joining the coordinates 20° 31.147' south latitude 115° 31.703' east longitude on Snappy Gum Island, and 20° 31.656' south latitude 115° 32.526' east longitude on Ah Chong Island; thence south-easterly along that geodesic to the south-westernmost point of Ah Chong Island at the intersection of that geodesic and the high water mark; thence generally south-easterly and north-easterly along the high water mark of Ah Chong Island to the north-easternmost point of that island at the intersection of the high water mark and the geodesic joining the coordinates 20° 31.321' south latitude 115° 32.836' east longitude on Ah Chong Island, and 20° 30.020' south latitude 115° 33.597' east longitude on the northernmost island of the Fig Islands; thence north-easterly along that geodesic to the easternmost point of the northernmost island of the Fig Islands at the intersection of that geodesic and the high water mark; thence generally northerly along the high water mark of the northernmost island of the Fig Islands to the geodesic joining the coordinates 20° 30.012' south latitude 115° 33.601' east longitude on the northernmost island of the Fig Islands, and 20° 29.637' south latitude 115° 33.730' east longitude on the third unnamed island north of Callitris Island; thence north-easterly along that geodesic to the easternmost point of the third unnamed island north of Callitris Island at the intersection of that geodesic and the high water mark; thence generally north-westerly along the high water mark of the third unnamed island north of Callitris Island to the northernmost point of that island at the intersection of high water mark and the geodesic joining the coordinates 20° 29.632' south latitude 115° 33.726' east longitude on the third unnamed island north of Callitris Island, and 20° 29.538' south latitude 115° 32.583' east longitude on Ivy Island; thence westerly along that geodesic to the northernmost point of Ivy Island at the intersection of that geodesic and the high water mark; thence generally westerly along the high water mark of Ivy Island to the geodesic joining the coordinates 20° 29.537' south latitude 115° 32.567' east longitude on Ivy Island, and 20° 29.526' south latitude 115° 32.219' east longitude on Hermite Island; thence westerly along that geodesic to Chamberlain Point on Hermite Island at the intersection of that geodesic and the high water mark; thence generally north-westerly and north-easterly along the high water mark of Hermite Island to the narrow channel between Stephenson Channel and Hock Bay at the intersection of the high water mark and 20° 28.445' south latitude on Hermite Island; thence east along the parallel to its intersection with the high water mark at the westernmost point of Renewal Island; thence generally south-easterly, northerly, and south-westerly along the high water mark around Renewal Island to the point on the western side of that island near the entrance to Stephenson Channel at the

intersection of the high water mark and 20° 27.700' south latitude; thence west along the parallel to its intersection with the high water mark at the western point of Hermite Island; thence generally northerly along the high water mark of Hermite Island to its intersection with the geodesic joining the coordinates 20° 27.018' south latitude 115° 32.601' east longitude on Hermite Island, and 20° 26.812' south latitude 115° 32.876' east longitude on Delta Island; thence north-easterly along that geodesic to the southern point of Delta Island at the intersection of that geodesic and the high water mark; thence generally northerly along the high water mark around the eastern side of Delta Island to the northernmost point of that island at the intersection of the high water mark and the geodesic joining the coordinates 20° 26.063' south latitude 115° 32.842' east longitude on Delta Island, and 20° 26.053' south latitude 115° 32.845' east longitude on Campbell Island; thence north-easterly along that geodesic to the south-easternmost point of Campbell Island at the intersection of that geodesic and the high water mark; thence generally north-easterly along the high water mark of Campbell Island to the point on the eastern side of Campbell Island at the intersection of the high water mark and 20° 26.000' south latitude; thence east along the parallel to its intersection with the high water mark at the western point of Karangi Island; thence generally south-easterly, southerly, north-easterly, and north-westerly along the high water mark of Karangi Island to the point on the eastern side of that island at the intersection of the high water mark and 20° 26.000' south latitude; thence east along the parallel to its intersection with 115° 37.750' east longitude; thence south along the meridian to its intersection with 20° 31.500' south latitude; thence west along the parallel to its intersection with 115° 35.500' east longitude; thence south along the meridian to its intersection with 20° 33.500' south latitude; thence west along the parallel to its intersection with 115° 26.300' east longitude; thence north along the meridian to the commencement point.

Willy Nilly Lagoon Sanctuary Zone

All that portion of the Montebello Islands Marine Park that is contained within and bounded by a line commencing south of Willy Nilly Lagoon from the eastern point of the western arm of Stephenson Channel at the intersection of 20° 28.480' south latitude and the high water mark on Hermite Island; thence generally northerly, easterly and southerly around Willy Nilly Lagoon along the high water mark of Hermite Island to the point on the eastern side of Stephenson Channel at the intersection of the high water mark and 20° 28.480' south latitude; thence west along the parallel to the commencement point.

Schedule 2

Northern Montebellos Special Purpose Zone (Benthic Protection)

All that portion of the Montebello Islands Marine Park that is contained within and bounded by a line commencing at the intersection of 20° 18.800' south latitude and 115° 27.300' east longitude; thence east along the parallel to its intersection with 115° 29.800' east longitude; thence south-westerly along the geodesic to the intersection of 20° 21.500' south latitude and 115° 27.300' east longitude; thence north along the meridian to its intersection with 115° 27.300' east longitude to the commencement point.

Schedule 3

Recreation Areas

Stephenson Channel Recreation Zone

All that portion of the Montebello Islands Marine Park that is contained within and bounded by a line commencing south of Willy Nilly Lagoon from the eastern point of the western arm of Stephenson Channel at the intersection of the high water mark on Hermite Island and 20° 28.480' south latitude; thence east along the parallel to its intersection with the high water mark on Hermite Island at the eastern side of the western arm of Stephenson Channel; thence generally southerly, northerly, and north-easterly around Stephenson Channel along the high water mark of Hermite Island to the eastern point of that island on the western side of the entrance to Stephenson Channel at the intersection of the high water mark and 20° 27.700' south latitude; thence east along the parallel to its intersection with the high water mark on Renewal Island at the eastern side of the entrance to Stephenson Channel; thence generally southerly along the high water mark of Renewal Island to the westernmost point of that island at the intersection of the high water mark and 20° 28.445' south latitude; thence west across the narrow channel between Stephenson Channel and Hock Bay along 20° 28.445' south latitude to the intersection of that latitude and the high water mark on Hermite Island; thence generally northerly, south-westerly, and northerly along the high water mark of Hermite Island to the commencement point.

Southern Montebellos Recreation Zone

All that portion of the Montebello Islands Marine Park that is contained within and bounded by a line commencing from Chamberlain Point on Hermite Island at the intersection of the high water mark of Hermite Island and the geodesic joining the coordinates 20° 29.526' south latitude 115° 32.219' east longitude on Hermite Island, and 20° 29.537' south latitude 115° 32.567' east longitude on Ivy Island; thence easterly along that geodesic to the northernmost point of Ivy Island at the intersection of that geodesic and the high water mark; thence generally westerly, south-easterly, northerly and north-westerly around Ivy Island along the high water mark to the northernmost point of that island at the intersection of the high water mark and the geodesic joining the coordinates 20° 29.538' south latitude 115° 32.583' east longitude on Ivy Island, and 20° 29.632' south latitude 115° 33.726' east longitude on the third unnamed island north of Callitris Island; thence easterly along that geodesic to the northernmost point of the third unnamed island north of Callitris Island at the intersection of that geodesic and the high water mark; thence generally south-westerly, south-easterly, and north-easterly around the third unnamed island north of Callitris Island along the high water mark of that island to the intersection of the high water mark and the geodesic joining the coordinates 20° 29.637' south latitude 115° 33.730' east longitude on the third unnamed island north of Callitris Island, and

20° 30.012' south latitude 115° 33.601' east longitude on the northernmost island of the Fig Islands; thence south-westerly along that geodesic to the easternmost point of the northernmost island of the Fig Islands at the intersection of that geodesic and the high water mark; thence generally north-westerly, south-westerly, south-easterly, and north-easterly around the northernmost island of the Fig Islands along the high water mark of that island to the intersection of the high water mark and the geodesic joining the coordinates 20° 30.020' south latitude 115° 33.597' east longitude on the northernmost island of the Fig Islands, and 20° 31.321' south latitude 115° 32.836' east longitude on Ah Chong Island; thence south-westerly along that geodesic to the north-easternmost point of Ah Chong Island at the intersection of that geodesic and the high water mark; thence generally north-westerly and south-westerly along the high water mark of Ah Chong Island to the south-westernmost point of that island at the intersection of the high water mark and the geodesic joining the coordinates 20° 31.656' south latitude 115° 32.526' east longitude on Ah Chong Island, and 20° 31.147' south latitude 115° 31.703' east longitude on Snappy Gum Island; thence north-westerly along that geodesic to the southernmost point of Snappy Gum Island at the intersection of that geodesic and the high water mark; thence generally north-easterly, north-westerly, and southerly along the high water mark of Snappy Gum Island to the western point of that island at the intersection of the high water mark and the geodesic joining the coordinates 20° 31.125' south latitude 115° 31.682' east longitude on Snappy Gum Island, and 20° 30.577' south latitude 115° 31.191' east longitude on the north-westernmost island of the Mulga Islands; thence north-westerly along that geodesic to the south-western point of the north-westernmost island of the Mulga Islands at the intersection of that geodesic and the high water mark; thence generally south-easterly, northerly and south-westerly along the high water mark of the north-westernmost island of the Mulga Islands to the westernmost point of that island at the intersection of the high water mark and the geodesic joining the coordinates 20° 30.553' south latitude 115° 31.176' east longitude on the north-westernmost island of the Mulga Islands, and 20° 30.318' south latitude 115° 31.198' east longitude on Hermite Island; thence northerly along that geodesic to the southern end of Hermite Island near Palmerston Point at the intersection of that geodesic and the high water mark; thence generally south-easterly and north-easterly along the high water mark of Hermite Island around Claret Bay, Rum Cove, Hungover Head and Sherry Lagoon to the commencement point.

Schedule 4

Special Purpose Pearling Zones

Site A Special Purpose Zone (Pearling)

All that portion of the Montebello Islands Marine Park that is contained within and bounded by a line commencing east of Hermite Island at the intersection of 20° 24.944' south latitude and 115° 31.970' east longitude; thence east along the parallel to its intersection with 115° 32.375' east longitude; thence southerly along the geodesic to the intersection of 20° 25.809' south latitude and 115° 32.574' east longitude; thence south-westerly along the geodesic to the intersection of 20° 25.916' south latitude and 115° 32.546' east longitude; thence westerly along the geodesic to the intersection of 20° 25.928' south latitude and 115° 32.480' east longitude; thence northerly along the geodesic to the intersection of 20° 25.498' south latitude and 115° 32.387' east longitude; thence southerly along the geodesic to the intersection of 20° 25.680' south latitude and 115° 32.358' east longitude; thence southerly along the geodesic to the intersection of 20° 26.491' south latitude and 115° 32.558' east longitude; thence westerly along the geodesic to the intersection of 20° 26.494' south latitude and 115° 32.531' east longitude; thence north-westerly along the geodesic to the intersection of 20° 26.224' south latitude and 115° 32.315' east longitude; thence northerly along the geodesic to the intersection of 20° 25.999' south latitude and 115° 32.354' east longitude; thence north-westerly along the geodesic to the intersection of 20° 25.937' south latitude and 115° 32.303' east longitude; thence north-westerly along the geodesic to the intersection of 20° 25.891' south latitude and 115° 32.229' east longitude; thence northerly along the geodesic to the intersection of 20° 25.748' south latitude and 115° 32.211' east longitude; thence north-easterly along the geodesic to the intersection of 20° 25.699' south latitude and 115° 32.276' east longitude; thence north-easterly along the geodesic to the intersection of 20° 25.481' south latitude and 115° 32.362' east longitude; thence north-westerly along the geodesic to the intersection of 20° 25.192' south latitude and 115° 32.157' east longitude; thence south along the meridian to its intersection with 20° 25.369' south latitude; thence west along the parallel to its intersection with 115° 31.971' east longitude; thence north along the geodesic to the commencement point.

Site B Special Purpose Zone (Pearling)

All that portion of the Montebello Islands Marine Park that is contained within and bounded by a line commencing at a point on the northern end of Crocus Island at the intersection of the high water mark on that island and the geodesic joining the coordinates 20° 24.952' south latitude and 115° 31.544' east longitude on Crocus Island, and 20° 24.784' south latitude and 115° 31.992' east longitude on Hermite Island; thence north-easterly along that geodesic to a point on Hermite Island at the intersection of that geodesic and the high water mark; thence in a general south-westerly and southerly direction along the high water mark on the western side of Hermite Island to the intersection of the high water mark and the geodesic joining the coordinates 20° 25.363' south latitude and 115° 31.852' east longitude on Hermite Island, and 20° 25.378' south latitude and 115° 31.719' east longitude on Crocus Island; thence west along that geodesic to the intersection of that geodesic and the high water mark on Crocus Island; thence generally westerly, northerly, easterly and northerly along the high water mark of that island to the commencement point.

Site C Special Purpose Zone (Pearling)

All that portion of the Montebello Islands Marine Park that is contained within and bounded by a line commencing at a point on Hermite Island at the intersection of the high water mark on that island and the geodesic joining the coordinates 20° 26.539' south latitude and 115° 31.090' east longitude on

Hermite Island, and 20° 26.338' south latitude and 115° 31.229' east longitude; thence north-easterly along the geodesic to the intersection of 20° 26.338' south latitude and 115° 31.229' east longitude; thence south-easterly along the geodesic to the intersection of 20° 26.585' south latitude and 115° 31.558' east longitude; thence south-westerly along the geodesic to the intersection of the high water mark on Hermite Island and the geodesic joining the coordinates 20° 26.585' south latitude and 115° 31.558' east longitude and 20° 26.710' south latitude and 115° 31.471' east longitude on Hermite Island; thence generally north-westerly along the highwater mark of that island to the commencement point.

Site D Special Purpose Zone (Pearling)

All that portion of the Montebello Islands Marine Park that is contained within and bounded by a line commencing at the intersection of 20° 26.041' south latitude and 115° 30.703' east longitude; thence north-easterly along the geodesic to the intersection of 20° 25.838' south latitude and 115° 31.057' east longitude; thence north-easterly along the geodesic to the intersection of the high water mark on Crocus Island and the geodesic joining the coordinates 20° 25.838' south latitude and 115° 31.057' east longitude and 20° 25.589' south latitude and 115° 31.367' east longitude on Crocus Island; thence in a general southerly and north-easterly direction along the high water mark of that island to the intersection of the geodesic joining the coordinates 20° 25.500' south latitude and 115° 31.683' east longitude on Crocus Island, and 20° 25.593' south latitude and 115° 31.926' east longitude on Hermite Island; thence south-easterly along that geodesic to its intersection with the high water mark on Hermite Island; thence south-westerly along the high water mark of that island to the intersection of the geodesic joining the coordinates 20° 25.663' south latitude and 115° 31.774' east longitude on Hermite Island and 20° 25.667' south latitude and 115° 31.657' east longitude; thence westerly along that geodesic to the intersection of 20° 25.667' south latitude and 115° 31.657' east longitude; thence south-westerly along the geodesic to the intersection of 20° 25.942' south latitude and 115° 31.167' east longitude; thence south-easterly along the geodesic to the intersection of 20° 26.156' south latitude and 115° 31.353' east longitude; thence south-westerly along the geodesic to the intersection of 20° 26.439' south latitude and 115° 31.027' east longitude; thence south-westerly along the geodesic to the intersection of 20° 26.482' south latitude and 115° 30.865' east longitude; thence north-westerly along the geodesic to the commencement point.

Site G Special Purpose Zone (Pearling)

All that portion of the Montebello Islands Marine Park that is contained within and bounded by a line commencing at the intersection of 20° 24.094' south latitude and 115° 31.915' east longitude; thence southerly along the geodesic to the intersection of 20° 24.397' south latitude and 115° 31.986' east longitude; thence westerly along the geodesic to the intersection of 20° 24.437' south latitude and 115° 31.723' east longitude; thence south-westerly along the geodesic to the intersection of 20° 24.640' south latitude and 115° 31.539' east longitude; thence north-westerly along the geodesic to the intersection of 20° 24.479' south latitude and 115° 31.370' east longitude; thence north-easterly along the geodesic to the intersection of 20° 24.280' south latitude and 115° 31.450' east longitude; thence north-easterly along the geodesic to the commencement point.

Site H Special Purpose Zone (Pearling)

All that portion of the Montebello Islands Marine Park that is contained within and bounded by a line commencing at the northernmost point of Bluebell Island at the intersection of the high water mark on that island and the geodesic joining the coordinates 20° 23.282' south latitude and 115° 31.438' east longitude on Bluebell Island, and 20° 23.279' south latitude and 115° 31.516' east longitude; thence east along that geodesic to the intersection of 20° 23.279' south latitude and 115° 31.516' east longitude; thence south-easterly along the geodesic to the intersection of 20° 23.389' south latitude and 115° 31.706' east longitude; thence south-easterly along the geodesic to the intersection of 20° 23.544' south latitude and 115° 31.787' east longitude; thence south-easterly along the geodesic to the intersection of 20° 23.901' south latitude and 115° 31.902' east longitude; thence south-westerly along the geodesic to the intersection of 20° 24.096' south latitude and 115° 31.622' east longitude; thence north-westerly along the geodesic to the intersection of 20° 23.684' south latitude and 115° 31.443' east longitude; thence south-westerly along the geodesic to the intersection of the high water mark on Bluebell Island and the geodesic joining the coordinates 20° 23.684' south latitude and 115° 31.443' east longitude and 20° 23.823' south latitude and 115° 31.315' east longitude on Bluebell Island; thence generally north-westerly, south-easterly, north-westerly, northerly, easterly, north-easterly and northerly along the high water mark of that island to the commencement point.

Site I Special Purpose Zone (Pearling)

All that portion of the Montebello Islands Marine Park that is contained within and bounded by a line commencing at the intersection of 20° 23.784' south latitude and 115° 32.158' east longitude; thence north-westerly along the geodesic to the intersection of 20° 23.353' south latitude and 115° 31.970' east longitude; thence north-easterly along the geodesic to the intersection of 20° 23.288' south latitude and 115° 32.130' east longitude; thence south-easterly along the geodesic to the intersection of 20° 23.719' south latitude and 115° 32.318' east longitude; thence south-westerly along the geodesic to the commencement point.

Site J Special Purpose Zone (Pearling)

All that portion of the Montebello Islands Marine Park that is contained within and bounded by a line commencing at the intersection of 20° 23.202' south latitude and 115° 32.452' east longitude; thence north-easterly along the geodesic to the intersection of 20° 23.090' south latitude and 115° 32.600' east longitude; thence south-easterly along the geodesic to the intersection of 20° 23.681' south latitude and 115° 33.093' east longitude; thence south-westerly along the geodesic to the intersection of 20° 23.778' south latitude and 115° 32.945' east longitude; thence north-westerly along the geodesic to the commencement point.

Site O Special Purpose Zone (Pearling)

All that portion of the Montebello Islands Marine Park that is contained within and bounded by a line commencing at the intersection of 20° 24.158' south latitude and 115° 32.550' east longitude; thence southerly along the geodesic to the intersection of 20° 24.324' south latitude 115° 32.577' east longitude; thence easterly along the geodesic to the intersection of 20° 24.370' south latitude and 115° 32.360' east longitude; thence north-westerly along the geodesic to the intersection of 20° 24.280' south latitude and 115° 32.209' east longitude; thence northerly along the geodesic to the intersection of 20° 24.230' south latitude and 115° 32.219' east longitude; thence north-easterly along the geodesic to the commencement point.

Site P Special Purpose Zone (Pearling)

All that portion of the Montebello Islands Marine Park that is contained within and bounded by a line commencing at the intersection of 20° 26.690' south latitude and 115° 32.640' east longitude; thence southerly along the geodesic to the intersection of 20° 26.880' south latitude 115° 32.670' east longitude; thence easterly along the geodesic to the intersection of 20° 26.860' south latitude and 115° 32.470' east longitude; thence north along the meridian to its intersection with 20° 26.770' south latitude; thence north-easterly along the geodesic to the commencement point.

Claret Bay Special Purpose Zone (Pearling)

All that portion of the Montebello Islands Marine Park that is contained within and bounded by a line commencing at the intersection of 20° 30.1205' south latitude and 115° 31.5796' east longitude; thence east along the parallel to its intersection with 115° 31.6796' east longitude; thence south along the meridian to its intersection with 20° 30.2206' south latitude; thence west along the parallel to its intersection with 115° 31.5796' east longitude; thence north along the meridian to the commencement point.

Dated this 21st day of June 2008.

JON FORD, Minister for Fisheries.

FI403***FISH RESOURCES MANAGEMENT ACT 1994****PROHIBITION ON COMMERCIAL FISHING (BARROW ISLAND MARINE MANAGEMENT AREA)
ORDER 2008**

Order No. 4 of 2008

FD 1620/98 [849]

Made by the Minister under section 43.

1. Citation

This order is the *Prohibition on Commercial Fishing (Barrow Island Marine Management Area) Order 2008*.

2. Interpretation

In this order—

“**Bandicoot Bay Conservation Area**” means the area specified in Schedule 1;

“**Barrow Island Marine Management Area**” means all waters reserved as a marine management area and classified as being of Class A under section 13 of the *Conservation and Land Management Act 1984* by the *Barrow Island Marine Park Order 2004*, published in the *Gazette* of 10 December 2004;

“**crab**” means fish of that common name described by the scientific classification opposite that name in Column 2 of Schedule 7 to the regulations;

“**live rock**” means—

(a) all fish of that common name described by the scientific classifications Family Corallinaceae, Class Polychaeta, Class Crinoidea, Class Ascidiacea, Class Ophiuroidea, Phylum Bryozoa and Phylum Porifera; and

(b) all dead fish of the scientific classifications Class Anthozoa and Class Hydrozoa, and including any rock, substrate or other substance on or in which the fish are attached or inhabit;

“**live sand**” has the same meaning as ‘live rock’.

3. Prohibition on Fishing in the Bandicoot Bay Conservation Area

A person must not engage in commercial fishing in the waters of the Bandicoot Bay Conservation Area.

4. Prohibition on commercial fishing for certain species

A person must not engage in commercial fishing in the waters of the Barrow Island Marine Management Area for—

- (a) crab; or
- (b) ‘live rock’; or
- (c) ‘live sand’.

Schedule 1**Bandicoot Bay Conservation Area**

All waters of the Indian Ocean contained within and bounded by a line commencing at South End on Barrow Island at the intersection of 115° 19.300' east longitude and the high water mark on Barrow Island; and extending generally north-easterly, westerly, northerly, easterly and south-easterly around Bandicoot Bay along the high water mark to Stokes Point on Barrow Island at the intersection of the high water mark and the geodesic joining the coordinates 20° 53.720' south latitude and 115° 22.470' east longitude on Barrow Island, and 20° 54.380' south latitude and 115° 20.160' east longitude on Middle Island; thence south-westerly along that geodesic to the easternmost point of Middle Island at the intersection of that geodesic and the high water mark on Middle Island; thence generally north-westerly and westerly along the high water mark on Middle Island to its intersection with 115° 19.300' east longitude; thence north along the meridian to the commencement point.

Dated this 21st day of June 2008.

JON FORD, Minister for Fisheries.

FI404***FISH RESOURCES MANAGEMENT ACT 1994****PROHIBITION ON RECREATIONAL FISHING (BARROW ISLAND MARINE MANAGEMENT AREA)
ORDER 2008**

Order No. 5 of 2008

FD 1620/98 [849]

Made by the Minister under section 43.

1. Citation

This order is the *Prohibition on Recreational Fishing (Barrow Island Marine Management Area) Order 2008*.

2. Interpretation

In this order—

“**Bandicoot Bay Conservation Area**” means the area specified in Schedule 1;

“**Barrow Island Marine Management Area**” means the waters reserved as a marine management area and classified as being of Class A under section 13 of the *Conservation and Land Management Act 1984* by the *Barrow Island Marine Park Order 2004*, published in the *Gazette* of 10 December 2004;

“**fishing gear**” has the same meaning as in regulation 3;

“**pointed instrument**” means a speargun, harpoon, gidgie, Hawaiian sling or any other similar fishing gear;

“**regulations**” means the *Fish Resources Management Regulations 1995*;

“**set**” has the same meaning as in regulation 3;

“**specimen shell**” means the fish of the Phylum Mollusca except for the fish of the Order Teuthoidea, Order Sepioidea, and Order Octopoda.

3. Prohibition on recreational fishing in the waters of the Bandicoot Bay Conservation Area

(1) A person must not engage in recreational fishing in the waters of the Bandicoot Bay Conservation Area.

(2) Subclause (1) does not apply to a person fishing by means of—

- (a) a throw net; or
- (b) a line.

4. Prohibition on recreational fishing by specified gear type

(1) A person must not engage in recreational fishing in the waters of the Barrow Island Marine Management Area by means of—

- (a) a set net; or
- (b) a hauling net; or
- (c) a pointed instrument.

(2) Subclause (1)(c) does not apply to a person fishing without the assistance of compressed air breathing apparatus.

5. Prohibition on recreational fishing for specimen shell

A person must not engage in recreational fishing for specimen shell in the waters of the Barrow Island Marine Management Area.

Schedule 1**Bandicoot Bay Conservation Area**

All waters of the Indian Ocean contained within and bounded by a line commencing at South End on Barrow Island at the intersection of 115° 19.300' east longitude and the high water mark on Barrow Island; and extending generally north-easterly, westerly, northerly, easterly and south-easterly around Bandicoot Bay along the high water mark to Stokes Point on Barrow Island at the intersection of the high water mark and the geodesic joining the coordinates 20° 53.720' south latitude and 115° 22.470' east longitude on Barrow Island, and 20° 54.380' south latitude and 115° 20.160' east longitude on Middle Island; thence south-westerly along that geodesic to the easternmost point of Middle Island at the intersection of that geodesic and the high water mark on Middle Island; thence generally north-westerly and westerly along the high water mark on Middle Island to its intersection with 115° 19.300' east longitude; thence north along the meridian to the commencement point.

Dated this 21st day of June 2008.

JON FORD, Minister for Fisheries.

HEALTH

HE401***HEALTH SERVICES (QUALITY IMPROVEMENT) ACT 1994****HEALTH SERVICES (QUALITY IMPROVEMENT) (APPROVED COMMITTEE) ORDER (NO. 3) 2008**

Made by the Principal Medical Officer (as delegate of the Minister for Health) pursuant to section 7(1) of the *Health Services (Quality Improvement) Act 1994*.

Citation

1. This order may be cited as the *Health Services (Quality Improvement) (Approved Committee) Order (No. 3) 2008*.

Commencement

2. This order comes into operation on the day on which it is published in the *Government Gazette*.

Committee

3. The Mount Hospital Clinical Review Committee established by the Mount Hospital Executive is an approved quality improvement committee for the purposes of the Act.

Expiry of order

4. This order expires three years after its commencement.

Dated 18th day of June 2008.

Dr DOROTHY JONES, Director and Principal Medical Officer,
Office of Safety and Quality in Healthcare.

HERITAGE

HR401***HERITAGE OF WESTERN AUSTRALIA ACT 1990****ENTRY OF PLACES IN THE REGISTER OF HERITAGE PLACES****NOTICE OF ADVICE REGARDING REGISTRATION OF CROWN PROPERTY**

In accordance with section 47(5) of the *Heritage of Western Australia Act 1990*, the Heritage Council hereby gives notice that it has advised the Minister for Heritage that it has resolved that—

1. the places listed in Schedule 1 are of cultural heritage significance, and are of value for the present community and future generations;
2. the protection afforded by the *Heritage of Western Australia Act 1990* is appropriate; and
3. the places should be entered in the Register of Heritage Places on an interim basis.

The places will be entered in the Register of Heritage Places on an interim basis with effect from today in accordance with section 50(1)(b) of the *Heritage of Western Australia Act 1990*. The places listed in Schedule 1 are vested in the Crown, or in a person on behalf of the Crown, in right of the State.

The Heritage Council hereby invites submissions as to whether the places listed in Schedule 1 should be entered in the Register of Heritage Places on a permanent basis. The submissions must be in writing and should be forwarded to the address set out below not later than 8 August 2008.

Schedule 1

Description of Place

Lady Novar Hostel (fmr), Wyalkatchem corner Honour Avenue and Slocum Street, Wyalkatchem; Lot 148 on DP 142368 being Res 17586 & the whole of the land contained in CLT V 3018 F 490.

Masonic Lodge (fmr) Meekatharra corner Darlot Street and Savage Street, Meekatharra; Lot 127 on DP 89085 being Res 42912 & the whole of the land contained in CLT V 3061 F 812.

St Oswald's Anglican Church Darlot Street, Meekatharra; Lot 102 on DP 127074 being portion of Res 11334 & the whole of the land contained in CLT V 3142 F 453.

IAN BAXTER, Director,
Office of the Heritage Council of W.A.,
108 Adelaide Terrace, East Perth WA 6004.

Date: 27 June 2008.

JUSTICE

JU401*

COURT SECURITY AND CUSTODIAL SERVICES ACT 1999

PERMIT DETAILS

Pursuant to the provisions of section 51 of the *Court Security and Custodial Services Act 1999*, the Director General of the Department of the Attorney General has issued the following persons with Permits to do High-Level Security Work—

Surname	First Name(s)	Permit Number	Date Permit Issued	Permit Commence Date	Permit Expiry Date
Barkla	Geoffrey Mark	CS8-188	20/06/2008	20/06/2008	30/07/2011
Berchy	Dominic Jude	CS8-184	20/06/2008	13/06/2008	30/07/2011
Mitchell	Trevor Ronald	CS8-186	20/06/2008	13/06/2008	30/07/2011
Ramsay	Michelle Annette	CS8-187	20/06/2008	18/06/2008	30/07/2011

This notice is published under section 57(1) of the *Court Security and Custodial Services Act 1999*.

PAUL BECKTON, A/CSCS Contract Manager.

JU402*

JUSTICES OF THE PEACE ACT 2004

APPOINTMENT

It is hereby notified for public information that His Excellency the Governor in Executive Council has approved of the following to the Office of Justice of the Peace for the State of Western Australia—

Michael William Podgorny of 35 Talbot Drive, Kingsley

RAY WARNES, Executive Director,
Court and Tribunal Services.

JU403*

JUSTICES OF THE PEACE ACT 2004

RESIGNATIONS

It is hereby notified for public information that the Minister has accepted the resignation of:—

Madeleine Therese Foster of 54 Schofield Parade, Keppel Sands
from the Office of Justice of the Peace for the State of Western Australia.

RAY WARNES, Executive Director,
Court and Tribunal Services.

LOCAL GOVERNMENT

LG401

*SHIRE OF GOOMALLING*APPOINTMENT OF AUTHORISED OFFICER, POUND KEEPER,
REGISTRATION OFFICER AND RANGER

It is hereby notified for public information that Mr Wayne Philip Smith has been appointed an Authorised Officer, Pound Keeper, Registration Officer and Ranger effective from 30th June 2008 for the purposes of administering and enforcing the following Acts and Regulations and Local Laws of the Shire of Goomalling—

1. Dog Act 1976 and Regulations
2. Litter Act 1979
3. Bush Fires Act 1976 and Regulations
4. Shire of Goomalling Local Laws.

The appointment of Mrs Patricia Anne Anderson has been cancelled.

CLEM KERP, Chief Executive Officer.

LG402*

LOCAL GOVERNMENT ACT 1995*City of Wanneroo*

(BASIS OF RATES)

Department of Local Government
and Regional Development.

DLGRD: WC5-4#05

It is hereby notified for public information that in accordance with the provisions of section 6.28 of the *Local Government Act 1995*, the Director General of the Department of Local Government and Regional Development under delegation from the Hon Ljiljanna Ravlich MLC, Minister for Local Government, being charged for the time being with the administration of the *Local Government Act 1995*, has determined that the method of valuing the land described in the Schedule hereunder shall be gross rental value for the purposes of rating with effect from 5 May 2008.

JENNIFER MATHEWS, Director General.

Schedule

ADDITIONS TO GROSS RENTAL VALUE AREA

City of Wanneroo

All those portions of land being Lot 506, as shown on Deposited Plan 47969; Lot 507, as shown on Deposited Plan 47970; Lot 510, as shown on Deposited Plan 47971; Lot 511, as shown on Deposited Plan 47972; Lots 1744 to 1754 inclusive, as shown on Deposited Plan 55238; Lots 1754 to 1782 inclusive, as shown on Deposited Plan 55256; Lots 1536 to 1562 inclusive and Lot 9015, as shown on Deposited Plan 55647; Lots 501 to 505 inclusive, Lots 512 to 551 inclusive and Lot 9004, as shown on Deposited Plan 55749; Lots 411 to 417 inclusive, Lots 420 to 423 inclusive, Lots 429 to 444 inclusive, Lots 446 to 455 inclusive, Lots 457 to 478 inclusive and Lots 480 to 487 inclusive, as shown on Deposited Plan 57136; Lots 401 to 410 inclusive, Lot 418, Lot 419 and Lots 426 to 428 inclusive, as shown on Deposited Plan 57137; Lot 424 and Lot 425, as shown on Deposited Plan 57138; Lots 478 to 483 inclusive, Lot 495, Lot 497, Lots 514 to 519 inclusive, Lot 525, Lot 534, Lot 535, Lot 537, Lot 538, Lots 543 to 570 inclusive and Lot 9509, as shown on Deposited Plan 57628; Lot 520, Lot 533 and Lot 539, as shown on Deposited Plan 57643; Lot 108, Lot 119, Lot 122, Lot 140 and Lot 9014, as shown on Deposited Plan 57657; Lots 719 to 747 inclusive, Lot 749, Lot 750, Lots 758 to 763 inclusive and Lot 9015, as shown on Deposited Plan 58903; Lots 751 to 757 inclusive and Lots 764 to 779 inclusive, as shown on Deposited Plan 58908 and Lots 1566 to 1576 inclusive, Lots 1602 to 1610 inclusive, Lots 1612 to 1616 inclusive, Lots 1633 to 1635 inclusive and Lot 1638, as shown on Deposited Plan 59291.

MINERALS AND PETROLEUM

MP401***MINING ACT 1978**

APPLICATION FOR AN ORDER FOR FORFEITURE

Department of Industry
and Resources, Leonora.

In accordance with Regulation 49(2)(c) of the Mining Regulations 1981, notice is hereby given that the following licences are liable to forfeiture under the provisions of Section 96(1)(a) of the *Mining Act 1978* for failure to comply with the prescribed expenditure conditions.

K. H. AUTY, Warden.

To be heard by the Warden at Leonora on 19 August 2008.

MOUNT MARGARET MINERAL FIELD

Mount Malcolm District

Prospecting Licences

P37/6737—Algeri, Beau Sam

P37/6738—Algeri, Beau Sam

P37/6739—Algeri, Beau Sam

P37/6740—Algeri, Beau Sam

Mount Margaret District

Prospecting Licences

P38/2850—Foley, Michael Joseph

P38/3083—Saracen Gold Mines Pty Ltd

Mount Morgans District

Prospecting Licences

P39/3691—Avoca Resources Ltd

P39/3860—Hawthorn Resources Ltd

MP402***MINING ACT 1978**

APPLICATION FOR AN ORDER FOR FORFEITURE

Department of Industry
and Resources, Leonora.

In accordance with Regulation 49(2)(c) of the Mining Regulations 1981, notice is hereby given that the following licences are liable to forfeiture under the provisions of Section 96(1)(a) of the *Mining Act 1978* for non-payment of rent.

K. H. AUTY, Warden.

To be heard by the Warden in Leonora on 19 August 2008.

MOUNT MARGARET MINERAL FIELD

Mount Malcolm District

Prospecting Licences

P37/6603—Costello, Phillip Gerard
Reed Resources LtdP37/6604—Costello, Phillip Gerard
Reed Resources LtdP37/6605—Costello, Phillip Gerard
Reed Resources LtdP37/6608—Costello, Phillip Gerard
Reed Resources LtdP37/6609—Costello, Phillip Gerard
Reed Resources LtdP37/6610—Costello, Phillip Gerard
Reed Resources LtdP37/6611—Costello, Phillip Gerard
Reed Resources Ltd

P37/6612—Costello, Phillip Gerard
Reed Resources Ltd
P37/6613—Costello, Phillip Gerard
Reed Resources Ltd
P37/6614—Costello, Phillip Gerard
Reed Resources Ltd
P37/6615—Costello, Phillip Gerard
Reed Resources Ltd
P37/6654—Costello, Phillip Gerard
Reed Resources Ltd
P37/6655—Costello, Phillip Gerard
Reed Resources Ltd
P37/6656—Costello, Phillip Gerard
Reed Resources Ltd
P37/6657—Costello, Phillip Gerard
Reed Resources Ltd
P37/6658—Costello, Phillip Gerard
Reed Resources Ltd
P37/6659—Costello, Phillip Gerard
Reed Resources Ltd
P37/6660—Costello, Phillip Gerard
Reed Resources Ltd
P37/6661—Costello, Phillip Gerard
Reed Resources Ltd
P37/6662—Costello, Phillip Gerard
Reed Resources Ltd
P37/6933—O'Connor, Clifford Robert
P37/6934—O'Connor, Clifford Robert

Mount Morgans District
Prospecting Licences

P39/3533—Faull, Tony Roy
P39/4355—Blackley, Keer Thomas

MP403*

MINING ACT 1978
APPLICATION FOR AN ORDER FOR FORFEITURE

Department of Industry
and Resources, Leonora.

In accordance with Regulation 49(2)(c) of the Mining Regulations 1981, notice is hereby given that the following licences are liable to forfeiture under the provisions of Section 96(1)(a) of the *Mining Act 1978* for failure to lodge a report within the prescribed period.

K. H. AUTY, Warden.

To be heard by the Warden at Leonora on 19 August 2008.

MOUNT MARGARET MINERAL FIELD

Mount Malcolm District
Prospecting Licence

P37/6581—Avko Mining Pty Ltd

Mount Morgans District
Prospecting Licence

P39/3533—Faull, Tony Roy

MP404*

MINING ACT 1904
TEMPORARY RESERVES

Department of Industry and Resources,
Perth, 20 June 2008.

In accordance with the provisions of the *Mining Act 1904*, the Lieutenant-Governor and deputy of the Governor in Executive Council has been pleased to deal with the following Temporary Reserve.

STUART SMITH, A/Director General.

The rights of occupancy on the undermentioned Temporary Reserve have been renewed.

Number	Occupant	For Further Period Expiring On	Locality	Mineral Field
5610H	Mitchell Plateau Bauxite Co Pty Ltd Alcoa of Australia Ltd	30 June 2009	Mitchell Plateau	West Kimberley and Kimberley

MP405***MINING ACT 1978****EXEMPTION OF LAND—EXTENSION OF PERIOD**

The Minister for Energy, Resources, Industry and Enterprise pursuant to the powers conferred on him by Section 19 of the *Mining Act 1978*, hereby extends the exemption granted on 26 June 2006 and published in *Government Gazette* dated 7 July 2006 of that area described hereunder (not being private land or land that is the subject of a mining tenement or an application for a mining tenement) from Divisions 1 to 5 of Part IV of the *Mining Act 1978*.

Description of Land

The land designated "S19/299" in the Tengraph electronic plan of the Department of Industry and Resources. A geological description of this land is filed at pages 11 and 12 of Department of Industry and Resources File No. A0675/200601.

Area of Land

289.05 hectares

Locality

Gracetown

Dated at Perth this 16th day of June 2008.

FRANCIS LOGAN MLA, Minister for Energy;
Resources; Industry and Enterprise.

PARLIAMENT

PA401***PARLIAMENT OF WESTERN AUSTRALIA****Royal Assent to Bills**

It is hereby notified for public information that the Governor has Assented in the name and on behalf of Her Majesty the Queen, on the dates shown, to the undermentioned Acts passed by the Legislative Council and the Legislative Assembly during the First Session of the Thirty-Seventh Parliament.

Title of Act	Date of Assent	Act No.
Acts Amendment (Consent to Medical Treatment) Act 2008	19 June 2008	25 of 2008
Children and Community Services Amendment (Reporting Sexual Abuse of Children) Act 2008	19 June 2008	26 of 2008

PETER McHUGH, Acting Clerk of the Parliaments.

Date 23 June 2008.

PLANNING AND INFRASTRUCTURE

PI401*

PLANNING AND DEVELOPMENT ACT 2005

PEEL REGION SCHEME

Clause 47 Certificate

By resolution dated 17 June 2008, the Western Australian Planning Commission has prescribed a fee of twenty five dollars for the issue of a certificate under Clause 47 of the Peel Region Scheme in respect of any land stating the manner in which it is affected by the Scheme and the purpose if any for which the land is reserved under the Scheme.

MOSHE GILOVITZ, Secretary,
Western Australian Planning Commission.

PI402*

PLANNING AND DEVELOPMENT ACT 2005

APPROVED LOCAL PLANNING SCHEME AMENDMENT

Shire of Beverley

Town Planning Scheme No. 2—Amendment No. 11

Ref: 853/4/5/2 Pt 11

It is hereby notified for public information, in accordance with section 87 of the *Planning and Development Act 2005* that the Minister for Planning and Infrastructure approved the Shire of Beverley local planning scheme amendment on 18 May 2008 for the purpose of—

1. Rezoning portion of Lot 3 Langsford Street, Beverley from Farming to Rural Residential.
2. Amending the Scheme Map accordingly.
3. Inserting into schedule 3 of the Scheme Text the below information—

Part of Lot 3 Langsford Street, Beverley	<ol style="list-style-type: none"> 1. The Council shall not support any application for subdivision of the land into Rural Residential lot sizes unless the subdivision is consistent with a Subdivision Guide Plan endorsed by Council and the Commission for a whole or part of the area. 2. A Subdivision Guide Plan for the subdivision of land into Rural Residential lots shall have regard to the objectives set out in the zone and shall include the following provisions— <ul style="list-style-type: none"> • Minimum lot size of 2 ha; • Protection and rehabilitation of natural areas and features including existing native vegetation and drainage lines; • Building envelopes shall be identified for each lot in accordance with the following— <ol style="list-style-type: none"> (i) Be at least 40m from any adjoining lots where farming is or can potentially occur; (ii) Located to ensure that existing vegetation and drainage lines are protected and maintained; and (iii) Located to address any other environmental management issues identified by the Council. • Identify areas outside building envelopes that will be revegetated with native species including a 40 metres native vegetated buffer from lot boundaries that abut farming land; and • Any other matter deemed relevant by the Council. 3. No indigenous vegetation shall be cleared, except where such vegetation is dead or diseased, or where the clearing is required for the purpose of firebreak, dwelling, outbuilding, fence, drainage system, driveway or to accommodate permitted (P) uses and discretionary (AA) uses listed in the zoning table; prior to any such clearing, the developer of the estate/landowner shall seek and obtain the written consent of the Council.
--	--

	<p>4. The subdivider shall prepare and implement an Emergency Management and Fire Management Plan, the construction of the strategic firebreaks depicted on the Subdivision Guide Plan, water supplies and equipment and any other fire management requirements deemed necessary, to the specification and satisfaction of the local authority.</p> <p>5. At the time of the building application for each lot a plan of the site shall be submitted by the applicant to the satisfaction and specification of the Council which shall show site contours, existing trees and stands vegetation, those trees and vegetation to be removed and retained and proposals for tree planting and maintenance.</p> <p>6. Memorials to be incorporated on all title advertising landowners and successors thereof that the land is affected by aircraft noise.</p>
--	--

4. Inserting into Part 4—Development Requirements the information below—

Part 4—Development Requirements

4.14 Water Supply

4.14.1 Where a dwelling is not connected to a reticulation water supply system, no dwelling shall be constructed or approved for construction unless a minimum of 120,000 litres water storage tank or other approved portable water supply and storage facility is established with the dwelling. Council may consider reducing the size of the water storage tank if it can be demonstrated that the dwelling incorporates best practice water efficient design and/or the dwelling contains two or less bedrooms.

4.14.2 Where rainfall is to be used as the predominate source for a water storage tank, the minimum collection, in terms of rain surface runoff, to service the tank, is to be provided. The collection area will normally comprise of the area of structures on the lot and may include the dwelling, outbuildings and any other structure capable of collecting and directing water into the tank. The size of the collection area is to be based on the following calculation—

Collection area (m²) = 120 000 divided by 0.85 x (local rainfall—24mm)

- Collection area (m²) is the minimum area for the rain surface runoff that is required to service the water tank.
- 120 000 is the minimum size of the water tank in litres unless Council had determined an alternative size (in accordance with the scheme).
- 0.85 is the efficiency of the collection meaning a minimum of 85% of the water will be collected (Council may accept a greater efficiency rate if it can be demonstrated through design).
- Local rainfall is the average annual mean rainfall, measured in millilitres (mm) guided by the nearest collection point provided by the Bureau of Meteorology.
- 24mm is the anticipated loss through absorption and wetting of materials based on 2mm a month.

J. D. ALEXANDER, Shire President.
K. L. BYERS, Chief Executive Officer.

PI403*

SUBIACO REDEVELOPMENT ACT 1994

SUBIACO REDEVELOPMENT AUTHORITY

Subiaco Redevelopment Scheme

Amendment No. 6

AVAILABLE FOR PUBLIC INSPECTION

It is hereby notified for public information that the Minister for Planning and Infrastructure has approved for advertising Amendment No. 6 to the Subiaco Redevelopment Scheme. Amendment No. 6 relates to the general amendment and update of the Scheme text through removal of redundant provisions and introduction of new provisions to address limitations identified during the use and review of the Scheme document.

Comments are now invited on the proposed Amendment. The Scheme Report for Amendment No. 6 will be available for inspection at the office of the Subiaco Redevelopment Authority, 12 Lindsay Street, Perth between the hours of 8:30am and 5:00pm Monday to Friday and may also be viewed on the Authority's website www.sra.wa.gov.au.

Written submissions should be addressed to—

The Chief Executive Officer
Subiaco Redevelopment Authority
Locked Bag 8
Perth Business Centre
WA 6849
Attention: Planning Manager

The closing date for submissions is Friday 8 August 2008.

RACING, GAMING AND LIQUOR

RG401*

LIQUOR CONTROL ACT 1988

LIQUOR APPLICATIONS

The following is a summary of applications received under the *Liquor Control Act 1988 (the Act)* and required to be advertised.

Any person wishing to obtain more details about any application, or about the objection process, should contact the Department of Racing, Gaming & Liquor, 1st Floor, 87 Adelaide Terrace, Perth, Telephone: (08) 9425 1888, or consult a solicitor or relevant industry organisation.

App. No.	Applicant	Nature of Application	Last Date for Objections
APPLICATIONS FOR THE GRANT OF A LICENCE			
12307	Lesmurdie Tennis Club Inc	Application for the grant of a Club Restricted licence in respect of premises situated in Lesmurdie and known as the Lesmurdie Tennis Club Inc	13/07/2008
12371	Luzerno Investments Pty Ltd	Application for the grant of a Wholesaler's licence in respect of premises situated in East Perth and known as Luzerno Investments Pty Ltd	06/07/2008
12377	Kapinkoff Nominees Pty Ltd	Application for the grant of a Tavern licence in respect of premises situated in Carramar and known as Carramar Family Pub	27/07/2008
12379	Conseco Pty Ltd	Application for the grant of a Producer's licence in respect of premises situated in Carmel and known as Fairbrossen Estate	22/07/2008
12386	Frank Ottaviano	Application for the grant of a Special Facility—Reception Centre licence in respect of premises situated in Hamilton Hill and known as Rialtos Function Centre	25/07/2008
12389	Off the Vine Distributor's Pty Ltd	Application for the grant of a Wholesaler's licence in respect of premises situated in Welshpool and known as Off the Vine Distributors	07/07/2008
12390	Perth Daejangkum Pty Ltd	Application for the grant of a Restaurant licence in respect of premises situated in Northbridge and known as Perth Daejangkum Restaurant	28/07/2008
12393	Pachelbel Wines Pty Ltd	Application for the grant of a Producer's licence in respect of premises situated in Torbay and known as Pachelbel Wines Pty Ltd	30/07/2008
APPLICATIONS FOR EXTENDED TRADING PERMITS—ONGOING EXTENDED HOURS			
32354	Halcyon (WA) Pty Ltd and Morseto Pty Ltd	Application for the grant of an extended trading permit—ongoing extended hours, in respect of premises situated in Kalgoorlie and known as Kalgoorlie Hotel	10/07/2008
32142	Punt Holdings Pty Ltd	Application for the grant of an extended trading permit—ongoing hours, in respect of premises situated in Northbridge and known as Rosie O'Grady's Pub	10/07/2008

APPLICATION FOR EXTENDED TRADING PERMITS—LIQUOR WITHOUT A MEAL

32249	Highlight Investments Pty Ltd	Application for the grant of an extended trading permit—liquor without a meal, in respect of premises situated in Mandurah and known as Jolly Frog Café Restaurant	08/07/2008
-------	-------------------------------------	--	------------

This notice is published under section 67(5) of the Act.

Dated: 25 June 2008.

B. A. SARGEANT, Director of Liquor Licensing.

TREASURY AND FINANCE

TF401*

TAXATION ADMINISTRATION ACT 2003

COMMISSIONER'S PRACTICES

Under the provisions of section 127 of the *Taxation Administration Act 2003*, the following Commissioner's Practices are hereby published for public information—

- DA 1.0 DUTIES—DUTIABLE VALUE OF A PARTNERSHIP ACQUISITION
- DA 2.0 DUTIES—RELATED PERSONS AND PUBLIC FLOATS
- DA 3.0 DUTIES—TRANSFERS OF DUTIABLE PROPERTY TO AND FROM A TRUSTEE
- DA 4.0 DUTIES—TRANSACTION SPLITTING—SUBSTANTIALLY ONE ARRANGEMENT
- DA 5.0 DUTIES—OPTION AGREEMENTS
- DA 6.0 DUTIES—DETERMINATION OF FIXTURES AND CHATTELS IN WESTERN AUSTRALIA
- DA 7.0 DUTIES—DUTIABLE TRANSACTIONS RELATING TO SAND, STANDING TIMBER AND GROWING CROPS
- DA 8.0 DUTIES—VALUATION OF VENDOR SHARES ISSUED AS CONSIDERATION FOR A DUTIABLE TRANSACTION
- DA 10.0 DUTIES—CONDITIONAL AGREEMENTS—TIMBER PEST PRE-PURCHASE REPORTS (WHITE ANT CERTIFICATES)
- DA 11.0 DUTIES—DUTIABLE TRANSACTIONS INVOLVING A UNIT ENTITLEMENT UNDER THE *FISH RESOURCES MANAGEMENT ACT 1994*—CLAIM OF NO PASSING OF A BENEFICIAL INTEREST
- DA 12.0 DUTIES—APPORTIONMENT OF GENERAL INSURANCE PREMIUMS BETWEEN JURISDICTIONS
- DA 13.0 DUTIES—APPORTIONMENT OF GENERAL INSURANCE PREMIUMS FOR OFFSHORE RISK INSURANCE
- DA 14.0 DUTIES—INFORMATION REQUIREMENTS
- TAA 7.1 WAIVER OF TAX
- TAA 8.4 VALUATION OF LAND FOR STAMP DUTY AND DUTIES PURPOSES
- TAA 9.1 VALUATION OF MINING TENEMENTS FOR STAMP DUTY AND DUTIES PURPOSES
- TAA 10.1 VALUATION OF PASTORAL LEASE PROPERTY FOR STAMP DUTY AND DUTIES PURPOSES
- TAA 13.2 VALUATION OF LIFE INTERESTS, REMAINDER INTERESTS AND RIGHTS TO RESIDE FOR STAMP DUTY AND DUTIES PURPOSES
- TAA 14.1 APPLICATIONS FOR REASSESSMENT
- TAA 16.1 CERTAIN ASSESSMENT AND REASSESSMENT TIME LIMITS
- SD 1.5 STAMP DUTY—ASSESSMENT OF CONTRACTS OR AGREEMENTS INVOLVING SUBSTITUTED PURCHASERS AND/OR NOMINEE CLAUSES
- SD 3.1 STAMP DUTY—CONVEYANCE OR TRANSFER OF PROPERTY TO A TRUSTEE PURSUANT TO SECTION 73AA(1)(f)
- SD 4.1 STAMP DUTY—CONVEYANCE OF PROPERTY TO A UNIT TRUST—CLAIM OF NO CHANGE IN BENEFICIAL OWNERSHIP
- SD 5.1 STAMP DUTY—CONVEYANCE OF PROPERTY TO A SUPERANNUATION FUND—CLAIM OF NO CHANGE IN BENEFICIAL OWNERSHIP
- SD 7.3 STAMP DUTY—REDUCTIONS OF DUTY WHERE MATTER NOT CARRIED INTO EFFECT
- SD 8.2 STAMP DUTY—REDUCTION OF CONSIDERATION

- SD 9.2 STAMP DUTY—UNIT AND DISCRETIONARY TRUST DEEDS
SD 11.2 STAMP DUTY—PART IVD—MAINTENANCE AGREEMENTS AND ORDERS
SD 12.2 STAMP DUTY—SECTION 75AF—CONTRACT SPLITTING—SUBSTANTIALLY ONE TRANSACTION OR ONE SERIES OF TRANSACTIONS
SD 14.1 STAMP DUTY—ACQUISITION OR DISPOSAL OF AN INTEREST IN A PARTNERSHIP
SD 17.2 STAMP DUTY—COLLATERAL HOME MORTGAGES
SD 18.1 STAMP DUTY—OPTION AGREEMENTS
SD 19.1 STAMP DUTY INFORMATION REQUIREMENTS
SD 25.2 STAMP DUTY—FRANCHISE AGREEMENTS
SD 27.1 STAMP DUTY—EFFECTIVE DATE OF ACQUISITION OF PROPERTY BY A PRIVATE UNIT TRUST—WHEN OWNERSHIP CHANGES
SD 29.3 STAMP DUTY—DETERMINATION OF FIXTURES AND CHATTELS
SD 30.1 STAMP DUTY—SALE OF SAND, STANDING TIMBER AND GROWING CROPS
SD 31.5 STAMP DUTY—PRIVATE UNIT TRUSTS
SD 32.1 STAMP DUTY—RENUNCIATION OF AN INTEREST IN AN ESTATE
SD 33.1 STAMP DUTY—TRANSFERS OF PROPERTY PURSUANT TO A WILL / *ADMINISTRATION ACT 1903* OR BY PARTITION OR APPROPRIATION
SD 34.2 STAMP DUTY—ISSUE OF VENDOR SHARES AS CONSIDERATION FOR PROPERTY
SD 37.3 STAMP DUTY—AVAILABILITY OF CONCESSIONS AND REBATES WHEN INTERESTS IN CONTRACTS ARE ASSIGNED
SD 38.2 STAMP DUTY—ENDORSEMENTS IN RELATION TO DOCUMENTED OR UNDOCUMENTED STATUTORY LICENCE TRANSFERS
SD 39.1 STAMP DUTY—INSURANCE—APPORTIONMENT OF GENERAL INSURANCE PREMIUMS BETWEEN JURISDICTIONS
SD 42.2 STAMP DUTY—MORTGAGES—NO ADVANCE OR ADVANCES OF LESS THAN \$10,000 OR \$16,000
SD 43.1 STAMP DUTY—EXERCISE OF DISCRETION IN RELATION TO PROVISIONAL PUBLIC TRUSTS
SD 44.1 STAMP DUTY—CONDITIONAL CONTRACTS—TIMBER PEST PRE-PURCHASE REPORTS (WHITE ANT CERTIFICATES)
SD 46.1 STAMP DUTY—TRANSFER OR LEASE OF A UNIT ENTITLEMENT UNDER THE *FISH RESOURCES MANAGEMENT ACT 1994*—CLAIM OF NO CHANGE IN BENEFICIAL OWNERSHIP
SD 47.2 STAMP DUTY—INSURANCE—APPORTIONMENT OF GENERAL INSURANCE PREMIUMS FOR OFFSHORE RISK INSURANCE

Under the provisions of section 30 of the *Taxation Administration Act 2003*, the following Commissioner's Practice is hereby published for public information—

- TAA 18.0 REMISSION OF PENALTY TAX—LATE LODGMENT AND NON-LODGMENT OF RETURNS, TRANSACTION RECORDS, INSTRUMENTS AND DUTIABLE STATEMENTS
TAA 19.0 REMISSION OF PENALTY TAX—REASSESSMENTS
TAA 20.0 REMISSION OF PENALTY TAX—FOR LATE PAYMENT

Full details of each Commissioner's Practice can be obtained from the Office of State Revenue website at www.osr.wa.gov.au.

B. SULLIVAN, Commissioner of State Revenue,
Department of Treasury and Finance.

WATER/SEWERAGE

WA401*

WATER AGENCIES (POWERS) ACT 1984

City of Wanneroo

WATER SUPPLY IMPROVEMENTS

Butler, Nowergup and Carabooda

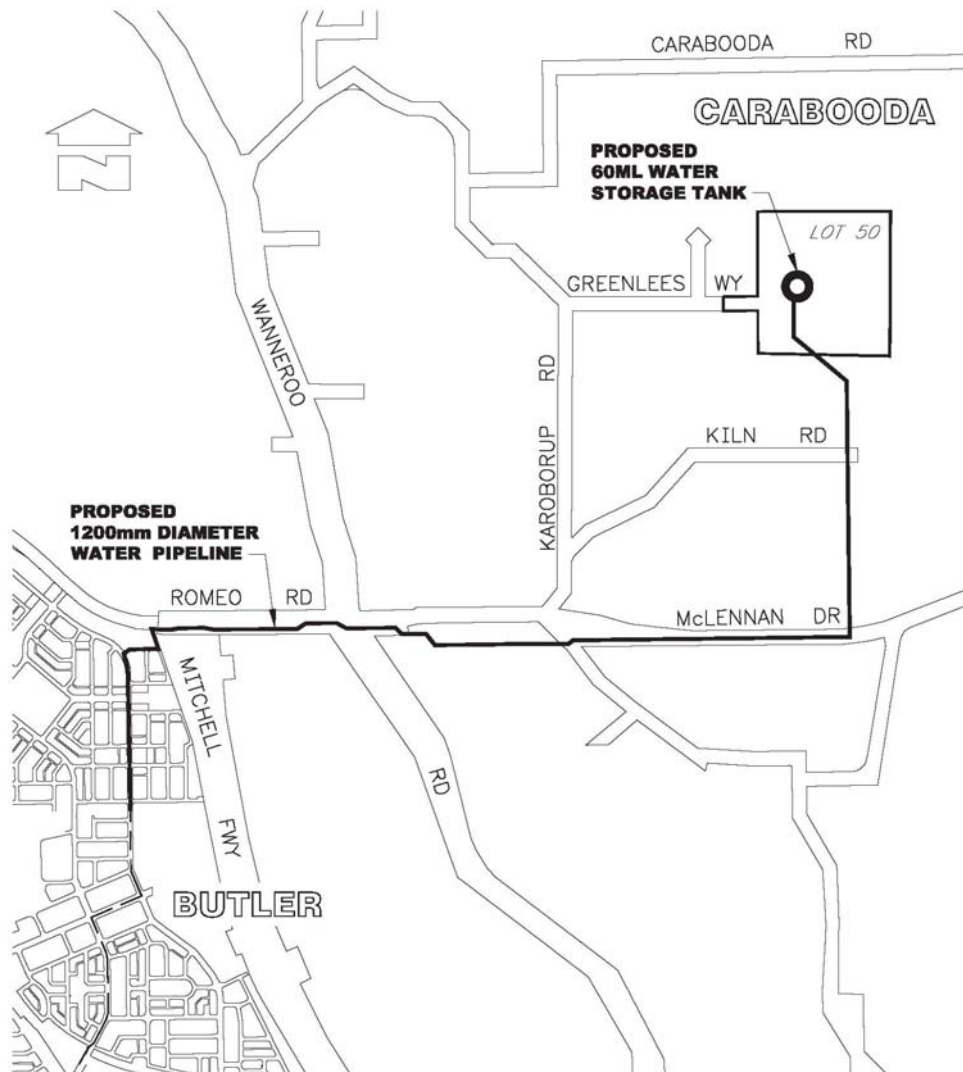
Proposal to Construct a 60ML Water Storage Tank and 1200mm Diameter Water Pipeline

To improve the supply of water within the City of Wanneroo, the Water Corporation proposes to construct a 60ML (60,000 cubic metre) water storage tank, and a 1200mm diameter water pipeline.

The proposed works are scheduled to commence in October 2008 and will continue for a duration of approximately 20 months.

Objections to the proposed works will be considered if lodged in writing, addressed to the Project Manager, Mr Jeff White, at the Water Corporation, PO Box 100, Leederville, WA 6902 before the close of business on the 25 July 2008.

Further information may also be obtained by contacting Mr Jeff White, at the Water Corporation, telephone (08) 9420 3642.



WA402*

WATER AGENCIES (POWERS) ACT 1984

PROPOSAL TO CONSTRUCT HARVEY SUMMIT TANK

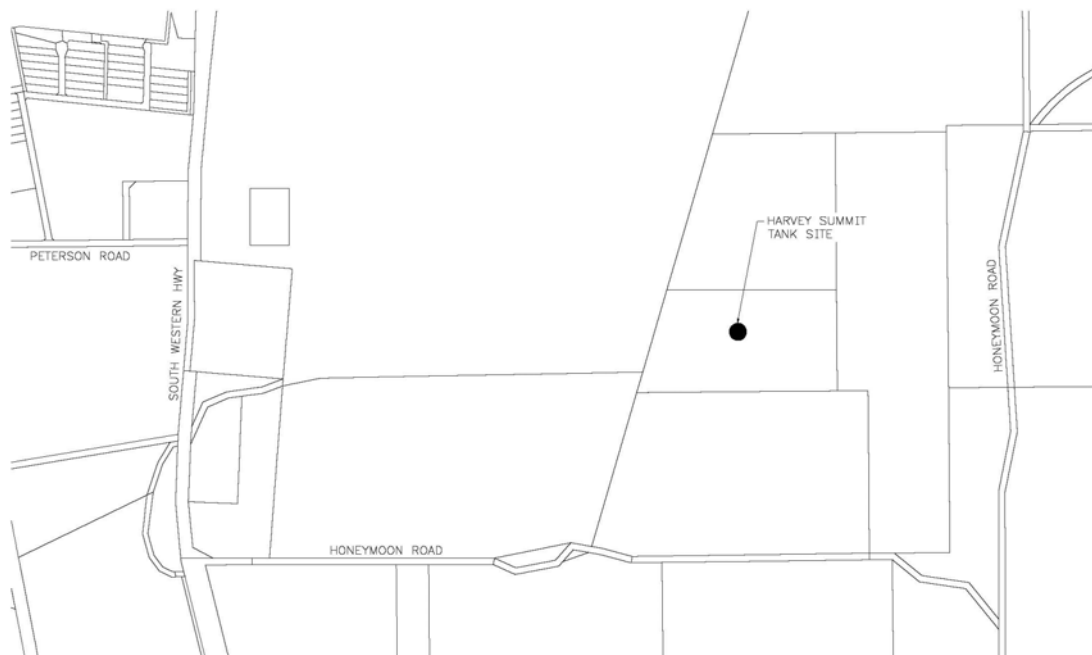
The proposed Southern Seawater Desalination Project has been chosen as the next major water source for Western Australia and will produce around 50 gegalitres of drinking water per year, with the potential to increase to 100 gegalitres. The works will include a desalination plant at Taranto Rd, Binningup, a 30km pipeline and a summit tank near Harvey as shown in the map above. This notice is for the construction of the Harvey Summit Tank.

Construction of the tank is scheduled to begin in April 2009 and will continue for approximately 20 months. It is important to note the project will not go ahead until final environmental approvals have been gained.

A copy of this Notice of Proposal (referred to as plan JK87-0-1) is available for viewing during office hours at the Water Corporation's John Tonkin Water Centre, 629 Newcastle St, Leederville and the Bunbury Regional Business Office, Level 3, Bunbury Tower, 61 Victoria St, Bunbury.

If you would like any specific details or to discuss the project, please contact the Project Manager John Goulee on (08) 9420 2149.

Written objections should be sent to John Goulee, Project Management Branch, Water Corporation, PO Box 100, Leederville WA 6902 or faxed to (08)9420 2775 before the close of business on 25 July 2008.



WA403*

WATER AGENCIES (POWERS) ACT 1984

PROPOSAL TO CONSTRUCT A NEW SEAWATER DESALINATION PLANT

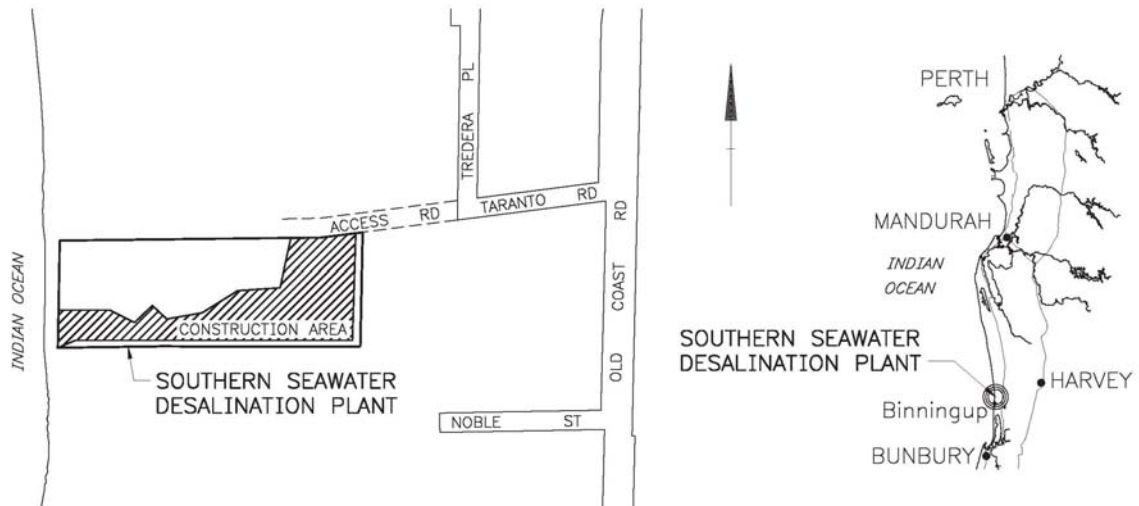
The proposed Southern Seawater Desalination Plant has been chosen as the next major water source for Western Australia. The plant is located at Taranto Rd, Binningup as shown in the map above and will produce around 50 gigalitres of drinking water per year, with the potential to increase to 100 gigalitres.

Construction is scheduled to begin in January 2009 and will continue for approximately 30 months. Construction commencement is subject to final environmental approval.

A copy of this Notice of Proposal (referred to as IK67-0-1) is available for viewing during office hours at the Water Corporation's John Tonkin Water Centre, 629 Newcastle St, Leederville and the Bunbury Regional Business Office, Level 3, Bunbury Tower, 61 Victoria St, Bunbury.

If you would like any specific details or to discuss the project, please contact the Project Manager John Stansfield on (08) 9420 3406.

Written objections should be sent to John Stansfield, Project Management Branch, Water Corporation, PO Box 100, Leederville WA 6902, or faxed to (08) 9420 2775 before the close of business on 25 July 2008.



WORKCOVER

WC401

WORKERS' COMPENSATION AND INJURY MANAGEMENT ACT 1981

PRESCRIBED AMOUNT

In accordance with section 315 of the *Workers' Compensation and Injury Management Act 1981*, I hereby publish for public information the following amounts for the financial year beginning 1 July 2008—

- (a) prescribed amount is \$168,499;
- (b) amount A for the purposes of section 93F and 93K is \$353,850; and
- (c) amount C for the purposes of Schedule 1, clause 11 is \$1,904.40.

The full schedule of payments titled "Variations in Prescribed Amount and Other Workers' Compensation Payments" is available from the WorkCover WA website at www.workcover.wa.gov.au or by contacting the WorkCover WA Infoline on 1300 794 744.

Hon JON FORD JP MLC, Minister for Employment Protection.

DECEASED ESTATES

ZX401

TRUSTEES ACT 1962

DECEASED ESTATES

Notice to Creditors and Claimants

In the matter of the Estate of David Arthur Johnson, late of 29 Pelham Street, York in the State of Western Australia, Retired Customs Officer, deceased.

Creditors and other persons having claims (to which Section 63 of the *Trustees Act 1962*, relates) in respect of the Estate of the deceased, who died on the 24th day of April 2008, are required by the Executor, Robert Vojakovic to send the particulars of their claim to Messrs Taylor Smart of 1 Regal Place, East Perth in the State of Western Australia, by the 28th day of July 2008 after which date the said Executor may convey or distribute the assets, having regard only to the claims of which he then has had notice.

Dated the 20th day of June 2008.

GARRY E. SAME, Taylor Smart.

ZX402*

TRUSTEES ACT 1962

DECEASED ESTATES

Notice to Creditors and Claimants

Creditors and other persons having claims (to which Section 63 of the Trustees Act, relates) in respect of the Estates of the undermentioned deceased persons are required to send particulars of their claims to me on or before the 27 July 2008 after which date I may convey or distribute the assets, having regard only to the claims of which I then have notice.

Atkinson, Constance Elizabeth, late of Grevillia House, 44 Chilcott Street, Calista, died 24.05.2008 (DE33050490EM12)

Bowra, Eugene Ferdinand, late of 19 Camboon Road, Morley, died 25.05.2008 (DE19630840EM32)

Clear, Iris May, late of c/-Carinya Park Retirement Village, Unit 8/2 Plantation Street, Menora, died 11.04.2008 (DE19811178EM23)

Dufall, Desmond Sydney, late of 1/17 Axford Street, Como, died 23.05.2008 (DE19922518EM26)

Elve, Barbara Anne, late of 42 John Street, Midland, died 15.02.2008 (DE33054341EM27)

Grigg, Elizabeth Florence, late of 5 Munro Road, Applecross, died 14.01.2008 (DE33041918EM214)

Hall, Mona Elizabeth, late of 21 Marlow Street, Wembley, died 7.02.2008 (DE33065469EM213)

Hill, Grace Patricia, late of Pilgrim Hostel, 22 Wolsely Road, East Fremantle, died 9 June 2008 (DE19662189EM37)

Jones, Margaret Ruth, late of Brightwater, 2-10 Oakwood Crescent, Waikiki, died 12.05.2008 (DE19601117EM15)

Jones, Marie Ann, late of Kensington Park Nursing Home, 62 Gwentyfred Road, Kensington, died 09.01.2008 (DE19992867EM16)

Loveday, Daniel Kenneth, late of 6 Asher Way, Bullsbrook, died 18.05.2008 (DE33051643EM22)

McEwan, Maxwell Gillard, late of 4 Regency Avenue, Madeley, died 1.06.2008 (DE33032540EM36)

Sherriffs, Mary Ellen, late of 86 Riley Street, Tuart Hill, died 12.04.2008 (DE19881434EM110)

Skehan, Olive Hazel, late of Little Sisters of the Poor, 1 Croesus Street, Kalgoorlie, died 25.05.2008 (DE19753215EM17)

Tregoweth, Ann, late of 10 Windsor Road, East Fremantle, died 26.12.2007 (DE31050874EM16)

Waddingham, Norma May Patricia, late of Rockingham Nursing Home, Langley Street, Rockingham, died 12.05.2008 (DE19803036EM37)

Wedgner, Dennis, late of Brightwater, 35 Hudson Drive, Dudley Park, died 9.06.2007 (DE30333994EM36)

JOHN SKINNER, Public Trustee,
Public Trust Office,
565 Hay Street,
Perth WA 6000.
Telephone: 9222 6777

ZX403*

PUBLIC TRUSTEE ACT 1941

ADMINISTERING OF ESTATES

Notice is hereby given that pursuant to Section 14 of the *Public Trustee Act 1941* and amendments the Public Trustee has elected to administer the estates of the undermentioned deceased persons.

Dated at Perth the 27th day of June 2008.

JOHN SKINNER, Public Trustee,
565 Hay Street, Perth WA 6000.

Name of Deceased; Address; Date of Death; Date Election Filed.

Kay Maxine Watts; 202 Middleton Road, Albany; 6 December 2007; 10 June 2008.
(DE19932481EM38)

Thelma Woodcock; 45 Felspar Street, Narrogin; 9 May 2007; 24 June 2008.
(DE19942192EM37)

ZX404

**TRUSTEES ACT 1962
DECEASED ESTATES**

Notice to Creditors and Claimants

In the matter of Rita Edith Schoch, late of Greenfields Aged Care Facility, 95 Lakes Road, Mandurah, Western Australia, in the State of Western Australia, deceased.

Creditors and other persons who have claims (to which section 63 of the *Trustees Act 1962*, relates) in respect of the estate of the abovementioned deceased who died on 14 December 2007 at Greenfields Aged Care Facility, 95 Lakes Road, Mandurah in the State of Western Australia are required by the Executrices of her estate, Anne Merrilyn Harris and Helen Rita Klimak, to send particulars of their claims to them C/- Bostock & Ryan, PO Box 200, Victoria Park WA 6979 by 25 July 2008 after which date the Executrices may convey or distribute the assets having regard only to the claims of which they have notice.

Dated: 25 June 2008.

BOSTOCK & RYAN, Solicitors for the Executrices,
Suite 3, 20 Twickenham Road,
BURSWOOD WA 6100.

**STATE LAW PUBLISHER
SUBSCRIPTION RATES FOR 2009**

All subscriptions are for the period from 1 January to 31 December 2009. Subject to certain limitations, refunds may be allowed if a subscription is cancelled during the year. The prices quoted include GST where applicable and postage by surface mail unless stated otherwise.

GOVERNMENT GAZETTE

General *Government Gazettes* are published on Tuesday and Friday of each week, unless disrupted by public holidays or unforeseen circumstances.
Special *Government Gazettes* are published periodically on any day.

All Gazettes	\$
Within WA	949.75
Interstate	966.80

Bound Volumes of full year 1,177.20

INDUSTRIAL GAZETTE

Industrial Gazette is published monthly.

	\$
Within WA	456.10
Interstate	543.50

HANSARD

Hansard is printed and distributed weekly during parliamentary sessions.

	\$
Within WA	900.80
Interstate	1,101.00

Bound Volumes of Hansard

Within WA	888.25
Interstate	902.00

STATUTES

Bound Statutes

Bound volumes are posted during March of the following year.

	\$
Within WA.....	320.75
Interstate	357.15
Overseas	415.65
Half Calf Bound Statutes	886.05

Loose Statutes

Statutes are posted weekly as they become available.

	\$
Within WA.....	345.75
Interstate	357.15

Sessional Bills

Bills are posted weekly as they become available.

	\$
Within WA	475.45
Interstate	498.20

WorkSafe Online

Information and advice on workplace safety and health is available direct to your workplace through the WorkSafe website.

www.worksafe.wa.gov.au

The WorkSafe website is user friendly and packed with valuable information to assist employers, employees, and all those involved in work to meet their obligations under the *Occupational Safety Act 1984*.

For further information call WorkSafe on (08) 93278777