



Government Gazette

OF
WESTERN AUSTRALIA

(Published by Authority at 3.30 p.m.)

(REGISTERED AT THE GENERAL POST OFFICE, PERTH, FOR TRANSMISSION BY POST AS A NEWSPAPER)

No. 35]

PERTH: FRIDAY, 21st APRIL

[1967

Legal Practitioners Act Amendment Act, 1966.

PROCLAMATION

WESTERN AUSTRALIA, } By His Excellency Major-General Sir Douglas
TO WIT, } Anthony Kendrew, Knight Commander of the
DOUGLAS ANTHONY } Most Distinguished Order of Saint Michael and
KENDREW, } Saint George, Companion of the Most Honour-
Governor, } able Order of the Bath, Commander of the
[L.S.] } Most Excellent Order of the British Empire,
Companion of the Distinguished Service Order,
Governor in and over the State of Western
Australia and its Dependencies in the Com-
monwealth of Australia.

WHEREAS it is enacted by section two of the Legal Practitioners Act Amendment Act, 1966, that the Act shall come into operation on a date to be fixed by proclamation: Now, therefore, I, the Governor, acting with the advice and consent of the Executive Council, do hereby fix the date on which this proclamation is published in the *Government Gazette* as the date on which the Legal Practitioners Act Amendment Act, 1966, shall come into operation.

Given under my hand and the Public Seal of the said State, at Perth, this 19th day of April, 1967.

By His Excellency's Command,

ARTHUR F. GRIFFITH,
Minister for Justice.

GOD SAVE THE QUEEN ! ! !

Companies Act, 1961-1966.

PROCLAMATION

WESTERN AUSTRALIA, } By His Excellency Major-General Sir Douglas
TO WIT, } Anthony Kendrew, Knight Commander of the
DOUGLAS ANTHONY } Most Distinguished Order of Saint Michael and
KENDREW, } Saint George, Companion of the Most Honour-
Governor, } able Order of the Bath, Commander of the
[L.S.] } Most Excellent Order of the British Empire,
Companion of the Distinguished Service Order,
Governor in and over the State of Western
Australia and its Dependencies in the Com-
monwealth of Australia.

WHEREAS it is enacted, *inter alia*, by subsections (2) and (3) of section 172 of the Companies Act, 1961-1966, that the Governor may, by proclamation, declare that a company is a company to which Division 4 of Part VI of the Act applies and that a declaration shall not be made in respect of a company unless the Governor is satisfied that it is in the public interest that the affairs of the company should be investigated under that Division: Now, therefore, I, the Governor, acting with the advice and consent of the Executive Council and in exercise of the powers conferred by section

172 of the Companies Act, 1961-1966 being satisfied that it is in the public interest that the affairs of the companies set forth in the Schedule to this Proclamation should be investigated under Division 4 of Part VI of that Act, do hereby declare that those companies are companies to which that Division applies:—

Schedule.

Wool Exporters Holdings Pty Ltd.
Wool Exporters Pty Ltd.
Hewett Wools Pty Ltd.
Overseas Wool Country Division Pty Ltd.

Given under my hand and the Public Seal of the said State, at Perth, this 19th day of April, 1967.

By His Excellency's Command,

ARTHUR F. GRIFFITH,
Minister for Justice.

GOD SAVE THE QUEEN !!!

Native Welfare, Act, 1963.

Reserve for Natives.

PROCLAMATION

WESTERN AUSTRALIA, } By His Excellency Major-General Sir Douglas
TO WIT, } Anthony Kendrew, Knight Commander of the
DOUGLAS ANTHONY } Most Distinguished Order of Saint Michael and
KENDREW, } Saint George, Companion of the Most Honour-
Governor, } able Order of the Bath, Commander of the
[L.S.] } Most Excellent Order of the British Empire,
Companion of the Distinguished Service Order,
Governor in and over the State of Western
Australia and its Dependencies in the Com-
monwealth of Australia.

WHEREAS by section 18 of the Native Welfare Act, 1963, it is provided that the Governor is empowered by proclamation to declare any Crown Lands to be a Reserve for Natives; and whereas it is now deemed desirable that a Reserve for Natives should be declared at Cranbrook: Now, therefore, I, the said Governor, with the advice of the Executive Council, do hereby declare all that portion of land, being Cranbrook Lot No. 222 to be a Reserve for Natives. (Reserve No. 28444.)

Given under my hand and the Public Seal of the said State at Perth, this 5th day of April, 1967.

By His Excellency's Command,

L. A. LOGAN,
Acting Minister for Native Welfare.

GOD SAVE THE QUEEN ! ! !

AT a meeting of the Executive Council held in the Executive Council Chambers, at Perth, this 5th day of April, 1967, the following Orders in Council were authorised to be issued:—

Land Act, 1933-1965.

ORDER IN COUNCIL.

Corres. 2006/58.

WHEREAS by section 33 of the Land Act, 1933-1965, it is *inter alia*, made lawful for the Governor by Order in Council, to direct that any land reserved pursuant to the provisions of this Act shall be granted in fee simple to any person (as defined in the said section) subject to the conditions that the person shall not lease or mortgage the whole or any part of the land without the consent of the Governor and subject to such other conditions and limitations as the Governor shall deem necessary to ensure that the land is used for the purpose for which the land is reserved as aforesaid; and whereas it is deemed expedient that Reserve No. 28529 (Wandering Lot 32) should, subject as aforesaid be granted in fee simple to the Country Women's Association of Western Australia Incorporated, to be held in trust for the purpose of a "Rest Room Site": Now, therefore, His Excellency the Governor by and with the advice and consent of the Executive Council doth hereby direct that the beforementioned reserve shall be granted in fee simple to the aforesaid body, to be held in trust for the aforesaid purpose, subject to the conditions that the land shall not be leased or mortgaged in whole or in part without the consent of the Governor.

W. S. LONNIE,
Clerk of the Council.

Land Act, 1933-1965.

ORDERS IN COUNCIL.

WHEREAS by section 33 of the Land Act, 1933-1965, it is made lawful for the Governor to direct that any Reserve shall vest in and be held by any municipality, body corporate, or other person or persons to be named in the order in trust for the like or other public purposes to be specified in such order; and whereas it is deemed expedient as follows:—

Corres. 9552/08.—That Reserve No. 12586 should vest in and be held by the Shire of Narrogin, in trust for the purpose of "Gravel".

Corres. 685/62.—That Reserve No. 28533 should vest in and be held by the Gnowangerup Shire Council, in trust for the purpose of "Sanitary and Rubbish Disposal".

Now, therefore, His Excellency the Governor, by and with the advice and consent of the Executive Council, doth hereby direct that the beforementioned Reserves shall vest in and be held by the abovementioned Councils, in trust for the purposes aforesaid, subject nevertheless to the powers reserved to him by section 37 of the said Act.

W. S. LONNIE,
Clerk of the Council.

Forests Act, 1918-1964.

ORDER IN COUNCIL.

Forests 615/63; Lands 8190/10.

WHEREAS by the Forests Act, 1918-1964, it is provided that the Governor may by Order in Council declare any Crown Lands as Timber Reserves within the meaning and for the purposes of that Act: Now, therefore, His Excellency the Governor with the advice and consent of the Executive Council doth hereby declare that Wellington Location 5007 shall be set apart as Timber Reserve No. 170/25 within the meaning and for the purposes of the said Act. (Public Plan 414A/40C.2.)

W. S. LONNIE,
Clerk of the Council.

LAND AGENTS ACT, 1921.

Application for Transfer of a License.

To the Court of Petty Sessions at Perth:

I, HILDA LILIAN LINDSAY, of 1 Jennifer Way, Rossmoyne, hereby apply as nominee of Farrant West Pty Ltd, for the license currently issued to Hilda Lilian Lindsay, as nominee of Ascot Homes Pty Ltd, to be transferred to me to carry on business as a Land Agent at 105 Hay Street, Subiaco.

Dated the 22nd day of March, 1967.

H. LINDSAY,
Signature of Applicant (Transferee).

I, Hilda Lilian Lindsay, concur in this application.

H. LINDSAY,
Signature of Transferor.

Appointment of Hearing.

I hereby appoint the 9th day of May, 1967, at 2.15 o'clock in the afternoon as the time for the hearing of the foregoing application at the Court of Petty Sessions at Perth.

Dated the 30th day of March, 1967.

R. LANGER,
for Clerk of Petty Sessions.

Objection to the granting of the license may be served on the applicant and the Clerk of Petty Sessions at any time prior to seven days before the date appointed for the hearing.

LAND AGENTS ACT, 1921.

Application for Transfer of a License.

To the Court of Petty Sessions at Perth:

I, ARTHUR JOHN KNIGHT, of 168b The Esplanade, Scarborough, hereby apply on behalf of a firm Arthur Knight & Co. the partners of which are Arthur John Knight and John Leslie Grows, for the license currently issued to Arthur John Knight on behalf of a firm Arthur Knight and Co. to be transferred to me to carry on business as a Land Agent at 30 St George's Terrace (Anzac House), Perth.

Dated the 12th day of April, 1967.

J. L. GROWNS,
Signature of Applicant (Transferee).

I, Arthur John Knight, concur in this application.

A. J. KNIGHT,
Signature of Transferor.

Appointment of Hearing.

I hereby appoint the 30th day of May, 1967, at 2.15 o'clock in the afternoon as the time for the hearing of the foregoing application at the Court of Petty Sessions at Perth.

Dated the 18th day of April, 1967.

J. G. GODFREY,
Clerk of Petty Sessions.

Objection to the granting of the license may be served on the applicant and the Clerk of Petty Sessions at any time prior to seven days before the date appointed for the hearing.

LAND AGENTS ACT, 1921.

Application for license in the first Instance.

To the Court of Petty Sessions at Perth:

I, CHARLES KENNETH McCARTER, of 68 Stirling Highway, Nedlands, retired banker, having attained the age of 21 years, hereby apply on my behalf for a license to carry on the business of a land agent under the Land Agents Act, 1921. The

principal place of business will be at 1st Floor Occidental House, 49 St. George's Terrace, Perth, W.A.

Dated the 13th day of April, 1967.

C. K. McCARTER,
Signature of Applicant.

Appointment of Hearing.

I hereby appoint the 30th day of May, 1967, at 2.15 o'clock in the afternoon as the time for the hearing of the foregoing application at the Court of Petty Sessions at Perth.

Dated the 13th day of April, 1967.

R. LANGER,
for Clerk of Petty Sessions.

Objection to the granting of the application may be served on the applicant and the Clerk of Petty Sessions at any time prior to seven days before the date appointed for the hearing.

LAND AGENTS ACT, 1921.

Application for License in the First Instance.

To the Court of Petty Sessions at Rockingham: I, ROBERT RICHARD MAXWELL, of 9 Coventry Road, Safety Bay, Real Estate Salesman, having attained the age of 21 years, hereby apply on behalf of Rockingham Estate Agency and Safety Bay Estate Agency, a firm of which I am a member for a license to carry on the business of a land agent under the Land Agents Act, 1921. The principal place of business will be at 43a Rockingham Road, Rockingham.

Dated the 14th day of April, 1967.

R. R. MAXWELL,
Signature of Applicant.

Appointment of Hearing.

I hereby appoint the 20th day of June, 1967, at 10 o'clock in the forenoon as the time for the hearing of the foregoing application at the Court of Petty Sessions at Rockingham.

Dated the 14th day of April, 1967.

C. S. MASON,
Clerk of Petty Sessions.

Objection to the granting of the application may be served on the applicant and the Clerk of Petty Sessions at any time prior to seven days before the date appointed for the hearing.

LAND AGENTS ACT, 1921.

Application for Transfer of a License.

To the Court of Petty Sessions at Perth:

I, Ronald Keith Parkinson, of 24 Stirling Highway, Nedlands, hereby apply as nominee of Acuity Investments Pty Ltd, for the license currently issued to Ronald Keith Parkinson, on behalf of a firm Nedlands Estate Agency, to be transferred to me to carry on business as a Land Agent at 24 Stirling Highway, Nedlands.

Dated the 14th day of April, 1967.

R. K. PARKINSON,
Signature of Applicant (Transferee).

I, Ronald Keith Parkinson, concur in this application.

R. K. PARKINSON,
Signature of Transferor.

Appointment of Hearing.

I hereby appoint the 30th day of May, 1967 at 2.15 o'clock in the afternoon as the time for the

hearing of the foregoing application at the Court of Petty Sessions at Perth.

Dated the 14th day of April, 1967.

R. LANGER,
for Clerk of Petty Sessions.

Objection to the granting of the license may be served on the applicant and the Clerk of Petty Sessions at any time prior to seven days before the date appointed for the hearing.

Crown Law Department,
Perth, 19th April, 1967.

C.L.D. 481/66.

THE Hon. Minister for Justice has appointed the following persons as Commissioners for Declarations under the Declarations and Attestations Act, 1913-1962:—

Desmond Stanley John Baccini—Scarborough.
Norman Francis Bailey—Mount Pleasant.
Bruce Gordon Campbell—West Perth.
Geoffrey Joseph Cooke—Yokine.
Ronald Lewis Coppel—Floreat Park.
Barry William Drown—Carnarvon.
Michael Edward Chisholm Eastman—Bunbury.
Kerry James Lucas—Bunbury.
Ray Leslie Priest—Mount Pleasant.
Neville James Sheehan—Woodlands.
Gordon Stanley Smith—Como.
Peter Henry Wells—Norseman.

R. C. GREEN,
Under Secretary for Law.

COMPANIES ACT, 1961-1966.

Crown Law Department,
Perth, 20th April, 1967.

HIS Excellency the Governor, acting with the advice and consent of the Executive Council and pursuant to the powers conferred upon him by section one hundred and seventy-three of the Companies Act, 1961-1966, has been pleased to appoint, as from and including the 22nd April, 1967, Edward John Dowling of 35A Bradford Street, Mt. Lawley, Chartered Accountant, an inspector to investigate the affairs of the under-mentioned companies, being companies to which Division 4 of Part VI of that Act applies and to report to the Honourable the Minister for Justice in writing on the affairs of those companies—

Companies.

Wool Exporters Holdings Pty Ltd.
Wool Exporters Pty Ltd.
Hewett Wool Pty Ltd.
Overseas Wool Country Division Pty Ltd.

R. C. GREEN,
Under Secretary for Law.

APPOINTMENT.

(26 George V, No. 36.)

HIS Honour the Chief Justice has been pleased to appoint Robert John Meadows, of 3 Tilton Terrace, City Beach, in the State of Western Australia, Solicitor, a Commissioner of the Supreme Court of Western Australia, to administer or take within the State of Western Australia, any oath, affidavit, affirmation or declaration for use in the Supreme Court of Western Australia and to take the acknowledgments of deeds executed by married women. The Commission to remain in force until the said Robert John Meadows ceases to reside in the State of Western Australia, aforesaid, or until he ceases to be a Solicitor of the Supreme Court of Western Australia or until he ceases to be entitled to practise as such or until revoked.

G. STAPLES,
Acting Registrar Supreme Court.
Supreme Court Office,
Perth, 13th April, 1967.

APPOINTMENT.
(26 George V, No. 36.)

HIS Honour the Chief Justice has been pleased to appoint Reginald Gilbert Dorrien Cresswell, of Brookman Building, 35 Grenfell Street, Adelaide, in the State of South Australia, Solicitor, a Commissioner of the Supreme Court of Western Australia, to administer or take within the State of South Australia, any oath, affidavit, affirmation or declaration for use in the Supreme Court of Western Australia and to take the acknowledgments of Deeds executed by married women. The Commission to remain in force until the said Reginald Gilbert Dorrien Cresswell ceases to reside in the State of South Australia, aforesaid, or until he ceases to be a Solicitor of the Supreme Court of South Australia, or until he ceases to be entitled to practise as such, or until revoked.

G. STAPLES,
Acting Registrar Supreme Court.

Supreme Court Office,
Perth, 10th April, 1967.

LICENSING ACT, 1911 (AS AMENDED.)
(Section 61.)

Notice of Application for a Provisional Certificate for a Publican's General License, a Wayside House License, a Limited Hotel or an Australian Wine License.

To the Licensing Court for the Boulder-Eyre Licensing District:

I, JOSEPH RICHARD JAMES WARD, of 26 Hampton Road, Victoria Park, hereby give notice that I intend to apply, at the next Sitting of the Licensing Court, for the said District, for a Provisional Certificate for a Publican's General license, in respect of premises to be erected, situated or to be situated on land described as Mundrabilla location 6 situated on the south side of Eyre Highway one half a mile east of the existing Guerney-Shell establishment, Eucla, Western Australia, in accordance with the plans and specifications which (in duplicate) are lodged herewith.

Dated this 29th day of March, 1967.

J. R. J. WARD,
Signature of Applicant.

Public Service Commissioner's Office,
Perth, 19th April, 1967.

The following promotions have been approved:—

C. Molinari, Clerk, C-II-2, Applications and Inspection Section, Clerical Branch, Lands and Surveys Department, to be Tourist Officer, C-II-2, Melbourne Branch Office, Tourist Development Authority, Premier's Department, as from 13th January, 1967.

F. C. Wilkinson, Veterinary Surgeon, Grade 2, P-I-1, to be Veterinary Surgeon, Grade 1, P-I-2/5, Veterinary Services Branch, Animal Division, Department of Agriculture, as from 5th April, 1967.

S. R. Hogan, Clerk, C-IV, Horticultural Division, Department of Agriculture, to be Technical Assistant, G-VII-1/3, Fauna Conservation Section, Department of Fisheries and Fauna, as from 3rd March, 1967.

V. E. Dzelme, Clerk, C-II-2, School Buildings Section, Clerical Branch, Education Department, to be Clerk, C-II-2, Administrative Branch, Public Works Department, as from 17th February, 1967.

L. J. Silvester, Assistant Inspector, G-VII-1/2, to be Inspector, Grade 2, (Relieving), G-II-1, Inspection Branch, Department of Fisheries and Fauna, as from 10th March, 1967.

J. S. Fletcher, Assistant Inspector, G-VII-1/2, to be Inspector, Grade 2 (Relieving), G-II-1, Inspection Branch, Department of Fisheries and Fauna, as from 10th March, 1967.

P. C. Willey, Assistant Inspector, G-VII-1/2, to be Inspector, Grade 2 (Relieving), G-II-1, Inspection Branch, Department of Fisheries and Fauna, as from 10th March, 1967.

The following resignations have been accepted:—

Name; Department; Date.

L. M. Britain; Police; 24/2/67.

R. Pascotto; Public Works; 3/3/67.

D. E. Patrick; Fisheries and Fauna; 5/5/67.

J. M. Park; Education; 31/3/67.

B. Bergamini; Crown Law; 3/3/67.

G. K. Hillman; Agriculture; 28/4/67

P. Pearce; Audit; 27/4/67.

P. J. Pearce; Agriculture; 28/4/67.

S. K. Carrigy; Police; 7/4/67.

M. A. Giles; Police; 14/4/67.

D. A. Renton; Crown Law; 9/3/67.

M. Crispe; Police; 7/4/67.

S. M. Clapton; Police; 7/4/67.

H. A. Walker; Police; 13/1/67.

The following offices have been created:—

Items 10 1474 and 10 1478, Senior Family Welfare Officer, G-II-6, Field Division, Child Welfare Department.

Item 10 1453, Social Work Supervisor, P-II-8, Field Division, Child Welfare Department.

Item 01 1565, Clerk C-II-1, Accounts Branch, Department of Agriculture.

Item 29 6406, Engineering Draftsman, P-11-1/6, Composite Surveys, Drawing Office, Engineering Division, Public Works Department.

Item 29 6348, Engineering Draftsman, P-II-1/6, Sewerage Section, Drawing Office, Engineering Division, Public Works Department.

Item 29 6356, Engineering Draftsman, P-II-1/6, Sewerage Section, Drawing Office, Engineering Division, Public Works Department.

Item 23 5855, Draftsman, P-II-1/6, Survey Examinations and Drafting Branch, Department of Mines.

Item 23 5835, Draftsman, P-II-1/6, Survey Examinations and Drafting Branch, Department of Mines.

The title and classification of the following offices have been amended:—

Item 18 0740, occupied by A. J. Buchanan, Publicity Section, Department of Industrial Development, amended from Clerk, C-II-2, to Exhibitions Officer, G-II-4, with effect from the 10th March, 1967.

Item 01 7220, occupied by K. R. Southon, Irrigation Section, Soils Division, Department of Agriculture, amended from Field Technician, Grade 3, G-II-1/2, to Field Technician, Grade 2, G-II-2/3, with effect from the 3rd April, 1967.

Item 01 8795, occupied by C. W. Robartson, Pathology Branch, Biological Services Division, Department of Agriculture, amended from Laboratory Assistant, G-X, to Laboratory Technician, Grade 3, G-II-1/2, with effect from the 10th April, 1967.

J. B. CROOKS,
Deputy Public Service Commissioner.

VACANCIES IN THE PUBLIC SERVICE

Department	Position	Class	Gross Salary	Date Returnable
Agriculture	Liaison Officer, Information Section (Item 01/0382) (a) (c)	P-II-9/11	\$5,354-\$6,071	1967 28th April
Do.	Senior Poultry Pathologist, Animal Health Laboratory, Animal Division (Item 01/2495) (a) (f)	P-I-6	\$7,834	do.
Education	Training Officer, Administrative Branch (Item 14/0033) (b)	C-II-5	\$4,279-\$4,433	do.
Medical	Clerk Assistant, Finance Section, Clerical Branch (Item 07/0550) (g)	C-II-4	\$3,982-\$4,126	do.
Public Works	Cashier, Kalgoorlie Water Supply, District Offices (Item 29/1955)	C-II-1	\$3,152-\$3,285	do.
Do.	District Officer, Port Hedland, Country Water Supply Branch (Item 29/3518) (h)	G-II-4	\$3,982-\$4,126	do.
Chief Secretary's	Supervisor of Industries, Prisons Department (Item 05/0015) (a) (i)	G-II-4/5	\$3,982-\$4,433	do.
Public Works	General Assistant, Mechanical and Plant Engineer's Branch (Item 29/3940) (a) (j)	G-VII-1/3	\$2,400-\$3,019	do.
Agriculture	Field Assistant, Badgingarra, Research Stations Branch, Wheat and Sheep Division (Item 01/6425) (a) (k)	G-VI	\$2,021 (19 years)- \$3,019	do.
Agriculture (2 positions) ...	Library Assistant, Library (Items 01/0210 and 0220) (a) (l)	C-V	\$1,269 (17 years)- \$2,231	do.
Fisheries and Fauna (3 positions) ...	Assistant Inspector, Inspection Branch (Items 16/0900, 0910 and 0880) (a) (g)	G-VII-1/2	\$2,243 (20 years)- \$2,834	do.
Public Works (6 positions) ...	Architect, Grade 3, Architectural Division (Items 29/7310, 7315, 7330, 7335, 7340 and 7345) (a) (d)	P-II-3/8	\$3,753-\$5,210	5th May
Fisheries and Fauna	Clerk, Clerical Branch (Item 16/0160)	C-II-3-	\$3,695-\$3,839	do.
Child Welfare	Relief Officer (King Street), Maintenance and Relief Branch (Item 10/1110)	C-II-2	\$3,418-\$3,552	do.
Metropolitan Water Supply Board	Clerk, Internal Audit Section (Item 22/0600)	C-II-1	\$3,152-\$3,285	do.
Premier's	Official Secretary, London Agency (Item 26/0560)	A-I-3	£3,585 (Sterling) (e)	do.
Industrial Development	Senior Investigations officer, Industries Investigation and Accounts Branch (Item 18/0320) (m)	C-II-9	\$5,704-\$5,878	do.
Town Planning	Planning Assistant, Professional Branch (Item 33/0170) (n)	P-II-1/5	\$3,138-\$4,277	do.
Agriculture	Accounting Machinist in Charge, Accounts Branch (Item 01/1670) (a)	C-III-1	\$2,426-\$2,488	do.
Treasury	Clerk (Relieving), Accounts Branch (Item 34/0620)	C-II-1	\$3,152-\$3,285	do.
Crown Law	Senior Clerk (Legal), Solicitor General's Office (Item 11/1160)	C-II-7	\$4,894-\$5,202	do.
Do.	Clerk, Fremantle, Court Offices Branch (Item 11/3500)	C-II-1	\$3,152-\$3,285	do.
Education	Clerk (Salaries), Accounts Branch (Item 14/2840)	C-II-2	\$3,418-\$3,552	do.
Agriculture	Clerk, Accounts Branch (Item 01/1565)	C-II-1	\$3,152-\$3,285	do.
Do.	Field Assistant, Esperance Downs, Research Stations Branch, Wheat and Sheep Division (Item 01/6365) (a) (k)	G-VI	\$1,451 (17 years)- \$3,019	do.
Metropolitan Water Supply Board	Engineering Survey Draftsman, Drawing Office, Engineering Division (Item 22/7610) (a) (o)	P-II-1/6	\$3,138-\$4,544	do.

(a) Applications also called outside the Service under section 24.

(b) The possession of a Diploma in Public Administration, or approved equivalent, will be regarded as an important factor when judging efficiency under section 34 of the Public Service Act.

(c) Degree in Agricultural Science or equivalent. Experience in technical writing and production of publications and an interest in the communication of technical information.

(d) Eligibility for membership of the Royal Australian Institute of Architects.

(e) Salary based on London cost of living figure of £697 (Sterling) per annum. In addition, there is a housing allowance of £320 (Sterling) per annum.

(f) Basic University degree in Veterinary Science registrable in Western Australia. Higher degree in the field of avian disease or very considerable experience with disease investigations in the poultry industry essential.

(g) The possession of an academic qualification acceptable for membership of the Australian Society of Accountants, or equivalent Institution, will be regarded as an important factor when judging efficiency under section 34 of the Public Service Act.

(h) Partly furnished departmental house available for rental.

(i) Prison service will be taken into consideration in assessing the claims of applicants.

(j) Good general experience of motor vehicle and/or construction, plant spare parts supply and purchasing.

(k) Junior Certificate with English and Maths A essential, Science subjects desirable. Preference for Leaving Certificate.

(l) Leaving Certificate with matriculation. Library qualifications desirable but not essential. Applicants must be prepared to study at Perth Technical College for professional qualification. Ability to type desirable.

(m) The possession of an academic qualification acceptable for membership of the Australian Society of Accountants and/or the Australasian Institute of Cost Accountants or equivalent institution will be regarded as an important factor when judging efficiency under section 34 of the Public Service Act.

(n) A Diploma in Cartography, with experience in Survey Examination and/or Titles Office procedure will be regarded as an important factor when judging efficiency under section 34 of the Public Service Act.

(o) First three years of Diploma in Cartography at the Perth Technical College, or approved equivalent, plus at least four years' practical drawing office experience.

(q) Junior Certificate, good physique, not more than thirty years of age, with experience of fish and fisheries.

Applications are called under section 34 of the Public Service Act, 1904-1966, and are to be addressed to the Public Service Commissioner and should be made on the prescribed form, obtainable from the offices of the various Permanent Heads of Departments.

J. B. CROOKS,

Deputy Public Service Commissioner.

WESTERN AUSTRALIAN INSTITUTE OF TECHNOLOGY

APPLICATIONS are invited from—

CLERK TYPISTS
and
SHORTHAND TYPISTS

Salaries range from \$1,269 at 17 years of age to \$1,965 at 21 years of age or 1st year of adult service and \$2,237 at 25 years of age or 5th year of adult service.

Conditions of employment will be the same as for the Public Service.

Application forms and further details are available from :—

The Chairman,
Interim Council,
Western Australian Institute of Technology,
c/o Perth Technical College,
St George's Tee,
PERTH,

with whom also applications will close on Friday, 5th May, 1967.

Successful applicants from the State Public Service will be required to resign because the Western Australian Institute of Technology is an autonomous organisation. However the Institute Act provides that where persons are officers of the Public Service of this State immediately before appointment to the Institute they shall be deemed to have retained their accrued rights.

WESTERN AUSTRALIAN INSTITUTE OF TECHNOLOGY

APPLICATIONS are invited for the following new positions :—

	Salary Range
Administrative Secretary	\$6,053-\$6,575
Accountant	\$5,366-\$5,878
Chief Clerk	\$4,279-\$4,741
Accounts and Budget Clerk	\$3,982-\$4,433
Clerk of Examinations	\$3,982-\$4,126
Staff Clerk	\$3,695-\$4,126
Supplies Clerk	\$3,695-\$4,126
Clerks to Assistant Directors	\$3,152-\$3,285

Salary on appointment will be within the ranges quoted according to experience and qualifications.

Conditions of service will be similar to those of the State Public Service and this will also apply to female rates for any of the above positions. Salaries have been adjusted from those previously advertised to take account of the 2½ per cent. increase now applying to the Public Service.

Further details of the nature of the positions together with forms of application are available from :—

The Chairman,
Interim Council,
Western Australian Institute of Technology,
c/o Perth Technical College,
St George's Tee,
PERTH,

with whom applications will close on 28th April, 1967.

Successful applicants from the State Public Service will be required to resign because the Western Australian Institute of Technology is an autonomous organisation. However the Institute Act provides that where persons are officers of the Public Service of this State immediately before appointment to the Institute they shall be deemed to have retained their accrued rights.

GOVERNMENT RAILWAYS ACT, 1904
(AS AMENDED).

Railway Appeal Board By-election—12th
April, 1967.

IT is hereby notified, under the provisions of regulation 22 of the Government Railways (Appeal Board) Regulations, 1965, that the By-election for one Member from Section "C," the Wages Staff of the Motive Power Section of the Mechanical Branch, excluding Tradesmen and their Assistants employed in that section, resulted in the under-mentioned candidate being duly elected to that position:—

McQuade, Ivan Roy, Locomotive Driver, East Perth.

S. E. WHEELER,
Chief Electoral Officer,
Returning Officer.

(State Electoral Department, 54-58 Barrack Street, Perth, 13th April, 1967.)

MARKETING OF BARLEY ACT, 1946-1955.

(Regulation 8 (7).)

Form No. 3.

Certificate of Election of Candidate where number of Candidates Nominated does not exceed number to be Elected.

To The Western Australian Barley Marketing Board, Perth.

I, DONALD LAURENCE FORSYTH, being the Returning Officer duly appointed under and for the purposes of the regulations made under the

Marketing of Barley Act, 1946-1955, do hereby certify—

- (1) That in connection with the nomination of candidates for election as members of the Western Australian Barley Marketing Board received up to 12 o'clock noon on Wednesday the 12th April, 1967, being the last day for the nomination of candidates for such election to be held on the 8th day of May, 1967, under section 6 (3a) of the said Act, the following candidate was nominated, namely:—
Henry Leake Kelsall
- (2) That the nomination form of the said candidate was in order as required by the Regulations; that the candidate was eligible for nomination and election, and that the persons who signed the nomination form as proposer and seconder were competent so to sign the same.
- (3) That the number of candidates so nominated did not exceed the number of candidates to be elected as members of the said The Western Australian Barley Marketing Board; and
- (4) That the said Henry Leake Kelsall is the person now elected as such elective member as required by the said Act for appointment by the Governor as a member of the said Board.

Dated the 13th day of April, 1967.

D. L. FORSYTH,
Returning Officer.

HEALTH ACT, 1911-1966.

Department of Public Health,
Perth, 13th April, 1967.

P.H.D. 619/63.

THE appointment of Mr J. Lanigan as Inspector to the Shire of Busselton during the absence of Mr A. C. Piper as from 8th April, 1967, to 8th May, 1967, is hereby approved.

W. S. DAVIDSON,
Commissioner of Public Health.

CHILD WELFARE DEPARTMENT.

Perth, 12th April, 1967.

THE Hon. the Minister for Child Welfare has approved of the appointment of Reginald James Homan as Honorary Agent of the Child Welfare Department for the Shire of West Kimberley, and has revoked the appointment of Robert Mitford Rowell.

J. A. McCALL,
Director,
Child Welfare Department.

Police Department,
Perth, 11th April, 1967.

HIS Excellency the Governor, in Council, has approved the following retirements in the Western Australian Police Force, to have effect from the dates shown:—

- 1st Class Inspector V. T. McDonald—15th May, 1967.
- 1st Class Inspector F. C. Thomas—29th May, 1967.

C. E. LAMB,
Deputy Commissioner of Police.

Police Department,
Perth, 11th April, 1967.

HIS Excellency the Governor, in Council, has approved the following promotions in the Western Australian Police Force, to have effect from the dates shown:—

- To be 1st Class Inspector:
 - 2nd Class Inspector A. L. M. Wedd—16/5/67.
 - 2nd Class Inspector R. B. Williams—30/5/67.
- To be 2nd Class Inspector:
 - 3rd Class Inspector J. McK. Meakins—16/5/67.
 - 3rd Class Inspector V. R. Thurstun—30/5/67.
- To be 3rd Class Inspector:
 - 1st Class Sergeant H. E. Daniels, No. 1857—31/3/67.
 - 1st Class Sergeant J. F. Short, No. 1843—16/5/67.
 - 1st Class Sergeant J. J. Sullivan, No. 1858—30/5/67.

C. E. LAMB,
Deputy Commissioner of Police.

LIST OF MARINE COLLECTORS' LICENSES AND BADGES.

- | Name; Address; Date; License; Badge. |
|---|
| Agresta, Guiseppe; Albert Street, Osborne Park; 1/1/67; 2868; 4. |
| Alford, Henry P.; Koorda; 25/1/67; 3085; 221. |
| Anderson, Kenneth G.; Mt. Magnet; 25/1/67; 3078; 214. |
| Andrew, Kenneth H.; 48 Galway Street, Leederville; 6/2/67; 3154; 247. |
| Angelides, John; 123 Douglas Avenue, South Perth; 13/1/67; 3001; 137. |
| Appleby, William G.; Bencubbin; 19/1/67; 3045; 181. |
| Ashworth, Walter; 138 York Road, Northam; 10/1/67; 2927; 62. |
| Ashworth, Walter Henry; Kalannie; 17/3/67; 3255; 391. |
| Astbury, Stephen A.; Harrismith, via Wickepin; 25/1/67; 3079; 215. |
| Bain, Kenneth J.; Muir Street, Mt. Barker; 12/1/67; 2973; 109. |
| Baillie, Colin S.; Altair Street, Southern Cross; 6/2/67; 3161; 297. |
| Baranski, Max; 11 Ferrar St., Mt. Lawley; 24/2/67; 3211; 347. |
| Barber, John G.; 15 Laurence Street, North Inna-
loo; 21/2/67; 3193; 329. |
| Barnfather, William G.; Wiluna; 17/1/67; 3030; 166. |
| Barrow, Cecil J.; Robert Street, Moora; 17/3/67; 3259; 395. |
| Bawden, John H.; 103 King Street, Boulder; 5/1/67; 2901; 37. |
| Biagioni, Peter; 186 Edinborough Street, Mt. Hawthorn; 5/1/67; 2910; 46. |
| Becker, Keith C.; Margaret River; 1/3/67; 3220; 356. |
| Bell, Ernest J.; 9 Lyon Street, Rivervale; 6/2/67; 3151; 287. |
| Bergin, Alan C.; 26 Broadway, Bassendean; 29/3/67; 3265; 401. |
| Betsworth, Sydney T.; Northcliffe; 8/2/67; 3164; 300. |
| Bevis, Trevor A.; 60 Coronation Street, Merredin; 13/1/67; 2991; 127. |
| Bigelman, Jacob; 41 Curlington Crescent, Balga; 1/1/67; 2884; 20. |
| Binnstock, Baruch; 36 Wasley Street; North Perth; 24/1/67; 3066; 202. |
| Birchitti, Guiliano; 205 Claydon road, Newburn; 10/1/67; 2931; 67. |
| Birss, John F.; 35 Deleware Street; Derby; 5/1/67; 2916; 52. |
| Boddington, James E.; 65 Armagh Street; Victoria Park; 12/1/67; 2975; 111. |
| Bonomi, Isidoro; Mt. Ida; 5/1/67; 2904; 40. |
| Boothey, Reginald F.; 6 Walker Street, Narrogin; 3/3/67; 3227; 363. |
| Braban, Alfred C.; 47 Boulder Avenue, Belmont; 13/1/67; 3004; 140. |
| Bradbury, William T.; 129 Waterloo Street, Joon-
danna; 13/1/67; 3010; 146. |
| Bradshaw, William A.; 11 Rathay Street, Victoria Park; 1/1/67; 2874; 10. |
| Braude, Majrim; 1 Norfolk Street, North Perth; 13/2/67; 3174; 310. |
| Breadsell, Daniel; 71 Waterloo Street, Tuart Hill; 6/2/67; 3155; 291. |
| Brick, Michael J. (Snr); Dudinin; 3/2/67; 3122; 258. |
| Brick, Michael J. (Jnr.); Jitarning; 24/1/67; 3075; 211. |
| Brittain, Alan K.; 241 Hardey Street, Belmont; 13/1/67; 3003; 139. |
| Brown, Kevin W.; 150 Virgil Avenue, Yokine; 13/1/67; 3006; 142. |
| Brown, Norman L.; 12 Everett Street, Nedlands; 13/1/67; 3015; 151. |
| Buck, Arthur Edgar; Corrigin; 3/2/67; 3121; 257. |
| Buckle, Arthur John; Glen Forrest; 19/1/67; 3044; 180. |
| Buckley, Gordon A.; 2 Fuller Street, Norseman; 5/1/67; 2905; 41. |
| Bujevich, Anthony N.; 15 Oswald Street, Innaloo; 13/1/67; 2999; 135. |
| Bursztyrn, Homa W.; 54 Lanark Street, Mount Lawley; 24/1/67; 3069; 205. |
| Burt, Jeffrey T.; 68 Ogilvie Road, Mt. Pleasant; 1/1/67; 2875; 11. |
| Burton, Leonard F.; 21 Hackett Street, Man-
durah; 3/3/67; 3226; 362. |
| Burton, Stanley J.; Kununoppin, via Trayning; 13/1/67; 2990; 126. |
| Byass, Alan P.; Pingaring; 24/1/67; 3077; 213. |
| Byrne, John J.; Minnivale, via Dowerin; 17/3/67; 3256; 392. |
| Callaghan, John W.; Cunderdin; 24/2/67; 3215; 351. |
| Canalini, Sante; 13 Brentham Street, Mt Haw-
thorn; 24/2/67; 3210; 346. |
| Carrabba, Luigi; East Wyndham; 24/2/67; 3204; 340. |
| Carattl, Emilio; King Edward Road, Osborne Park; 28/1/67; 3097; 233. |
| Carter, John O.; Gascoyne Junction Hotel, Cas-
coyne Junction; 13/1/67; 2982; 118. |

- Cavana, John; 2 Bramall Street, East Perth; 1/2/67; 3103; 239.
- Cheeseman, Arthur G.; 5 Frink Street; Cloverdale; 1/1/67; 2870; 6.
- Childe, Graham H.; Quairading; 17/3/67; 3250; 386.
- Chivers, Joseph L.; Lot 200 Main Street; Tuart Hill; 12/1/67; 2952; 88.
- Clune, John T.; 2 Weld Street, Palmyra; 25/1/67; 3088; 224.
- Cole, Edwin John; Kununurra; 20/2/67; 3188; 324.
- Coles, Ronald C.; Gingin; 12/1/67; 2956; 92.
- Collins, Robert H.; 34 Hilda Street, Shenton Park; 5/1/67; 2919; 55.
- Collins, William B.; Northampton; 6/2/67; 3145; 281.
- Cooley, Oliver T. C.; 74 Stoneham Street, Joon-danna; 26/1/67; 3095; 231.
- Cornell, Edward Ainsley; Kalbarri, via Northampton; 6/2/67; 3144; 280.
- Cotterell, Vernon T.; Rochester Street; Leonora; 2/2/67; 3113; 249.
- Coventry, John; Katanning; 1/1/67; 2892; 28.
- Crabbe, Daryll E.; Kondinin; 17/4/67; 3249; 385.
- Crake, Kevin E.; Crowther Street, Carnarvon; 10/1/67; 2929; 65.
- Crellin, Keith W.; 117 Riverton Drive, Rossmoyne; 3/3/67; 3222; 358.
- Cressall, Arthur Edward; Delawney Street, Balcatta; 6/2/67; 3153; 289.
- Crocker, Clifford R.; Leonora; 2/2/67; 3112; 248.
- Cuttriss, Frank G.; Boyup Brook; 10/3/67; 3236; 372.
- Dalgleish, John F.; Kalbarri, via Northampton; 6/2/67; 3143; 279.
- Davey, Arthur J.; Newdegate; 20/2/67; 3186; 322.
- Davies, Alan K.; Perenjori; 6/2/67; 3139; 275.
- Davis, James G.; 24 Raymond Street, Mt. Pleasant; 1/1/67; 2876; 12.
- Davis, William F.; East Carnarvon; 14/3/67; 3246; 382.
- Day, Philip C.; Cleaver Street, Carnarvon; 10/1/67; 2930; 66.
- Dean, Harry; Nannup; 10/1/67; 2934; 70.
- Dean, Ronald J.; Nannup; 10/1/67; 2935; 71.
- Deardon, John M.; 59 Forrest Street, North Perth; 24/1/67; 3063; 199.
- Deering, Roy D.; Pinjarra; 19/1/67; 3049; 185.
- Dellavanzo, Charles; Wyndham; 24/2/67; 3205; 341.
- Depiazz, Barney; 2 Buxton Street, Mt Hawthorn; 12/1/67; 2942; 78.
- Devereaux, James; 3 Donegal Road, Floreat Park; 20/2/67; 3185; 321.
- Dewhurst, Randolph; 1 Swanbourne Street; Fremantle; 17/1/67; 3022; 158.
- Di-Candilo, George; 290 Guildford Road; Bayswater; 6/2/67; 3148; 284.
- Dolbear, Barry W.; 14 Cope Street, Midland; 24/2/67; 3208; 344.
- Donovan, Joseph; 29 Woodchester Road; Nollamara; 10/3/67; 3234; 370.
- Donovan, Percy R.; 71 Stirling Street, Bunbury; 10/1/67; 2938; 74.
- Duthie, Allan Rex; Perenjori; 6/2/67; 3140; 276.
- Durnin, Frederick J.; 19 Commercial Road, South Fremantle; 12/1/67; 2962; 98.
- Ecker, Leon J.; 76 Paddington Street, North Perth; 10/3/67; 3240; 376.
- Edward, Bertie; Pemberton; 8/2/67; 3166; 302.
- Edwards, Walter D.; Muchea; 12/1/67; 2957; 93.
- Elston, Fred; Beach Road, Yanchepp; 13/2/67; 3177; 313.
- Emery, Douglas John; 32 Ord Street, Claremont; 19/1/67; 3037; 173.
- Evans, Leonard D.; 235 Durlacher Street, Geraldton; 6/2/67; 3127; 263.
- Evans, Stafford S.; 130 Nicholsons Road, Subiaco; 1/1/67; 2888; 24.
- Evdokimoff, Bill J.; 60 Austral Parade, Bunbury; 12/1/67; 2966; 102.
- Ewen, Robert K.; 71 Penzance Street, Bassendean; 21/2/67; 3191; 327.
- Ferraloro, Francesco; 163 Wanneroo Road, Tuart Hill; 1/1/67; 2869; 5.
- Ferreri, Carlo; 3 Harley Street, Highgate; 17/3/67; 3257; 393.
- Fienberg, Maurice; Cue; 6/2/67; 3128; 264.
- Findlay, Eric E.; Shackleton; 9/1/67; 2925; 61.
- Fitzgerald, Patrick J.; 51 Evelyn Street, Gosnells; 10/3/67; 3232; 368.
- Flaumen, Edward; 30 Meenaar Crescent, Mt. Lawley; 17/3/67; 3260; 396.
- Flintoff, Bevis J.; c/o Augusta Hotel, Augusta; 1/3/67; 3218; 354.
- Ford, Thomas G.; Coorow, via Carnamah; 6/2/67; 3132; 268.
- Foster, Reginald; 43 Amelia Street, Osborne Park; 10/1/67; 2941; 77.
- Fowler, Raymond H.; 341 Flinders Street, Nollamara; 1/1/67; 2882; 18.
- Franchina, Guiseppi; Elliott Road, Wanneroo; 26/1/67; 3098; 234.
- Frank, Kopel; 3 Crieff Street, Floreat Park; 8/3/67; 3229; 365.
- Franklin, Norman A.; 313 Kelvin Road, Maddington; 26/1/67; 3090; 226.
- Gaitskell, Keith C.; 19A Ward Street, Kalgoorlie; 24/1/67; 3056; 192.
- Gaitskell, Leslie H.; 96 Carrington Street, Kalgoorlie; 10/1/67; 2940; 76.
- Gangell, Eric G.; 72 Stacey Street, Dowerin; 24/1/67; 3059; 195.
- Gedgudas, Kayzs; Point Sampson; 9/1/67; 2927; 63.
- George, John B.; Wyndham; 24/2/67; 3206; 342.
- Gillan, John A.; 234 West Coast Highway, Scarborough; 21/2/67; 3189; 325.
- Giudice, William; 13 Leake Street, North Perth; 1/2/67; 3105; 241.
- Glossop, Thomas P.; 13 Leister Street, Leederville; 19/1/67; 3055; 191.
- Goldberg, Percy; 29 Marradong Street, Mt. Lawley; 13/2/67; 3173; 309.
- Gray, Robert S.; 55 Reeve Street, Manjimup; 13/2/67; 3182; 318.
- Grazziadelli, Robert; Cotherston Road, Kalamunda; 5/1/67; 2912; 48.
- Greenberg, Morris; 14 Cantle Street, East Perth; 13/1/67; 2997; 133.
- Gregory, John A.; 76 Edinboro Street, Mt. Hawthorn; 26/1/67; 3094; 230.
- Gregson, George; Goomalling; 6/2/67; 3156; 292.
- Grynberg, Sol.; 3 Armadale Crescent, Mt. Lawley; 24/1/67; 3067; 203.
- Hague, Albert; Turner Road, Bridgetown; 17/3/67; 3253; 389.
- Hall, Cecil F. A.; Wialki, via Mukinbudin; 1/2/67; 3101; 237.
- Hall, Richard G.; 71 Egham Street, Victoria Park; 24/2/67; 3214; 350.
- Hall, Wilfred E.; York; 1/2/67; 3108; 244.
- Hanstrum, Reginald; Walter Road, Bridgetown; 19/1/67; 3047; 183.
- Harding, David E.; Centennial Avenue, Harvey; 19/1/67; 3048; 184.
- Harrison, Vivian R.; Capel; 10/1/67; 2937; 73.
- Hartree, Victor C.; Pithara; 15/3/67; 3247; 383.
- Harvey, Edward A.; 4 Tonkin Road, Hilton Park; 3/2/67; 3115; 251.
- Hawkins, Lloyd G.; 92 Todd Avenue, Como; 17/1/67; 3035; 171.
- Hawkins, Victor P.; Pickering Brook, via Kalamunda; 5/1/67; 2914; 50.
- Hawthorne, Thos. P. P.; 93 Planet Street, Carlisle; 12/1/67; 2979; 115.
- Hayes, Donald F.; 222 MacDonald Street, Tuart Hill; 12/1/67; 2945; 81.
- Hayes, William A.; 222 MacDonald Street, Tuart Hill; 12/1/67; 2946; 82.
- Hayward, Andree K.; Naraling, via Northampton; 10/3/67; 3238; 374.
- Healy, Bartle R.; Port Denison; 6/2/67; 3135; 271.
- Healy, Roy Cecil; Wundowie; 13/1/67; 3016; 152.
- Hedley, John McK.; 11 Tuart Street, Applecross; 1/1/67; 2876; 13.
- Helfrich, Gerritt; 232 Amelia Street, Nollamara; 10/3/67; 3235; 371.
- Henneberry, John J.; Dongara; 6/2/67; 3133; 269.
- Hill, George W.; Bird Street, York; 1/2/67; 3109; 245.
- Hill, John L.; Nicholson Road, Northam; 19/1/67; 3046; 182.
- Hoffman, Jacob; 73 Wasley Street, North Perth; 12/1/67; 2970; 106.
- Hood-Penn, Stanley H.; Burracoppin, via Merredin; 17/1/67; 3029; 165.

- Horak, Leo; 282 Fimiston Road, Boulder; 13/1/67; 2984; 120.
- Hover, Calvin W.; Lot 330, 3rd Avenue, Onslow; 6/2/67; 3162; 298.
- Howell, James N.; 83 Sayer Street, Midland; 12/1/67; 2959; 95.
- Hughes, Arthur W.; 36 Hawkstone Street; Cottesloe; 13/1/67; 3013; 149.
- Hughes, Walter A.; 20 Griver Street, Cottesloe; 13/1/67; 3012; 148.
- Husking, Allan; Beverley; 25/1/67; 3082; 218.
- Hyatt, Gilbert L.; Shark Bay; 6/2/67; 3130; 266.
- Ickeringill, Wilfred R.; Dorothy Street, Bullfinch; 6/2/67; 3160; 296.
- Iles, Donald H.; 5 Grancy Avenue, Mundaring; 3/2/67; 3123; 259.
- Inglis, Malcolm J.; Johnston Street, Dalwallinu; 17/3/67; 3254; 390.
- Ingram, John T.; 235—8th Avenue, Inglewood; 12/1/67; 2950; 86.
- Ivey, Eric A.; 11 Pusey Street, Bentley; 12/1/67; 2974; 110.
- Jarratt, Walter H.; 132 Great Eastern Highway, Belmont; 12/1/67; 2951; 87.
- Johnson, Thomas; 189 Eton Street, North Perth; 12/1/67; 2972; 108.
- Jones, George W.; 17 Jupiter Street, Carlisle; 12/1/67; 2977; 113.
- Jones, Norman H.; Harvey; 21/3/67; 3261; 397.
- Jones, Raymond J.; 286 Belmont Avenue, Kewdale; 21/2/67; 3192; 328.
- Jones, Stanley; Wyalkatchem; 13/1/67; 2986; 122.
- Jordan, James D.; Lot 1, Clayton Road, Helena Valley; 12/1/67; 2960; 96.
- Karpe, William; 46 Drabble Road, Scarborough; 12/1/67; 2949; 85.
- Kiely, Keith A.; Mardella, via Mundijong; 8/2/67; 3172; 308.
- Kirk, Sydney P.; 101 Oats Street, Victoria Park; 26/1/67; 3099; 235.
- Klysz, Antoni; 7 Gill Street, North Perth; 1/1/67; 2894; 30.
- Knowles, Herbert L.; 187 Turon Street, Morley; 21/3/67; 3263; 399.
- Kousins, Sydney; 40 Learoyd Street; Mt Lawley; 1/2/67; 3106; 242.
- Krupar, Alojzy; 26 Fourth Avenue, Mount Lawley; 19/1/67; 3051; 187.
- Kuczynski, Szymon; 61 Lanark Street, Mt. Lawley; 1/2/67; 3107; 243.
- Lalor, William T. E.; 21 Waylen Road, Shenton Park; 1/1/67; 2887; 23.
- Lancett, Thomas; Hale Road, Forestfield; 17/1/67; 3020; 156.
- Lardi, Charles F.; Tammin; 17/1/67; 3028; 164.
- Lathouwers, Johannes M.; Richardson Road, Miling; 21/3/67; 3262; 398.
- Lawlor, William J.; 4 Ladyman Street; Kojonup; 5/1/67; 2899; 35.
- Lerner, Jack; 8 Marradong Way, Mt. Lawley; 12/1/67; 2971; 107.
- Lever, Michael G.; Seabrook, via Northam; 13/1/67; 2985; 121.
- Levy, Sol.; 13 Ruby Street; North Perth; 1/1/67; 2897; 33.
- Lewis, Ernest; 13 Regent Street; Leederville; 14/3/67; 3241; 377.
- Liblich, Josef; 9 Mullewa Crescent, Mt. Lawley; 24/1/67; 3068; 204.
- Lieblich, Israel; 46 Meenaar Crescent, Mt. Lawley; 10/3/67; 3239; 375.
- Lloyd, Morris J.; 29 Frankel Street, Bunbury; 12/1/67; 2969; 105.
- Lori, Joseph C.; Albany Highway, Kelmscott; 13/1/67; 2983; 119.
- Lynes, Robert H.; Ejanding; 13/2/67; 3178; 314.
- Lyon, Percy J.; 1673 Albany Highway, Kenwick; 12/1/67; 2960; 96.
- Lyster, John C.; 202 Swan Street; Yokine; 13/1/67; 3011; 147.
- McCutcheon, William; Bayley Street, Coolgardie; 17/1/67; 3019; 155.
- McGarry, Sydney D.; 63 Baal Street, Palmyra; 21/2/67; 3200; 336.
- McKenna, Allan Raymond; 11 Crocker Road, Innaloo; 25/1/67; 3087; 223.
- McKenna, Andrew J.; 3 Collier Avenue, Tuart Hill; 10/3/67; 3233; 369.
- Manno, Vincenzo; Lot 104 The Strand, Bedford Park; 13/1/67; 3005; 141.
- Martin, Thomas; 167 Joel Terrace, Mt. Lawley; 24/2/67; 3201; 337.
- Martino, Michela; South West Highway, Picton; 12/1/67; 2967; 103.
- Martion, Kenneth B.; 34 Upton Street; Victoria Park; 12/1/67; 2976; 112.
- Marzec, Roman; 155 Bulwer Street, Perth; 13/1/67, 2998; 134.
- Matthews, Benjamin O.; 67 Cleopatra Street, Palmyra; 21/2/67; 3199; 335.
- Medbury, Seddon R.; Isseka, via Northampton; 6/2/67; 3142; 278.
- Meldrum, Henry R.; Katanning; 1/1/67; 2891; 27.
- Mercer, Edward B.; Bindoon; 29/3/67; 3264; 400.
- Merriman, Kevin W.; 85 Barbican Street, Riverton; 17/1/67; 3036; 172.
- Mew, Albert A.; 30 Normandy Street, Inglewood; 6/2/67; 3150; 286.
- Mewhor, George; 70 Blencowe Street, Leederville; 14/3/67; 3242; 378.
- Michael, Edward; c/o Governor Broome Lodging House, Broome; 24/2/67; 3203; 339.
- Mildwaters, William O.; 3 Loftus Street, Leederville; 14/3/67; 3245; 381.
- Miliankov, Lozaros; 29 Medbury Road, Balga; 1/1/67; 2883; 19.
- Millen, Percival N.; 102 Nollamara Avenue, Nollamara; 12/1/67; 2953; 89.
- Mitchell, John H. C.; 4 King Road, Bunbury; 12/1/67; 2968; 104.
- Mol, Cornelius; 24 Gerald Terrace, Northam; 24/1/67; 3060; 196.
- Moncrieff, Harry R.; Mullewa; 8/2/67; 3171; 307.
- Montgomery, John W.; 129 Chapman Road, Cannington; 6/2/67; 3158; 294.
- Montgomery, John H.; 129 Chapman Road, Cannington; 6/2/67; 3159; 295.
- Morris, Edgar; 36 Elizabeth Street, South Perth; 5/1/67; 2908; 44.
- Morris, Gilbert T.; Bremer Bay or 18 Orchard Street, Albany; 29/3/67; 3266; 401.
- Morris, Joseph E. G.; 23 Doney Street, Narrogin; 5/1/67; 2907; 43.
- Morrison, Raymond; 169 Star Street; Carlisle; 24/1/67; 3070; 206.
- Mouritz, Clifford J.; 70 Shearn Crescent, Double View; 12/1/67; 2948; 85.
- Muir, Darryl K.; 7 Davey Street, Mandurah; 3/3/67; 3225; 361.
- Muir, Keith; 7 Davey Street; Mandurah; 3/3/67; 3224; 360.
- Muir, John C.; 7 Davey Street; Mandurah; 3/3/67; 3223; 359.
- Mullane, Jack N. P.; Morawa; 6/2/67; 3137; 273.
- Neale, Richard J.; Mingenew; 24/1/67; 3061; 197.
- Nesbitt, Henry; Hampton Street, Bridgetown; 10/1/67; 2939; 75.
- Newbey, John R.; 22 Hamilton Street, Subiaco; 1/1/67; 2886; 22.
- Newell, John E.; Dunsborough; 17/3/67; 3251; 387.
- Nobili, Gino; 365 Main Street; Osborne Park; 19/1/67; 3053; 189.
- Nobrega, Anthony P.; Wickepin; 25/1/67; 3080; 216.
- Nolan, Ronald O.; 170 Bishopsgate Street, Carlisle; 1/1/67; 2873; 9.
- Norder, Albert; 1 Station Street, Cottesloe; 13/1/67; 3014; 150.
- Norrish, Francis S.; Box 32, Trayning; 13/1/67; 2994; 130.
- Northover, John V.; 251 Salvado Road, Wembley; 8/3/67; 3228; 364.
- Nottle, Eric G.; York; 1/2/67; 3111; 247.
- Noyens, Wilhelmus T.; Port Hedland; 17/1/67; 3024; 160.
- Nutkiewicz, Perce; 89 Tate Street, West Leederville; 14/3/67; 3244; 380.
- Nuttall, William; 126 South Street, Beaconsfield; 6/2/67; 3146; 282.
- Nuttall, Allan Stanley; 37 Camboon Road, Morley; 1/1/67; 2866; 2.
- Oliver, Wilfred; Manmanning; 13/1/67; 2992; 128.
- Olver, Harry L.; 6 Watson Place, Maylands; 6/2/67; 3147; 283.
- Osbourn, Howard J.; 139 Patterson Road; Kewdale; 24/1/67; 3072; 208.
- Pacino, Luigi; 25 Barley Street; Mt Lawley; 13/1/67; 2995; 131.

- Paini, Giancarlo: 11 Chaffers Street. Morley: 25/1/67: 3084: 220.
- Parker, Alfred: Box 23, Pemberton: 8/2/67: 3165: 301.
- Parker, Allan I.; Alexander Road. Parkerville: 19/1/67: 3043: 179.
- Parker, Leonard D.; Forrest Street, Quairading: 19/1/67: 3038: 174.
- Parkinson, James P.: Moora; 24/2/67: 3207: 343.
- Passey, Leonard J.: Walcott Street, Broome: 24/2/67: 3202: 338.
- Passmore, Robert E.: 111 Williamson Street: Three Springs: 8/3/67: 3231: 367.
- Paterniti, Gaetano: 77 Garratt Road, Bayswater: 13/1/67: 3000: 136.
- Paterniti, Vincinzo: 41 Helena Street: Guildford: 1/2/67: 3100: 236.
- Paulus, Willem R.: 9 Kathleen Street. Cottesloe: 26/1/67: 3093: 229.
- Payet, Phillippe: Mahogany Creek: 12/1/67: 2958: 94.
- Pearson, George A.: Dongara: 6/2/67: 3134: 270.
- Pedretti, Vincent S.: 65 Shakespeare Street. Mt Hawthorn: 3/2/67: 3125: 261.
- Pedretti, William T.: 11 Charles Street: Welshpool: 12/1/67: 2981: 117.
- Pengilly, George M.: 79 Tamar Street. Palmyra: 8/2/67: 3169: 305.
- Percy, Keith C.: Grass Valley. via Northam: 13/2/67: 3180: 316.
- Perlman, Isaac S.: 124 Eighth Avenue. Mt Lawley: 13/1/67: 3007: 143.
- Perlman, Joseph: 11 Thurston Street: Mt Lawley: 13/1/67: 3008: 144.
- Petersen, Peter: 39 Hovea Terrace. South Perth: 17/1/67: 3032: 168.
- Phillips, Reginald A. K.; 111 Butcher Street. Bruce Rock: 9/1/67: 2923: 59.
- Poletti, John A.: Hammond Road. Jandakot: 1/1/67: 2879: 15.
- Poore, William G.: Lot 4—234 Hammond Road. Jandakot: 1/1/67: 2881: 17.
- Porter, Cyril W.: Thomas Street. Busselton: 17/3/67: 3252: 388.
- Postans, Henry K.: 6 Keenan Street. Kalgoorlie: 19/1/67: 3040: 176.
- Powell, Arthur G.: Jerramungup: 13/2/67: 3176: 312.
- Powell, George: Coolgardie: 17/1/67: 3018: 154.
- Prest, Jerome: 84 Anzac Road. Mt Hawthorn: 1/2/67: 3104: 240.
- Preston, Philip: Jingalup. via Kojonup: 9/1/67: 2921: 57.
- Proctor, Leslie C.: 231 Marmion Street. Palmyra: 13/2/67: 3181: 317.
- Proctor, Clarence: 231 Marmion Street. Palmyra: 25/1/67: 3089: 225.
- Ptak, Schloima: 8 Adair Parade. Mt Lawley: 6/2/67: 3126: 262.
- Purdy, Arthur F.: 1 Hannibal Street. Palmyra: 21/2/67: 3198: 334.
- Ramacciotti, Agostino: 485 Beaufort Street. Highgate: 17/3/67: 3258: 394.
- Randell, Roy F.: 35 Government Road. Dowerin: 13/1/67: 2993: 129.
- Rankin, Robert M.: 93 Steere Street. Collie: 24/1/67: 3058: 194.
- Rapkins, Albert P.: c/o Glendearg Lodge. Kwinana: 24/2/67: 3216: 352.
- Rea, Edward A.: 2 Melvern Road, Rivervale: 1/1/67: 2870: 6.
- Rees, Walter W.: Ravensthorpe: 15/3/67: 3248: 384.
- Reeves, Alfred L.: 9 Keppell Street. Willagee: 12/1/67: 2965: 101.
- Reynolds, Edward H.: 118 Penguin Road. Safety Bay: 20/2/67: 3183: 319.
- Rickwood, George H.: 81 Fairbarn Road. Busselton: 17/1/67: 3017: 153.
- Rigby, Ramon F.: Yealering: 24/1/67: 3076: 212.
- Ridley, Cecil: 102 Raleigh Street. Carlisle: 1/1/67: 2872: 8.
- Rigoli, Vincinzo: 181 Waterloo Street. Tuart Hill: 5/1/67: 2909: 45.
- Roads, Roland R.: Kulin: 24/1/67: 3074: 210.
- Rogers, Donald G.: Rottneest Island: 5/1/67: 2906: 42.
- Rosenstock, Mendel: 56 Lanark Street. Mt Lawley: 24/1/67: 3064: 200.
- Ross, Bernard: 3 View Street. Subiaco: 5/1/67: 2920: 56.
- Ross, Leslie F.: 3 Chertrey Street: Mt Lawley: 19/1/67: 3050: 186.
- Rossi, Francesco S.: 24 Shakespeare Street. Leederville: 24/1/67: 3073: 209.
- Rowe, Frank: 16 Kennerly Street. Cloverdale: 24/1/67: 3071: 207.
- Rowe, Raymond V.: 89 Morrison Road. Redcliffe: 21/2/67: 3195: 331.
- Roza, Wadia: 43 Lancaster Street. Dianella: 13/1/67: 3009: 145.
- Rupe, Alexander D.: Ravensthorpe: 5/1/67: 2900: 36.
- Salmon, Robert R.: 20 Frank Street. Boulder: 5/1/67: 2902: 38.
- Sanford, Charles J.: 17 John Street. Armadale: 17/1/67: 3033: 169.
- Scadden, Jack: Hampton Street. Roebourne: 5/1/67: 2915: 51.
- Scholes, Thomas G.: 207 Bulwer Street. Perth: 8/2/67: 3167: 303.
- Schouten, Cornelius J.: 77 South Street, South Fremantle; 12/1/67: 2963: 99.
- Sexton, Frederick P.: 162 Grey Street. Albany: 9/1/67: 2922: 58.
- Sgro, Calegero: 15 Park Street. Mt Lawley: 13/1/67: 2996: 132.
- Shanks, Graeme C.: Margaret River: 1/3/67: 3219: 355.
- Sheehy, David A.: 174 Holland Street: Palmyra: 6/2/67: 3163: 299.
- Sheehy, James P.: 379 Canning Highway. Palmyra: 8/2/67: 3170: 306.
- Sheehy, Thomas A.: 368 High Street, East Fremantle: 21/2/67: 3196: 332.
- Shepherd, John A. R.: Victoria Parade. Midvale: 3/2/67: 3124: 260.
- Sherrifs, William D.: 209 Cape Street. Tuart Hill: 12/1/67: 2944: 80.
- Shier, Eric S.: 224 McDonald Street. Tuart Hill: 26/1/67: 3096: 232.
- Shore, John: Hargrave Street. Osborne Park: 26/1/67: 3092: 228.
- Shrubsall, George E. J.: 30 Gill Street. East Fremantle: 8/3/67: 3230: 366.
- Skelnik, Joseph: 290 Salvado Road. Wembley: 1/1/67: 2839: 25.
- Slafkin, Harry: Avon Terrace, York: 1/2/67: 3110: 246.
- Smith, Albert: The Esplanade. Esperance: 5/1/66: 2903: 39.
- Smith, Bernard D.: 31 Stiles Avenue. Rivervale: 8/2/67: 3168: 304.
- Smith, Edward C.: Mukinbudin: 6/2/67: 3157: 246.
- Smith, John R.: 14 First Avenue. Bassendean: 21/2/67: 3190: 326.
- Snook, Ronald E.: Buntine: 3/2/67: 3117: 253.
- Southern, Norman J.: Lot 21 Sicklemore Street. Brentwood: 3/3/67: 3221: 357.
- Southern, William A.: 8 Duke Street. Subiaco: 1/1/67: 2885: 21.
- Spagnolo, Alfio: 6 The Crescent. Redcliffe: 6/2/67: 3152: 238.
- Stewart, James A.: 114 Northstead Street. Scarborough; 26/1/67: 3091: 227.
- Strahan, Violet R.: Beasley Street. Moora; 1/1/67: 2890: 26.
- Street, Harry S.: 20 Turon Street. Bayswater: 6/2/67: 3149: 285.
- Stone, Francis H.: Morawa: 6/2/67: 3136: 272.
- Strudwick, Edward E.: Morawa: 6/2/67: 3138: 274.
- Stubbs, Richard: 14 Annison Street. Morley: 19/1/67: 3041: 177.
- Stul, Calko: 39 Wanneroo Road. Tuart Hill: 12/1/67: 2943: 79.
- Sturgeon, Francis C. C.: Jacoby Street. Mundaring: 19/1/67: 3042: 178.
- Swartz, Morris: 137 Buxton Street. Mt Hawthorn: 5/1/67: 2911: 47.
- Szczepanski, Tadeusz: 86 Salvado Road. Wembley: 19/1/67: 3052: 188.
- Szyman, Bazzli Joseff: 38 McKenzie Way. Embleton: 12/1/67: 2954: 90.
- Tate, Alan L.: 90 Manning Street. Bentley; 1/2/67: 3102: 238.
- Taylor, Derrick W.: Lakes Road, Barragup; 1/1/67: 2878: 14.

Terhoeve, Mannus C. A.; 20 Montrose Avenue, Nollamara; 17/1/67; 3026; 162.
 Thorgersen, Andrew T.; 47 Kirkham Hill Terrace; Maylands; 1/1/67; 2893; 29.
 Tilley, Frederick H.; 11 Ellesmere Street, North Perth; 24/2/67; 3212; 348.
 Toister, Samuel; 76 Auckland Street; North Perth; 24/1/67; 3062; 198.
 Tolland, Charles D.; Karlgarin; 1/1/67; 2865; 1.
 Trenfield, Charles H.; Meekatharra; 6/2/67; 3129; 265.
 Trichet, William C.; East Wanneroo; 27/2/67; 3194; 330.
 Trouchet, Albert E.; 139 Seven Oaks Street, Queens Park; 12/1/67; 2978; 114.
 Truran, Joseph; Mt. Jackson—Southern Cross; 24/1/67; 3057; 193.
 Turton, Edward A.; Popanyinning; 9/1/67; 2924; 60.
 Tweedie, Baden Powell; 13 Jarrah Street, Bunbury; 10/1/67; 2933; 69.
 Tyson, George E.; 25 Giles Street, Triggs Island; 19/1/67; 3054; 190.
 Urlich, Milenko, Higginsville; 25/1/67; 3083; 219.
 Valli, Louis J.; Picton; 10/1/67; 2936; 72.
 Van-Styn, Gerald K. M.; 91 Tower Street, Leederville; 3/2/67; 3119; 255.
 Van-Styn, Machiel; 91 Tower Street, Leederville; 3/2/67; 3120; 256.
 Van Vessen, John F.; 45 River Road, Bayswater; 12/1/67; 2955; 91.
 Vinciullo, Singorino; 275B Scarborough Beach Road, Osborne Park; 1/1/67; 2867; 3.
 Wajnszok, Sender; 42 Meenaar Crescent, Mt Lawley; 1/1/67; 2895; 31.
 Wajzman, Cyzyk; 536 Charles Street, North Perth; 24/1/67; 3065; 201.
 Waller, Juno V.; Yilgarn Street, Northam; 20/2/67; 3187; 323.
 Walton, William A.; Watheroo; 10/1/67; 2932; 68.
 Watkins, Clarence; 61 Crimea Street, Morley Park; 13/1/67; 3002; 138.
 Watson, Duncan; 89 Tudhoe Street, Wagin; 17/1/67; 3025; 161.
 Watts, Ernest A. P.; Dwellingup or 53 Colin Street, Carlisle; 17/1/67; 3023; 159.
 Wells, Edmund K.; Carnamah; 6/2/67; 3131; 267.
 Weston, Henry; Barberton, via Moora; 1/3/67; 3217; 353.
 Westbrook, Vernon E.; Badgingarra, via Moora; 17/1/67; 3021; 157.
 White, Harcourt T.; 57 Schorer Street, Kojonup; 3/2/67; 3118; 254.
 White, Norman J.; 36 McKimmie Street, Palmyra; 21/2/67; 3197; 333.
 White, Eford L.; 10 Jagoe Street, Willagec; 12/1/67; 2964; 100.
 White, Robert W.; 14 Rivett Way, Brentwood; 13/2/67; 3179; 315.
 Whitsed, John A.; 197 The Strand, Bedford Park; 10/1/67; 2928; 64.
 Wilks, Arthur H.; Tammin; 17/1/67; 3027; 163.
 Williams, George M.; Kellerberrin; 25/1/67; 3086; 222.
 Williams, J. H.; Menzies; 13/2/67; 3175; 311.
 Williams, Walter R.; Toolibin; 25/1/67; 3081; 217.
 Willis, George; Yalgoo; 20/2/67; 3184; 320.
 Wilson, Arthur G.; 22 Mengler Avenue, Claremont; 17/1/67; 3034; 170.
 Wilson, Doris Clara; Wyalkatchem; 13/1/67; 2987; 123.
 Wilson, Edward E.; Wyalkatchem; 13/1/67; 2988; 124.
 Wilson, Edward J.; Wyalkatchem; 13/1/67; 2989; 125.
 Wilson, George; 6 Pansy Street, North Perth; 24/2/67; 3213; 349.
 Wilton, Vernon J. A.; Three Springs; 17/1/67; 3031; 167.
 Wood, Frederick Wm.; 1st Avenue, Bickley; 5/1/67; 2913; 49.
 Woodcock, Wilfred J. C.; Box 81, Northampton; 6/2/67; 3141; 277.
 Wright, Colin W.; Cadoux; 3/2/67; 3116; 252.
 Wright, James W.; 1379 Albany Highway, Cannington; 10/3/67; 32/37; 373.
 Wylozney, David M.; 15 Blake Street, North Perth; 5/1/67; 2918; 54.

Yeing, Laurence R.; 196 Hampton Road, South Fremantle; 5/1/67; 2917; 53.
 Zelenka, Joseph; 2 Albert Street, North Perth; 1/1/67; 2896; 32.
 Zenel, Kadri; Gibbs Road, 24 Mile Peg, Wanneroo; 12/1/67; 2947; 83.
 Zillner, John; 234 Hammond Road, Jandakot; 1/1/67; 2880; 16.
 Zinkler, Stanley O.; Quairading; 19/1/67; 3039; 175.
 Zisis, Peter; 53 Fitzgerald Street, West Perth; 14/3/67; 3243; 379.
 Zorzut, Guiseppa; Tower Street, Leonora; 2/2/67; 3114; 250.

 LICENSED FIREARM DEALERS FOR 1967.

Name;	Number;	Address.
Adams, Reginald George;	21124;	110 Wilson Street, Kalgoorlie.
Adelaide Timber Co.;	19543;	Wilga via Boyup Brook.
Aitken, Frederick Kenneth;	20762;	Prince Street, Busselton.
Alexander, Roy (The Gunsmith);	20833;	cnr. William and Aberdeen Streets, Perth.
Alexandra Store;	19691;	Alexandra Bridge, via Margaret River.
Alman's Sports Co. Pty Ltd;	21123;	211 Hannan Street, Kalgoorlie.
Amelup Agencies;	19272;	Amelup, via Albany;
Ampol Road House;	19769;	Norseman.
Anderson, Ian;	20383;	Kulja, via Koorda.
Angus, Edith Alice;	17443;	Greenbushes.
Archers Agency;	19170;	Locke Street, Derby.
Armstrong, Harry Pty Ltd;	20855;	201a Murray Street, Perth.
Armstrong Dimmitt Ltd;	20857;	379 Murray Street, Perth.
Ashelfords Four Square Store;	20237;	49 Railway Terrace, Wyalkatchem.
Astronic Imports;	20831;	66 Railway Parade, West Perth.
Australian Services Canteen;	20856;	Stubbs Terrace, Karrakatta.
Avon Trading Co.;	18740;	Vincent Street, Beverley.
Ayling, William Harold;	19172;	Locke Street, Derby.
Aylmore's Store;	20167;	51 Railway parade, Goomalling.
Badger's Motors Agency;	19712;	306 Fitzgerald Street, Northam.
Baird's Co. Ltd;	20837;	Wellington Street, Perth.
Baker, David Leon;	16454;	108 Barrack Street, Merredin.
Ballidu Saveway Store;	20730;	Wongan Hills.
Balmoral Cycles;	19191;	912 Albany Highway, East Victoria Park.
Banting, A. C. & M. M.;	20760;	Queens Street, Busselton.
Barber, L. C. & S. C.;	21223;	Charlotte Street, Dardanup.
Barden, William Dominic;	19621;	Jose Street, Mullewa.
Barrett, Bernard Maurice;	20733;	Ballidu via Wongan Hills.
Barrow & Richardson;	18742;	Vincent Street, Beverley.
Bartles Hardware;	20829;	209 Main Street, Osborne Park.
Bateman, J. & W. Ltd;	20853;	Hay Street, Perth, Henry and High Streets, Fremantle, Dugan Street, Kalgoorlie.
Beacon Hardware Agency;	21013;	Beacon via Bencubbin.
Beavis Bros;	19713;	Fitzgerald Street, Northam.
Bednall, Alan John;	66505;	50 Fortune Street, Narrogin.
Bell, Daniel Norman;	18940;	Naraling via Northampton.
Bell, Robert & Co.;	19962;	Austin Street, Cue.
Bendall, C. W. & I. R.;	18435;	Pickering Brook via Kalamunda.
Benger Service Station;	20331;	Benger via Harvey.
Benjaberring Farmers Co-op.;	20236;	Benjaberring, via Wyalkatchem.
Beverley Farmers Co-op.;	18739;	Vincent Street, Beverley.
B.H. & P. Service;	16222;	Tambellup.
Bindi Provision Store;	21330;	Bindi Bindi via Moora.

- Bloor, A. & Son; 18384; Dwellingup.
 Boans Ltd; 20839; Wellington Street, Perth, Waverley, Morley.
 Bock, Michael Anthony; 20819; 390 Oxford Street, Mt. Hawthorn.
 Boustead Wood Pty Ltd; 20834; rear 104 Murray Street, Perth.
 Bowler, James Mansel; 20426; 23 Charles Street, Kalgoorlie.
 Boyup Brook Co-op.; 19540; Boyup Brook.
 Bradley, Brian; 19493; Grass Patch via Esperance.
 Brick, Michael Joseph; 19446; Dudinin, Jitanning.
 Brookton Farmers Co-op.; 17272; Robinson Road, Brookton.
 Broomehill, Katanning & Woodanilling District Co-op. Ltd; 18659; Broomehill, Woodanilling, Katanning.
 Brown, Andrew; 17464; Avon Terrace, York.
 Brown, George Wilfred; 17763; 278 Canning Highway, Bicton.
 Brown, J. J. & M.; 16223; Tambellup.
 Bruce Rock District Farmers Co-op.; 20713; Bruce Rock.
 Bunbury Lock & Gun Co.; 20601; 26 Stirling Street, Bunbury.
 Bunney Bros.; 18298; Kununoppin via Trayning.
 Bukerup Store & Post Office; 20335; Bukerup.
 Burges, L. J. & M. N.; 19617; P. O. Store, Tardun, via Mullewa.
 Burns, Philp & Co.; 15614; Williams Street, Fremantle.
 Bushell, Leslie William; 20708; Main Street, Ardat.
 Buxton, Eric Edgar; 19716; 135 Fitzgerald Street, Northam.
 Byass' Store; 19443; Pingaring via Kulin.
 Byford Trading Co.; 13390; Bunbury Road, Byford.
 Brown, Cedric John L.; 19092; Main Street, Cunderdin.
 Calingiri Farmers' Co-op.; 19899; Calingiri via New Norcia.
 Campbell, O. M. & C. C.; 20816; 171 Oxford Street, Leederville.
 Canestrini, Lewis Peter; 19961; Austin Street, Cue.
 Cant, Frederick Robert Smith; 20786; Walkaway.
 Capriotti, Carlo; 20679; 32 George Street, Pinjarra.
 Caputo, Sam; 19456; 80a Scarborough Beach Road, Scarborough.
 Cargeeg, Ian Garfield; 20824; 62 St. George's Terrace, Perth.
 Carger, J. G. & Sons; 19286; Massingham Street, Kellerberrin; Carnarvon Motors; 19918; Foss Street, Carnarvon.
 Carter, John Osborne; 19915; Junction Hotel, Gascoyne Junction.
 Casey, Eva Victoria; 18866; Coorow via Carnamah.
 Charlton, John; 17842; Wandering via Williams.
 Clark, Allan Tait; 20846; 414 Murray Street, Perth.
 Clarke, Henry William; 12371; Onslow.
 Clarke, John Howard; 20763; Dunsborough via Busselton; Clarke's Saweway Store; 17843; Forrest Street, Boddington.
 Clarsons Pty. Ltd.; 21041; Gilbert Street, Manjimup.
 Collie Industrial Co-op Society Ltd; 20576; Steere Street, Collie.
 Collie Star Cycles; 15900; 41 Forrest Street, Collie.
 Condingup Agencies; 19494; Condingup via Esperance.
 Conglomerate Store; 13589; Nullagine.
 Conrad, J. M. & P. A.; 20729; Cadoux via Wongan Hills.
 Cook, H. J. & E.; 20709; Bruce Rock.
 Coolup Trading Co.; 20683; Coolup via Pinjarra.
 Cooper, W. & S.; 21086; South West Highway, Kirup.
 Co-operative Wholesale Services Ltd; 19193; Cnr. Charles and Ewing Streets, Welshpool.
 Corley Sport & Fruit Store; 18623; Serpentine Road, Albany.
 Corrigin District Farmers Co-op.; 19862; Corrigin, Bilbarrin.
 Cosmo Newberry Mission; 15686; Laverton.
 Crackel, Percy; 20821; 124 William Street, Perth; 22 Market Street, Fremantle.
 Crescent Hardware; 19542; Boyup Brook.
 Crotty, James Edward; 20336; Brunswick Junction.
 Cruickshank, Leslie William; 18295; Yelbeni via Trayning.
 Cumbers, Leslie Thomas; 19375; Wogolin Street, Wickepin.
 Cunderdin Farmers Co-op.; 19091; Cunderdin.
 Cutbush & Matsen; 19619; Maitland Road, Mullewa.
 Custer, D. W.; 20843; 73 Tower Street, Leederville.
 Dale, T. P. & Co.; 20166; Railway Terrace, Goomalling.
 Dalgety & New Zealand Loan Ltd; 20825; William Street, Perth; Port Hedland; Carnarvon; Geraldton; Roebourne.
 Daly, Tim; 15615; 50 Adelaide Street, Fremantle.
 Darkan Trading Co.; 19942; Darkan via Williams.
 Darnell & Son; 19693; Witchcliffe via Margaret River.
 David Jones (W.A.) Ltd; 20835, 18657; St George's Terrace, Perth; Albany; Geraldton; Katanning; Narrogin.
 Davidson, Douglas Joseph; 21162; O'Donnell Street, Wyndham.
 Davis, O. & D.; 19374; Harrismith via Wickepin.
 Daw, F. E. & Sons; 19589; Ravensthorpe, Hope-toun.
 Daws' Pty Ltd; 19487; Esperance.
 Dawson, A. & Son; 16504; 19 Egerton Street, Narrogin.
 Dawson, Leonard; 18933; Binu via Northampton.
 Dawsons, W. R.; 18046; Absolon Street, Dumble-yung.
 De-Haan, Matthys; 19914; Caltex Service Station, Carnarvon.
 Della-Bosca, Peter; 16457; Westonia, via Merredin.
 Dempster, C. & Co.; 19664; 6-8 Wedge Street, Port Hedland.
 Denmark Co-op; 19309; Denmark.
 Dignam, Ian; 19587; Hopetoun, via Ravensthorpe.
 Digney Bros; 15068; 2 Sholl Street, Mandurah.
 Doodlakine Farmers Co-op; 19283; Doodlakine, via Kellerberrin.
 Dowding, Walter; 19282; Kellerberrin.
 Dowerin Farmers Co-op; 20509; Dowerin.
 Drabble, W. & Co.; 20860; 64 Bay View Terrace, Claremont; Kalgoorlie.
 Drew, Robinson & Co.; 18621; Stirling Terrace, Albany.
 Duane's Country Service Centre; 20456; Main Street, Hyden.
 Dumbleyung Cash Store & Agency; 18047; Dumble-yung.
 Dumbleyung & District Farmers Co-op; 18048; Dumbleyung; Moulyinning.
 D'Vorak, Les & Co.; 21215; 37 Spencer Street, Bunbury.
 Eddy Bros.; 12718; Canning Bridge.
 Edments; 20845; 696 Hay Street, Perth.
 Edwards, J. & W. D.; 18420; Gingin Road, Muchea.
 Edwards & Milverton; 20016; Lake Grace.
 Edwards Hardware Service; 16462; Bates Street, Merredin.
 Elder Smith-Goldsbrough Mort Ltd; 19916; St George's Terrace, Perth; Derby; Carnarvon; Leonora; Pt Hedland; Meekatharra.
 Ellies, William Bastian; 18064; Carnarvon Street, Broome.
 Emery, A. T. & B. H.; 16458; Great Eastern Highway, Bodallin.
 Esperance Agencies; 19490; Andrew Street, Esperance.
 Esperance Sports Centre; 19488; Dempster Street, Esperance.
 Eval Agencies; 20858; 252 William Street, Perth.
 Ewart, Frank; 13115; India Street, Broomehill.
 Fitzer, R. J. & E. M.; 21136; P. O. Store, Koolaanooka via Morawa.
 Fitz's Newsagency; 19920; 16 Robinson Street, Carnarvon.
 Flash Cycles; 18549; 35 Great Northern Highway, Midland; 193 James Street, Guildford; 175 Perth Road, Bassendean.
 Fleay's General Store; 12370; Second Avenue, Onslow.
 Fleming, Bruce & Co.; 19392; Mt Magnet.
 Fleming, Robert; 19284; Kellerberrin.
 Foodland Supavalue Store; 19168; Derby.
 Foster, T. J. & E. M.; 19620; Tenindewa via Mullewa.

- Frankland Traders; 19069; Frankland via Cranbrook.
- Fraser's Hardware; 17398; 66 Lane Street, Boulder.
- Fremantle Sports Depot; 15616; 11-13 Atwell Arcade, Fremantle.
- Frewins Emporium; 21220; 109 Victoria Street, Bunbury.
- Fry, Laurie; 20822; 80 Rokeby Road, Subiaco.
- Fuller, Thomas Anderson; 19492; Esperance.
- Fitzgerald, Brian Andrew Burns; 21090; Kirup.
- Gale, Brian Allan; 18982; Augusta.
- Gale, Herbert; 19689; Margaret River.
- Galt, Alexander; 20058; Wagin; Narrogin.
- Gee Hong Yet; 21160; O'Donnell Street, Wyndham.
- General Store; 20785; Walkaway via Geraldton.
- George, D. G.; 20382; Railway Street, Koorda.
- Gerick, E. S. & Bros; 19129; 102 Wooton Street, Wiluna.
- Gerick & Lloyd; 21058; Meekatharra.
- Gething; H. & H.; 16460; Barrack Street, Merredin.
- Gibellini, Abel & P. A.; 20102; Mogumber via New Norcia.
- Gibson Bros; 20811; 27 Leon Road, Dalkeith.
- Gillespie, William Robert; 18741; Vincent Street, Beverley.
- Glass, Philip Maurice Aldworth; 17463; Avon Terrace, York.
- Gnowangerup Co-op; 19269; Gnowangerup; Borden.
- Gollin & Co; 20841; 215 Hay Street, Subiaco; Corner King and Murray Streets, Perth.
- Gould, John & E.; 20732; Kondut via Wongan Hills.
- Gray, H. A. & B.; 18938; Nabawa via Northampton.
- Grayland, W. W. & M. L.; 20163; Railway Terrace, Goomalling.
- Great Southern Agency Pty Ltd; 18618; Stirling Terrace, Albany.
- Great Southern Radio Service; 18656; 123 Clive Street, Katanning.
- Green, F. W. & Co.; 20838; 168 Wellington Street, Perth.
- Greenwell, Walter; 18419; Brockman Road, Gingin.
- Groves, Sydney James; 20712; Kwolyin via Bruce Rock.
- Guadagnino, Alfonso; 21039; 87 Giblett Street, Manjimup.
- Guscott, Richard; 20782; 96 Marine Terrace, Geraldton.
- Haag, Frederick Rudolph; 20759; Queen Street, Busselton.
- Haese Bros; 20662; Hassell Street, Mt. Barker.
- Halls Creek Store; 18482; McDonald Street, Halls Creek.
- Hancock, Charles William & Son; 16503; Federal Street, Narrogin.
- Happ, George Leopold; 17444; Balingup.
- Harris, Hugh Brian; 20218; Bullfinch.
- Harris, Scarfe & Sandovers Ltd; 20836; 44 Belmont Avenue, Belmont.
- Harrison's Store; 13389; Jull Street, Armadale.
- Harrison, M. A. & L. M.; 18622; Narrikup via Albany.
- Hasleby, Keith Nelson; 19919; Hamel Store, E. Carnarvon.
- Hawker Siddeley Building Supplies Ltd; 21043; Deanmill, Pemberton; Shannon River.
- Haworth, R. & J.; 20661; Porongorups via Mt Barker.
- Hayward, Thomas & Sons; 21216; Stephen Street, Bunbury.
- Henderson Motors; 20429; 5 Boulder Road, Kalgoorlie.
- Hills, W. L. & L. J.; 20078; Sth Kumminin via Narembeen.
- Hills Saveway Store; 19900; Calingiri via New Norcia.
- Hirschmann, A. & F.; 20077; Churchill Street, Narembeen.
- Hodgson & Cranston Pty Ltd; 21125; Box 11, 34 Boulder Road, Kalgoorlie.
- Hogan, John; 19939; Quindanning via Williams.
- Holtfreter, Roy Maxwell; 19714; 139 Fitzgerald Street, Northam; 109 Avon Terrace, York.
- Holtham, G. G. & H.; 19692; Augusta via Margaret River.
- Hood, Cuthbert; 20847; 485-7 Murray Street, Perth.
- Hood-Penn, Stanley Hubert; 16456; Burracoppin.
- Hopkins, Ronald Kenneth; 20431; 68 Maritana Street, Kalgoorlie.
- Horbury, Joan Elsie; 21251; Bunjil via Perenjori.
- Hotham, Hugh Atkinson; 19372; Yealering.
- Howells, Thomas Trevor; 19070; Tenterden via Mt Barker.
- Hoycard, Laurence Osborne; 19768; B.P. Dundas Service Station, Norseman.
- Hudson, Albert Sydney; 18571; Pingrup via Katanning.
- Hunt & Kendall; 20361; Albany Highway, Kojonup.
- Hunter, Alfred; 18962; Three Springs.
- Hutchins, Arthur William; 20765; 46 Queen Street, Busselton.
- Hutchinson, T. L. & M. L.; 19390; Paynes Find Hotel.
- Hyams, Wholesalers Pty Ltd; 20821; 1st Floor, 197 Murray Street, Perth; 115-117 Aberdeen Street, Perth.
- Hyden Trading Co.; 20454; Hyden.
- Hyder & Beatty; 20756; Bussell Highway, Busselton.
- Imperial Chemical Industries of Australia & New Zealand Ltd; 20852; 171 St. George's Terrace, Perth.
- Ingram, A. S. & K.; 20162; Railway Terrace, Goomalling.
- James, Arnold; 21139; Morawa.
- Jamieson, J & M.; 20710; Jermyn Street, Shackleton.
- Jamieson, W. A. & S.; 20365; Qualeup via Kojonup.
- Jarrahdale General Store; 20976; Main Street, Jarrahdale.
- Jefferies, William Horace; 20764; Vasse via Busselton.
- Jeffreys, James William & Co.; 20479; Marble Bar.
- Jenkin Hardware; 20731; Fenton Street, Wongan Hills.
- Jenkins, A. & E. M.; 19557; Dongara.
- John David Agencies; 20821; 197 Murray Street, Perth; 2 Plaza Arcade, Perth.
- Johnson, Thomas Vivian; 19231; 306 Safety Bay Road, Safety Bay.
- Johnstone, Graham David; 21040; Brockman Street, Manjimup.
- Johnston's & Ironclad Store; 20480; Francis Street, Marble Bar.
- Jones, A. T. & Co.; 2087; Room 14, Second Floor, A.N.Z. Building, 237 Murray Street, Perth.
- Jones, E. & E. L.; 20380; Dukin via Koorda.
- Jones, Mal & Co.; 20659; Lowood Road, Mt Barker.
- Julians Service Station; 17396; 70 Piesse Street, Boulder.
- Kalannie Trading Co.; 20526; Kalannie.
- Kalbarri Store; 18941; Kalbarri.
- Karragullen Store and Agency; 18436; 2 Railway Parade, Karragullen.
- Katanning Stock and Trading Co.; 18658; Katanning.
- Keally, Stanley Charles & Son; 19943; Brooking Street, Williams.
- Keene, John Fitzroy Nevil; 20780; 80 Marine Terrace, Geraldton.
- Kellerberrin Farmers Co-op; 19285; Kellerberrin.
- Kelly, J. T. & D. T.; 21016; Monger Street, Bencubbin.
- Kennedy, Herbert; 18066; Napier Terrace, Broome.
- Kent, Rowland Basil, 19491; Esperance.
- Kent Service Station; 19169; Clarendon Street, Derby.
- Kevills Garage; 17549; Quairading.
- Kiely, Keith Austin; 20978; Mardella via Mundijong.
- Killerbys Pty Ltd; 20754; Queen Street, Busselton.
- Kojonup Co-op Ltd; 20360; Kojonup.
- Kordys, Leslie; 18296; Kordy's Garage, Trayning.
- Krasnostein, J. & Co. Pty Ltd; 20848; 231 Bulwer Street, Perth; Irvine Street, Bayswater; 89-91 Egan Street, Kalgoorlie; 555-557 Albany Highway, Victoria Park.
- Krauth, Leslie Robert; 20362; Jingalup via Kojonup.
- Kuhl, Les & Son; 19525; Padbury Street, Moora.
- Kukerin Co-op Ltd; 18045; Kukerin via Dumbleyung.
- Kununurra Trading Co.; 21183; Ampol Service Station, Kununurra.
- Lake Grace District Farmers Co-op; 20015; Lake Grace.

- Lake Varley Farmers Co-op Ltd; 19590; Lake Varley via Ravensthorpe.
- Lanigan, J. B. & P. A.; 19898; Lanigan's Cash Store, New Norcia.
- Lardi Bros.; 17125; Tammin.
- Latham Traders; 21252; Brett Street, Latham via Perenjori.
- Laverton Trading Co.; 15685; Laverton.
- Lawson's Electrical Services; 21137; Winfield Street, Morawa.
- Leahy, Thomas Andrew Donald; 15688; Laver Street, Laverton.
- Lee, Thomas; 19123; Roebourne.
- Lee, Valentine; 20165; Konnongorring via Goomalling.
- Lee Tong, Bessie & James; 21159; Wyndham.
- Leishman, P. & A.; 20455; Hyden via Kondinin.
- Leroya Industries; 20861; 672 Hay Street, Perth.
- Lindley, J. H. & Co.; 16458; Walgoolan via Merredin.
- Lindsay, B. & J.; 17442; Greenbushes.
- Linnett, Harold Frederick; 20854; 277 Murray Street, Perth.
- Lock & Gun Co.; 20830; 88 Beaufort Street, Perth; Kew Street, Kewdale.
- Lodge & Sons; 21140; Morawa.
- Loeper; James Adolph; 15799; Stirling Terrace, Toodyay.
- Lucraft & Son; 18418; Gingin.
- Luppino, Rocco; 19728; 42 River Road, Kelmscott.
- Lynes, E. H. & R. H.; 20512; Ejangding via Dowerin.
- McAleer, Charles; 21057; Main Street, Meekatharra.
- McAuliffe, David; 16506; 34 Fortune Street, Narrogin.
- McBride, Peter Field; 20430; Ginalbie Station, Kalgoorlie.
- McCay's General Store; 18220; Hampton Street, Bridgetown.
- McClelland, G. J. & G. A.; 20217; Moorine Rock.
- McCormack, John; 21225; 7 Hillcrest Avenue, Bunbury.
- McCormick, William Richard; 19663; 9 Anderson Street, Port Hedland.
- McCracken, K. L. & V. E.; 18935; Lot 2, Yuna via Northampton.
- McGarrigal, Cecil William; 20630; General Store, Popanyinning.
- McKay, Peter James; 18547; P.O. Store, Upper Swan.
- McLean Bros & Rigg; 20844; 104 Murray Street, Perth; Albany; Kalgoorlie.
- McQuillan, H. J. Ltd; 20826; 1017 Wellington Street, West Perth.
- Mahon, Michael Patrick; 20457; Kondinin.
- Manmanning Agency Co.; 20507; Manmanning.
- Marradong Traders; 17841; Forrest Street, Boddington.
- Martin, J. A. & A. J.; 20101; Yericoin.
- Martin, T. W. & Co.; 18937; Northampton.
- Matthews, Geoffrey Hugh; 21015; Monger Street, Bencubbin.
- Matthews, John Edmund; 17270; Robinson Road, Brookton.
- Matthews & Co.; 21326; Dandarragan Street, Moora.
- Maurice, Stephen John & Son; 18599; Bowgada, via Perenjori.
- Mays, E. M. & T. C.; 19767; 86 Roberts Street, Norseman.
- Maywood & Theaker; 19917; 50-52 Robinson Street, Carnarvon.
- Meckering Farmers Co-op.; 15020; Meckering.
- Medina Hardware & Hire; 13642; Pace Road, Medina.
- Meekatharra Pharmacy; 21059; Meekatharra.
- Melrose Stores; 19524; Dandarragan Street, Maora.
- Menghini, Mill; 20840; 25 Circe Circle, Dalkeith.
- Metcalf, Ronald Frank; 20508; Dowerin.
- Metcalf, Edgar George; 20813; Scarborough Beach Road, Osborne Park.
- Metzke, Walter & Son; 20215; Antares Street, Southern Cross.
- Middleton's Stores; 17799; Serpentine, via Mundijong.
- Midland Surplus Stores; 18550; 293 Great Eastern Highway, Midland.
- Miling Co-op. Co. Ltd; 21397; Miling, via Moora.
- Millar, H. J. & M.; 19616; Jose Street, Mullewa.
- Millar, Robert John; 18256; 1433 Albany Highway, Cannington.
- Millars Timber & Trading Co Ltd; 20817; St. George's Terrace, Perth.
- Millars & Sandovers; 19489; Randall Street, Esperance.
- Miller, Catherine McLaren; 20728; Burakin, via Wongan Hills.
- Millar's Hardware & Sports; 19192; 313 Albany Highway, Victoria Park.
- Mingenew Trading Co; 17243; Mingenew.
- Minnivale Trading Co; 20511; Minnivale, via Dowerin.
- Mitchell, C. M. & Sons; 18934; Hampton Road, Northampton.
- Mitchell, Frank; 20603; 70 Victoria Street, Bunbury.
- Mollerin Traders; 21014; Mollerin.
- Moonyoonooka Stores; 20787; Moonyoonooka, via Geraldton.
- Moore, William David; 16508; Altona Street, Cuballing.
- Moorine Rock Stores & Agencies; 20219; Moorine Rock.
- Mount Barker Co-op Ltd, Retail Stores; 20658; Mount Barker.
- Mount Barker Timber & Trading Co; 20660; Langton Road, Mt. Barker.
- Mt. Margaret Mission; 15688; Mt. Margaret Mission, via Laverton.
- Moyes & Son; 18221; Steere Street, Bridgetown.
- Moyle, Edward Ervin; 21089; Mullalyup, via Donnybrook.
- Mukinbudin Shire Council; 14876; Mukinbudin.
- Mundaring Hardware; 1833; 55 Great Eastern Highway, Mundaring.
- Mundijong Supply Store; 20977; Mundijong.
- Muntz, R. N. & J.; 19864; Corrigin.
- Muradup Co-op Ltd; 20363; Muradup, via Boyup Brook.
- Murray Trading; 19622; Mullewa.
- Nancarrow, H. Walter; 20680; George Street, Pinjarra.
- Naylor, R. M. & J. E. L.; 16507; Highbury.
- Neve's Tool Store; 20428; 278 Hannan Street, Kalgoorlie.
- Nevill, John Lawrence; 17173; Corner Store, Yalgoo.
- Newdegate Farmers Co-op; 20017; Newdegate.
- Nichols, William John; 20079; Narembeen Agency, Narembeen.
- Nockolds, Richard John; 19310; Denmark.
- Nolex Engineering Co; 20850; Corner Royal and Plain Streets, East Perth.
- Northern Districts Wholesaler; 20784; Sanford Street, Geraldton.
- Noyens Enterprises; 19662; North West Coastal Highway, Port Hedland.
- Nukarni Trading Store; 16119; Nukarni.
- Nungarin Farmers Co-op; 16120; Railway Avenue, Nungarin.
- Offszanka, Carl Bernard; 21141; Canna, via Morawa.
- O'Neill, G. & M.; 20013; Maley Street, Newdegate.
- Ongerup & Needilup Co-op; 18569; Ongerup.
- Ord River District Co-op; 21184; Kununurra.
- Osborne Park Co-op; 20851; Main Street, Osborne Park.
- O'Shaughnessy, Patrick G., 20506, Dowerin.
- O'Sullivan's Hardware Store; 21038; Giblett Street, Manjimup.
- Outdoors Equipment; 20821; 197 Murray Street, Perth.
- Paust & Gibson; 15619; 31 High Street, Fremantle.
- Payne, Glyn Newton; 18475; Buntine.
- Peake, Thomas William; 20758; Queen Street, Busselton.
- Pearsal, Charles Frederick; 20849; Pearsall's Garage, Wanneroo.
- Pearson, William Hutchinson; 16459; Hines Hill, via Merredin.
- Pederick, R. C. & M. H.; 15470; Shark Bay.
- Pelle & Petersen; 20481; Francis Street, Marble Bar.
- Pember, Cecil Charles Francis; 19558; Dongara.
- Perenjori District Farmers; 18600; Perenjori.
- Perth Sports Depot; 20859; 85 Barnack Street, Perth.
- Pete's Self Service; 5259; Tower Street, Leonora.

- Piawanning Trading Agency; 19897; Piawanning, via New Norcia.
 Pingelly-Aldersyde Co-op; 20629; Pingelly.
 Pithara Farmers Co-op.; 20529; Pithara, via Dalwallinu.
 Pitman, Peter Anthony; 20164; Railway Terrace, Goomalling.
 Pitts, C. J. & J. C.; 14514; Yarloop.
 Planet Fisheries Pty Ltd; 15469; Shark Bay.
 Poletti, A. C. & P. M.; 5258; Tower Street, Leonora.
 Preston, F. J. & D. E.; 21426; Tincurrin.
 Preston Producers Co-op Co Ltd; 21088; Blackwood Road, Donnybrook.
 Prior's Agency; 10471; Bayley Street, Coolgardie.
 Proctor, Frederick Hutchinson; 19541; Boyup Brook.
 Prosser, Charles Rooks; 17397; Lane Street, Boulder.
 Prosser, Clarence Theo; 20687; North Dandalup.
 Quairading Farmers Co-op; 22001; Quairading.
 Quinlan, G. M. & P. S.; 21142; Gutha, via Morawa.
 Rakich, I. J. & Sons; 21476; Baskerville.
 Ray's Clothing Centre; 18619; 254 York Street, Albany.
 Ray's Star Auto Service; 20216; Antares Street, Southern Cross.
 Reid, E. & B. M.; 16461; Muntadgin.
 Reynolds, Norman Wilfred; 18870; Carnamah.
 Richards, Gordon Victor; 10793; Northcliffe, via Pemberton.
 Richards, K. & L.; 21012; Lindsey Street, Beacon.
 Ricketts, John Frederick; 19308; Denmark.
 Rickson, A. G. & G. H.; 18421; Bindoon.
 Rivervale Hardware; 1894; 27 Great Eastern Highway, Rivervale.
 Roberts, Gordon; 21224; Capel, via Bunbury.
 Roebourne Traders; 19121; Roebourne.
 Roelands Trading Co; 20334; Roelands.
 Rogers, Ross Douglas; 21122; 149 Hannan Street, Kalgoorlie.
 Rose, Robert George; 20755; Queen Street, Busselton.
 Ross, Donald Barker; 19393; Sandstone.
 Roy Alexander Pty Ltd; 20828; 111 Beaufort Street, Perth.
 Rushton, Horace; 17271; Robinson Road, Brookton.
 Salmon Gums Trading Co; 19766; Salmon Gums.
 Sander, Edward Robert; 15620; 116 Wray Avenue, Fremantle.
 Sandford, J. T. & J. E.; 12956; Fitzroy Crossing.
 Sawyers Sales & Service; 20528; Dalwallinu.
 Sawyers Valley Store; 18832; Sawyers Valley.
 Scaddan Trading Co; 19495; Box 21, Scaddan.
 Schier's Store; 18869; Carnamah.
 Schopen, W. K. & M.; 19863; Walton Street, Corrigin.
 Scott, S. G. & E. J.; 19271; Yougenup Street, Gnowangerup.
 Scott, William Robert; 19391; Hepburn Street, Mt. Magnet.
 Seimons, George Clarke; 19861; Corrigin.
 Seimons, George William; 19865; Bullaring, via Corrigin.
 Shackleton, Kwolyn Farmers Co-op Ltd; 20711; Shackleton, via Bruce Rock.
 Sharks Bay District Co-op Ltd; 15471; Knight Terrace, Denham.
 Sheed, David Pty Ltd; 21120; 101 Hannan Street, Kalgoorlie.
 Shem, Roger Harold; 21138; Winfield Street, Morawa.
 Shoesmith, John Louis; 20788; Sixth Street, Bluff Point, Geraldton.
 Sibly, E. G. & H. J.; 21087; South West Highway, Donnybrook.
 Sier & Chapple; 20332; Brunswick Junction, Harvey.
 Silver Prince Cycles; 20427; 101 Maritana Street, Kalgoorlie.
 S. J. Agency; 17800; 2 Patterson Street, Mundijong.
 Slater, Shenton & Co.; 17550; Heal Street, Quairading.
 Sleaford Park Service Station; 20604; Geelorum.
 Smith, Arthur Samuel; 17395; 119a Burt Street, Boulder.
 Smith's Stores; 18219; Hampton Street, Bridgetown.
 Smith, Walter Clyde & Co.; 19690; Margaret River.
 Smithson, William Samuel; 20657; Hassell Avenue, Kendenup.
 Solomon Bros; 15019; Gregory Street, Meckering.
 South West Sports Depot; 21219; 38 Wellington Street, Bunbury.
 Spencer Park Service Station; 18620; Cnr Nind and Angove Streets, Spencer Park.
 Sportsmarine; 21217; 82 Victoria Street, Bunbury.
 Sports Specialists Pty Ltd; 20862; 122 Murray Street, Perth.
 Sprigg, Rodney James; 19544; Dinninup.
 Spurr Bros; 21222; Roe Road, Capel.
 Squire, Clifford Leonard; 16912; Harvey.
 Stammers & Son; 17762; 265 Canning Highway, Palmyra.
 Start, Harold Arthur; 20781; 210 Marine Terrace, Geraldton.
 Stephens, O. L. & A. E.; 18655; Nyabing via Katanning.
 Stirling Farmers Co-op.; 19071; Gaythorne Street, Cranbrook; 16224; Tambellup.
 Stone, Eric; 19270; Borden via Gnowangerup.
 Stove, Mervyn David; 19122; Roebourne.
 Streeter & Male Ltd; 18065; Broome.
 Sullivans Garage & Service Station; 5257; Tower Street, Leonora.
 Summers, Frank; 18598; Latham via Perenjori.
 Sunny West Co-op. Dairy Farmers Ltd; 21218; Albany, Boyanup, Bunbury, Busselton, Bridgetown, Harvey, Denmark, Manjimup, Margaret River, Northcliffe.
 Sunshine, Crookes & Brooker Co.; 20783; Marine Terrace, Geraldton.
 Superior Autos; 21121; 29 Boulder Road, Kalgoorlie.
 Swansea Cycle & Motor Co.; 15617; 9 William Street, Fremantle.
 T & D Stores; 17244; Mingenew.
 Tammin Farmers Co-op.; 17123; Tammin via Cunderdin.
 Tanner, William Arthur; 20381; Railway Street, Koorda.
 Taylor, J. N. & Co. Ltd; 15621; 34 Cliff Street, Fremantle.
 Taylor, William & Co.; 20682; George Street, Pinjarra.
 Taylors Sports Pty Ltd; 20820; 143 Barrack Street, Perth, 26 London Court, Perth, 929 Hay Street, Perth.
 Templeman, Hazel Annis; 9123; Shenton Street, Menzies.
 Thobaven, Peter Henry; 19389; Hepburn Street, Mount Magnet.
 Thompson, Kenneth Barry; 20059; Duranillan via Wagin.
 Tolland, C. D. & E. H.; 20458; Karlgarin.
 Toodyay Valley Co-op. Co.; 15798; Stirling Terrace, Toodyay.
 Toone, Millicent May; 20656; Kendenup via Mount Barker.
 Totadgin Farmers Co-op.; 20714; Belka via Bruce Rock.
 Travers, Henry Harvey; 20214; Southern Cross.
 Trayning Farmers Co-op.; 18297; Twine Street, Trayning.
 Treasure, Cecil William; 20631; Parade Street, Pingelly.
 Tropical Traders Ltd; 15612; Albany; Fremantle.
 Tsakalos, James Demetrius; 19124; 32 Sholl Street, Roebourne.
 Tunney Tea Rooms; 20364; Tunney Town via Cranbrook.
 Tuppin, Bernard John; 22002; Pantapin.
 Turley, Norman Desmond; 19281; General Store and Agencies, Baandee via Kellerberrin.
 Twentyman, Thomas Glanville; 20814; 91 Tyrell Street, Nedlands.
 Union Stores Ltd; 15613; corner Henry and High Streets, Fremantle.
 Vagg, A. & D.; 21161; O'Donnell Street, Wyndham.
 Varnavides, Victor; 10794; Brockman Street, Pemberton.
 Vin's Sports Store; 20832; 174 Rokeby Road, Subiaco.
 Waddingham, A. B. & D. A. & Sons; 19688; Cowaranup via Margaret River.
 Wagin District Farmers Co-op. Ltd; 20060; Wagin.
 Waldeck, Hamlet Bruce Edward; 18867; Coorow Highway Store, Coorow.
 Walker, James Lloyd; 21221; Boyanup via Bunbury.

Waller, Leslie Douglas; 17124; Doonan Street, Tammin.
 Warburton, John William; 18548; Talbot Road, Swan View.
 Warburton Range Mission; 15689; Warburton Range Mission, via Laverton.
 Warneford, Thomas William; 19588; Lake King via Ravensthorpe.
 Waterhouse, Warren Saville; 16118; Nungarin.
 Watheroo Trading Agency; 21327; Watheroo via Moora.
 Watson, H. R. & E.; 19442; Kulin.
 Watt, D. S. & Co.; 20213; Koolyanobbing.
 Way, Francis Cecil; 18868; Marchagee via Carnamah.
 Weir, Joseph Barr; 18570; Ongerup via Gnowangerup.
 Wellington Surplus Stores; 20842; 335 Wellington Street, Perth.
 Wells, Noel; 20757; Queen Street, Busselton.
 West Dale Service Centre; 18743; West Dale via Beverley.
 Wesfarmers Stores Pty Ltd; 20818; 569 Wellington Street, Perth; Carnarvon; Carnamah; Dalwallinu; Jerramungup; Manjimup; Narembreen; Three Springs; Waroona; Ravens-thorpe.
 Westralian Farmers Ltd; 20812; 200 and 569 Wellington Street, Perth; Albany; Balingup; Bridgetown; Busselton; Esperance; Moora; Narrogin; Katanning; Bunbury; Moora.
 West Kimberley Shire Council; 19171; Locke Street, Derby.
 White, George Alan; 21163; c/o East Wyndham Supply Store.
 Wheatley, Jack Frederick; 20761; Albert Street, Busselton.
 Wialki P. O. Store; 14818; Wialki via Mukinbudin.
 Wilkinson, Alexander James; 15618; 38 High Street, Fremantle.
 Wilkinson Bros.; 14817; Shadbolt Street, Mukinbudin.
 Williams, John Henry; 2122; Shenton Street, Menzies.
 Williams, J. K. & Co.; 20510; Stewart Street, Dowerin.
 Williams, Reginald Phillip; 19715; 108 Fitzgerald Street, Northam.
 Williams, Thomas Bertram; 20333; Brunswick Junction, via Harvey.
 Williams, Walter Roland; 19373; Toolabin via Wickepin.
 Williams & Scott; 20602; Capel.
 Williams Trading & Agency Co.; 19940; Williams.
 Willis, G. & E. V.; 17174; Yalgoo.
 Wills, George & Co.; 20815; 133 Saint George's Terrace, Perth.
 Wilmot, Barry Graham John; 20823; 38 Oliver Street, Dianella.
 Wilson, Albert Rolfe; 19072; Gordon Road, Cranbrook.
 Wilson, Eleanor Rose; 19960; Austin Street, Cue.
 Wilson, John Albert; 20014; Stubbs Street, Lake Grace.
 Wilson's Saveway Store; 20238; 31 Railway Terrace, Wyalkatchem.
 Woodcock, W. J.; 18936; Northampton.
 Woollacott, W. A. & V. M.; 20239; Korrellocking.
 Woolcott, Stanley Walters; 20366; Moodiarrup via Kojonup.
 Wrights Saveway Store; 18572; Pingrup.
 Wubin Trading Co.; 20527; Wubin via Dalwallinu.
 Wundowie Trading Agency; 18680; Wundowie via Northam.
 Wunnenberg, J. H. & G. G.; 19941; 20 Burrows Street, Darkin.
 Wurarga Store; 17172; Wurarga.
 Yates, A. A. & L. D.; 21328; Koojan Downs Supply Centre, Koojan.
 Yealering Farmers Co-op. Ltd; 19371; Yealering; Wickepin.
 York District Farmers Co-op. Ltd; 17462; 138 Avon Terrace, York.
 Yornup General Store; 18222; Yornup.
 Young, Howard Lawrence; 21182; Kununurra.
 Young, Wallace Vince; 21042; Tone River Mill via Manjimup.
 Yuna Farmers Co-op. Ltd; 18939; Yuna via Northampton.

LIST OF MANUFACTURE AND REPAIR FOR 1967.

Name; Number; Address.

Alexander, Roy; 1207; Cnr Aberdeen & William Streets, Perth.
 Armstrong, Harry Pty Ltd; 1209; 201a Murray Street, Perth.
 Bowler; James Mansell; 910; 23 Charles Street, Kalgoorlie.
 Cruttenden, Archie; 1201; 68 Watson Street, Busselton.
 Dawson, A. & Son; 242; 19 Egerton Street, Narrogin.
 Gallant, Ronald Edward; 518; 156 Wittenoom Street, Boulder.
 Gibson Bros; 1149; 27 Leon Road, Dalkeith.
 Gratte, Stanley Gordon; 1351; 292 Seventh Street, Wonthella.
 Hall, Montrose William; 842; Swan Road, Mahogany Creek.
 Harris, David; 843; Great Northern Highway, Middle Swan.
 Holman, Basil Frederick; 1204; Lot 8, Third Avenue, Kelmscott.
 Holtfreter, Roy Maxwell; 326; 139 Fitzgerald Street, Northam.
 Hyder & Beatty; 1203; Bussell Highway, Busselton.
 Leech, Ronald Bruce; 733; 1 Bushell Street, Carey Park.
 Lock & Gun Co.; 1206; 88 Beaufort Street, Perth; 204 Kew Street, Kewdale.
 McCarthy, Ray John; 786; Stirling Terrace, Albany.
 McCormack, John; 732; 7 Hillcrest Avenue, Bunbury.
 Mellows, Francis W. Doughty; 1352; 199 Augustus Street, Geraldton.
 Metcalf, E. & L.; 1150; Scarborough Beach Road, Osborne Park.
 Outdoor Equipment; 1202; 201a Murray Street, Perth.
 Pascoe, William Barry; 911; 22 Campbell Street, Kalgoorlie.
 Paust & Gibson; 133; 31 High Street, Fremantle.
 Rose, Robert George; 1208; Queen Street, Busselton.
 Roy Alexander (Gunsmith); 1205; 111 Beaufort Street, Perth.
 Sharpe, Keith Upton Barber; 787; 3 Gordon Street, Albany.
 Shoemith, John Louis; 1354; Sixth Street, Bluff Point, Geraldton.
 Tough's Instrument Service Co.; 1210; 993-5 Hay Street, Perth.
 Wiltshire Bros; 1353; Fitzgerald Street, Geraldton.

LIST OF SHOOTING GALLERY LICENSES FOR 1967.

Name; Number; Address.

Lees, John; 510; Fishmarket, Marine Terrace, Fremantle.
 Mealey, John; 511; Beach Carnival, Busselton.
 Ruggiero, Gaetano; 512; 101 Frederick Street, Albany.
 Stewart, George Alfred; 513; 32 Clinton Avenue, Bentley.

FAUNA PROTECTION ACT, 1905-1954.
(Section 7.)

Department of Fisheries and Fauna,
Perth, 12th April, 1967.

F. and F. 299/52.

IT is hereby notified for general information that the Minister for Fisheries and Fauna has appointed the following persons as Honorary Warden of Fauna:—

- 628—Morgan, Anthony Eric; No. 3 Staff Cottage, Power Station, Bunbury.
 629—Cameron John; 5 Latrielle Street, Bunbury.
 630—Matthews, Peter Brian; Post Office, York.

A. J. FRASER,
Director.

GOVERNMENT LAND SALES.

THE undermentioned allotments of land will be offered for sale by public auction on the dates and at the places specified hereunder, under the provisions of the Land Act, 1933-1965, and its regulations.

JERRAMUNGUP.—

(a) 130; 1 rood 10.1 perches; \$400.

Monday 24th April, 1967, at 10.30 a.m. at the Rural and Industries Bank, Jerramungup.

(a) Building conditions—business purposes only or business and residential combined.

All improvements on the land offered for sale are the property of the Crown and shall be paid for as the Minister may direct, whose valuation shall be final and binding on the purchaser.

Plans and further particulars of this sale may be obtained from the Lands Department, Perth.

(This notice supersedes the notice appearing in the *Government Gazette* of the 7th April, 1967.)

C. R. GIBSON,
Under Secretary for Lands.

GOVERNMENT LAND SALES.

THE undermentioned allotments of land will be offered for sale by public auction on the dates and at the places specified hereunder, under the provisions of the Land Act, 1933-1965, and its regulations.

PERENJORI.—

(a) 118; 1 rood 8 perches; \$140.

(a) 119; 1 rood 8 perches; \$140.

Thursday 11th May, 1967, at 3 p.m. at the Rural and Industries Bank, Perenjori.

WYNDHAM.—

(a) 1083; 1 rood 2 perches; \$100.

(a) 1084; 1 rood 2 perches; \$100.

Wednesday 3rd May, 1967, at 2.30 p.m. at the Court House, Wyndham.

CORRIGIN.—

(b) 427; 1 rood 4.8 perches; \$440.

(b) 428; 1 rood 4.8 perches; \$440.

Monday 8th May, 1967, at 3.30 p.m. at the Rural and Industries Bank, Corrigin.

(a) Building conditions—Residential only.

(b) Building conditions—Business only.

SOUTHERN CROSS.—

(a) 535; 35 perches; \$160.

Wednesday 10th May, 1967, at 3 p.m. at the Court House, Southern Cross.

KALANNIE.—

(a) 62; 1 rood; \$70.

Tuesday 9th May, 1967, at 3.30 p.m. at the Rural and Industries Bank, Dalwallinu.

DALWALLINU.—

(a) 339; 39.3 perches; \$120.

Tuesday 9th May, 1967, at 3.30 p.m. at the Rural and Industries Bank, Dalwallinu.

WONGAN HILLS.—

(a) 394; 1 rood 11.2 perches; \$300.

Thursday 11th May, 1967, at 2 p.m. at the Court House, Wongan Hills.

MOORINE ROCK.—

(a) 16; 39.1 perches; \$60.

Wednesday 10th May, 1967, at 3 p.m. at the Court House, Southern Cross.

(a) Building conditions—Residential only.

All improvements on the land offered for sale are the property of the Crown and shall be paid for as the Minister may direct, whose valuation shall be final and binding on the purchaser.

Plans and further particulars of this sale may be obtained from the Lands Department, Perth.

C. R. GIBSON,
Under Secretary for Lands.

FORFEITURES.

THE undermentioned leases have been forfeited under the Land Act, 1933-1965, for the reasons stated.

Dated this 21st day of April, 1967.

G. R. GIBSON,
Under Secretary for Lands.

Name; Lease; District; Reason; Corres.; Plan;
Aitken, D. F.; 3116/3305; Kununurra Lot 207; non-compliance with conditions; 1159/64; Townsite.
Cooper, F.; 4546/153; Boulder Lot 811; non-payment of rent; 1688/00; Townsite.
Deegan, J.; 3116/3194; Derby Lot 628; non-payment of rent; 3137/62; Townsite.
Galbraith, R.; 3117/3861; Coolgardie Lot 10; non-payment of rent; 4446/51; Coolgardie, Sheet 1.
Hall, B. A.; 347/15686; Kent Location 1761; non-compliance with conditions; 230/64; 407/80.
Heald, D. M. and R. J.; 338/9000; Leeman Lot 71; non-payment of rent; 127/66; Townsite.
Hillier, W.; 338/9016; Kalannie Lot 10; non-payment of rent; 371/66; Townsite.
Ladyman, R. M.; 347/16429; Plantagenet Location; 6972; non-compliance with conditions; 2874/65; 457A/40.
O'Neill, D. J.; 338/9067; Jerramungup Lot 110; non-payment of rent; 803/66; Townsite.
Slater, E. D.; 3116/3274; Plantagenet Location 2370; non-payment of rent; 1470/10, V. 3.; 436D/40.

Department of Lands and Surveys,
Perth, 21st April, 1967.

IT is hereby notified for general information that the Land Board has determined that the following application for land shall be granted:—

Plantagenet Location 2544, situated about 3 miles west of Young's Siding and containing 25 acres 1 rood 30 perches, to Leslie John Bail, of 145 Lockyer Avenue, Albany, W.A.

Plantagenet Location 2546, situated about 3 miles west of Young's Siding and containing 37 acres 0 roods 20 perches, to William Cook Johnson and Marjorie Hilda Johnson, both of 113 Burgoyne Road, Albany, W.A.

Plantagenet Location 2954, situated about 3 miles southwest of Young's Siding and containing 30 acres 3 roods 19 perches, to Laurance Leo Burke, of Young's Siding, W.A.

Plantagenet Locations 7047 and 7048, situated about 1 mile north of Elleker Townsite and containing about 4.8 acres and 45 acres, respectively, to John Kennedy, of Elleker, W.A.

Nelson Location 10231, situated about 7 miles north of Walpole Townsite and containing about 303 acres, to Ignatius John Thompson, of 28 Heath Road, Kalamunda W.A. and Robert William Thompson of Gidgegannup, W.A.

Portion of Nelson Location 5033, situated $\frac{1}{2}$ mile west of Eastbrook, via Manjimup and containing 57 acres 2 roods 3 perches to be leased for grazing purposes, to William David Phillips, of Eastbrook, W.A.

Nelson Location 10442, situated about 1½ miles north of Palgarup Townsite and containing 40 acres 2 roods 15 perches, to Ross Gibellini, of Palgarup, W.A.

Serial 72—Hay and Plantagenet Locations
Owingup Locality west of Denmark.

Hay Locations:

Location 2278, to Guy Holman Kingdon and Margaret Jennett Kingdon, both of Denmark, W.A.

Location 2279, to Ronald Walter Kibblewhite and Kay Laura Kibblewhite, both of Kojonup, W.A.

Plantagenet Locations:

Location 7036, to Harry Chivas Alan Simpson and Anne Faith Louise Simpson, both of Kojonup, W.A.

Location 7037, to Charles Duncan Cameron and Imelda Grace Cameron, both of Denbarker, W.A.

Location 7038, to John Alan Sattler of "Lilydale" West Tarwonga, via Williams, W.A.

C. R. GIBSON,
Under Secretary for Lands.

LAND OPEN FOR SELECTION
Perth Land Agency

Department of Lands and Surveys,
Perth, 21st April, 1967.

It is hereby notified, for general information, that the areas scheduled hereunder are available for selection under Part V of the Land Act, 1933-1965, and the regulations appertaining thereto, subject to the provisions of the said Act.

Applications must be lodged at the Department of Lands and Surveys, Perth, not later than the date specified but may be lodged before such date if so desired.

All applications lodged on or before such date will be treated as having been received on the closing day, and if there are more applicants than one for any block, the application to be granted will be determined by the Land Board. Any lands remaining unselected will continue available until applied for or otherwise dealt with.

If a Land Board sitting becomes necessary, the applicants for the blocks will be duly notified of the date, time, and place of the meeting of the Board, and there shall be an interval of at least seven days between the closing date and the sitting of the Board.

All indigenous marketable timber, including sandalwood and mallet, is reserved to the Crown, subject to the provisions of Clause 14 of the Regulations.

OPEN ON WEDNESDAY, 31ST MAY, 1967

Locality: The locations are situated between 18 and 45 miles westward of Coorow, between 10 and 28 miles westward of Carnamah and between 15 and 20 miles westward of Three Springs. They are situated northward of the Green Head Road and the Badgingarra-Eneabba Road extends through the southern portion of the subdivision. (Classification Roll 779.)

District and Location No.	Area	Price per Acre	Plan	Corres. No.	Locality and Classification
Serial 73—	acres (about)	\$			See above.
Victoria 10831 (a) (b) (c)	4,033	0.95	91/80 C. 1	3789/66	
10832 (a) (b) (c)	4,925	0.85	91/80 C. 1, 2	"	
10833 (a) (b) (c)	3,636	1.00	"	"	
10834 (a) (b) (c)	4,181	0.95	91/80 C. 2	"	
10835 (a) (b) (c)	3,053	1.05	"	"	
10836 (a) (b) (c)	3,448	1.00	"	"	
10838 (a) (b) (c)	4,180	0.95	"	"	
10839 (a) (b) (c)	4,279	0.95	91/80 B. B. 2	"	
*10840 (a) (b) (c)	4,205	0.90	91/80 B. C. 2, 3	"	
10842 (a) (b) (c)	4,683	1.05	94/80 C. D. 4	"	
10843 (a) (b) (c)	4,022	0.90	94/80 D. 4	"	
			94/80 C. D. 4	"	
10844 (a) (b) (c)	4,361	1.00	91/80 C. D. 1,	"	
			94/80 D. 4	"	
10845 (a) (b) (c)	4,548	0.95	91/80 D. 1	"	
10846 (a) (b) (c)	4,633	1.05	"	"	
10847 (a) (b) (c)	4,464	0.90	"	"	
10848 (a) (b) (c)	3,562	0.95	"	"	
10849 (a) (b) (c)	4,375	0.90	"	"	
10850 (a) (b) (c)	4,948	0.90	91/80 D. E. 1	"	
10851 (a) (b) (c)	4,511	0.90	91/80 D. 1	"	
10852 (a) (b) (c)	3,765	1.00	91/80 D. 1, 2	"	
10853 (a) (b) (c)	4,974	0.90	91/80 D. E. 1	"	
10854 (a) (b) (c)	4,893	0.90	91/80 D. E. 2	"	
10855 (a) (b) (c)	3,840	1.05	91/80 D. 2	"	
10856 (a) (b) (c)	4,512	0.95	91/80 D. 2, 3	"	
*10857 (a) (b) (c)	4,944	0.85	91/80 D. E. 2, 3	"	
*10864 (a) (b) (c)	4,326	0.95	91/80 F. 2,	"	
			90/80 A. 2	"	
10865 (a) (b) (c)	4,255	0.95	91/80 F. 2,	"	
			90/80 A. 2	"	
10866 (a) (b) (c)	4,992	0.95	91/80 F. 2	"	
10867 (a) (b) (c)	4,922	1.00	"	"	
10868 (a) (b) (c)	4,709	1.00	91/80 E. F. 2	"	
10869 (a) (b) (c)	4,937	0.90	91/80 E. 2	"	
10870 (a) (b) (c)	4,958	0.90	"	"	
10871 (a) (b) (c)	4,748	1.00	91/80 E. 1	"	
10872 (a) (b) (c)	4,978	0.95	91/80 F. 1	"	
10873 (a) (b) (c)	4,431	0.95	91/80 F. 1, 2,	"	
			90/80 A. 1, 2	"	
10874 (a) (b) (c)	4,315	0.95	91/80 F. 1,	"	
			90/80 A. 1	"	

LAND OPEN FOR SELECTION—continued.

District and Location No.	Area	Price per Acre	Plan	Corres. No.	Locality and Classification
Serial 73—	acres (about)	\$			
Victoria 10875 (a) (b) (c)	4,973	0.90	91/80 F. 1	3789/66	
10877 (a) (b) (c)	4,952	0.90	91/80 E. 1, 2	"	
10878 (a) (b) (c)	4,843	0.90	91/80 E. 1	"	
10879 (a) (b) (c)	4,781	0.95	"	"	
10880 (a) (b) (c)	4,814	0.95	94/80 E. F. 4,	"	
			91/80 E. F. 1	"	
10882 (a) (b) (c)	4,981	0.90	94/80 F. 4	"	
10883 (a) (b) (c)	4,825	0.90	94/80 E. 4,	"	
			91/80 E. 1	"	
10884 (a) (b) (c)	4,965	0.85	94/80 D. E. 4,	"	
			91/80 D. E. 1	"	
10885 (a) (b) (c)	4,709	0.90	94/80 D. E. 4	"	
10886 (a) (b) (c)	4,759	0.90	94/80 E. 4	"	
10887 (a) (b) (c)	4,491	0.95	"	"	
10890 (a) (b) (c)	3,911	0.95	94/80 C. D. 3	"	
10891 (a) (b) (c)	3,644	0.95	94/80 D. 3	"	
10892 (a) (b) (c)	4,262	0.90	"	"	
10893 (a) (b) (c)	4,434	0.90	94/80 D. E. 3	"	
10894 (a) (b) (c)	4,152	0.90	94/80 E. 3	"	
10895 (a) (b) (c)	3,783	0.95	94/80 D. E. 2, 3	"	
10896 (a) (b) (c)	3,472	0.95	94/80 E. 2, 3	"	
10897 (a) (b) (c)	3,126	0.95	94/80 E. 2	"	
10898 (a) (b) (c)	4,232	0.95	"	"	
10900 (a) (b) (c)	4,135	0.95	94/80 F. 2	"	
10901 (a) (b) (c)	3,362	0.95	94/80 E. F. 2	"	
10903 (a) (b) (c)	4,207	0.90	94/80 C. D. 2, 3	"	
10904 (a) (b) (c)	4,831	0.90	94/80 D. 2, 3	"	
10905 (a) (b) (c)	3,982	0.95	94/80 C. D. 2	"	
10906 (a) (b) (c)	3,588	0.95	94/80 D. 2	"	
10907 (a) (b) (c)	4,642	0.90	94/80 D. 2, 3	"	
10909 (a) (b) (c)	3,783	0.95	94/80 D. E. 2	"	
10910 (a) (b) (c)	4,921	0.90	94/80 D. 2	"	
10911 (a) (b) (c)	4,443	0.95	94/80 C. D. 2	"	
10912 (a) (b) (c)	4,184	0.95	94/80 D. 1, 2	"	
10913 (a) (b) (c)	3,740	0.95	"	"	
10914 (a) (b) (c)	6,090	0.90	123/80 D. 4,	"	
			94/80 D. 1	"	

* Locations 10840, 10857 and 10864 are subject to payment for improvements, which consist of a bore, cased and capped ready for equipping.

(a) Examination of Survey.

(b) Mining conditions.

(c) Not available for selection under the provisions of Section 53 of the Land Act.

C. R. GIBSON,
Under Secretary for Lands.

RESERVES.

Department of Lands and Surveys,
Perth, 21st April, 1967.

HIS Excellency the Governor in Executive Council has been pleased to set apart as a Reserve the land described in the Schedule below for the purpose therein set forth.

Corres. 3164/66.

AVON.—No. 28525 (Recreation), Location No. 28301 (10 acres 3 roods 3 perches). (Plan 379D/40 A.4.)

Corres. 3162/66.

AVON.—No. 28526 (Gravel), Location No. 28202 (10 acres 0 roods 23 perches). (Plan 379C/40 3.4.)

Corres. 3163/66.

AVON.—No. 28527 (Gravel), Location No. 28203 (9 acres 3 roods 24 perches). (Plan 379 D/40 3.4.)

Corres. 617/61.

CANNING.—No. 28518 (Fire Station Site), Location No. 944 (1 rood). (Plan 341B/40 D.1.)

Corres. 1166/65.

BRUCE ROCK.—No. 28508 (Fire Station Site), Lot No. 187 (1 rood). (Plan Bruce Rock Townsite.)

Corres. 685/62.

KENT.—No. 28533 (Sanitary and Rubbish Disposal), Location No. 1894 (19 acres 3 roods 37 perches). (Diagram 71225, Plan 447/80 E.2.)

Corres. 203/17.

SCADDAN.—No. 28512 (Recreation), Lot No. 34 (9 acres 3 roods). (Plan Scaddan Townsite.)

Corres. 2006/58

WANDERING.—No. 28529 (Rest Room Site (C.W.A.)), Lot No. 32 (4.8 perches). (Diagram 71374, Plan Wandering Townsite.)

Corres. 9215/11.

WONGAN HILLS.—No. 28507 (Use and Requirements of the Shire of Wongan Ballidu), Lots Nos. 76, 77 and 78 (3 roods 15.1 perches). (Diagram 71488, Plan Wongan Hills Townsite.)

C. R. GIBSON,
Under Secretary for Lands.

AMENDMENTS OF RESERVES.

Department of Lands and Surveys,
Perth, 21st April, 1967.

HIS Excellency the Governor in Executive Council has been pleased to approve, under section 37 of the Land Act, 1933-1965, as follows:—

Corres. 3063/94.—Of the amendment of the boundaries of Reserve No. 511 (Kent District) "Public Purposes" to exclude the area designated as Kent Location 1894 and the road as delineated and shown coloured dark brown on Lands and Surveys Diagram No. 71225 and of its area being reduced to 1993 acres 2 roods 16 perches, accordingly. (Plan 447/80 E.2.)

Corres. 3104/62.—Of the amendment of the boundaries of Reserve No. 26636 (Carnarvon Lots 671 and 672) "Government Requirements (Medical Department)" to include Carnarvon Lots 669 and 670 and of its area being increased to 1 acre, accordingly. (Plan Carnarvon Central.)

C. R. GIBSON,
Under Secretary for Lands.

CANCELLATIONS OF RESERVES.

Department of Lands and Surveys,
Perth, 21st April, 1967.

HIS Excellency the Governor in Executive Council has been pleased to approve, under section 37 of the Land Act, 1933-1965, as follows:—

Corres. 3465/85.—Of the cancellation of Reserves Nos. 1001, 1002, 1003, 1004, 1007, 1008, 1009. (Sussex District) "Timber Concession". Plan 440/80 B.4, 441/80 C.1.)

Corres. 8190/10.—Of the cancellation of Reserve No. 13016 "Re-Afforestation". (Plan 414A/40 C.2.)

Corres. 6680/25.—Of the cancellation of Reserve No. 20073 (Campion Lots 4, 13, 21, 22, 30, 38, 29 and 46). "Excepted from Sale". (Plan Campion Townsite.)

Corres. 2827/29.—Of the cancellation of Reserve No. 20227 (Campion Lot 51) "Recreation (Tennis Courts)". (Plan Campion Townsite.)

Corres. 2813/29.—Of the cancellation of Reserve No. 20228 (Campion Lot 14) "Hallsite (Soldiers Memorial)". (Plan Campion Townsite.)

Corres. 1182/38.—Of the cancellation of Reserve No. 21885 (Campion Lot 52) "Schoolsite". (Plan Campion Townsite.)

Corres. 9215/11.—Of the cancellation of Reserve No. 23019 (Wongan Hills Lots 76, 77) "Depot for Road Board Purposes". (Plan Wongan Hills Townsite.)

C. R. GIBSON,
Under Secretary for Lands.

BUSH FIRES ACT, 1954-1965.
(Section 18.)

Restricted Burning Times—Order of Suspension.

Bush Fires Board,
West Perth, 21st April, 1967.

Corres. 56.

IT is hereby notified that the suspension is ordered of the provisions of paragraph (c) of subsection (2) of section 18 of the Act, in respect of burning of grass and stubble only in the Shire of Toodyay for the period 18th April, 1967, till the 31st May, 1967, both dates inclusive. All other provisions of the Bush Fires Act must be complied with.

This order is issued subject to the conditions that a Bush Fire Control Officer appointed by the Council, may subject to the directions, if any, of the Council, require a person or the owner or occupier of any land to take any precautions he considers necessary before lighting any fire during the period of the suspension and where a fire has already been lit, may direct that all reasonable steps be taken by the owner or occupier or person who lit the fire to extinguish the fire or to prevent the fire from spreading.

A. SUTHERLAND,
Secretary, Bush Fires Board.

BUSH FIRES ACT, 1954-1965.
(Section 18.)

Restricted Burning Times—Order of Suspension.

Bush Fires Board,
West Perth, 21st April, 1967.

Corres. 366.

IT is hereby notified that the suspension is ordered of the provisions of paragraph (c) of subsection 2 of section 18 of the Act, in respect of burning of grass and stubble only in the Shire of Narrogin for the period 1st April, 1967, to 31st May, 1967, both dates inclusive. All other provisions of the Bush Fires Act must be complied with.

This order is issued subject to the conditions that a Bush Fire Control Officer appointed by the Council, may subject to the directions, if any, of the Council, require a person or the owner or occupier of any land to take any precautions he considers necessary before lighting any fire during the period of the suspension and where a fire has already been lit, may direct that all reasonable steps be taken

by the owner or occupier or person who lit the fire to extinguish the fire or to prevent the fire from spreading.

A. SUTHERLAND,
Secretary, Bush Fires Board.

BUSH FIRES ACT, 1954-1965.
(Section 18.)

Restricted Burning Times—Order of Suspension.

Bush Fires Board,
West Perth, 21st April, 1967.

Corres. 111.

IT is hereby notified that the suspension is ordered of the provisions of paragraphs (a) (b) (c) (d) and (e), of subsection (2) of section 18 of the Act, in respect of the whole of the Shire of Capel for the period from 18th April, to the 31st May, 1967, both dates, inclusive. All other provisions of the Bush Fire Act must be complied with.

This order is issued subject to the conditions that a Bush Fire Control Officer appointed by the Council, may subject to the directions, if any, of the Council, require a person or the owner or occupier of any land to take any precautions he considers necessary before lighting any fire during the period of this suspension and where a fire has already been lit, may direct that all reasonable steps be taken by the owner or occupier or person who lit the fire to extinguish the fire or to prevent the fire from spreading.

A. SUTHERLAND,
Secretary, Bush Fires Board.

BUSH FIRES ACT, 1954-1965.
(Section 18.)

Restricted Burning Times—Order of Suspension.

Bush Fires Board,
West Perth, 21st April, 1967.

Corres. 181.

IT is hereby notified that the suspension is ordered of the provisions of paragraphs (a) (b) (c) (d) (e) (f) and (g), subsection (2) of section 18 of the Act, in respect of the whole of the Shire of Dardanup for the period from 18th April, till the 31st May, 1967, both dates inclusive. All other provisions of the Bush Fires Act must be complied with.

This order is issued subject to the conditions that a Bush Fire Control Officer appointed by the Council, may subject to the directions, if any, of the Council, require a person or the owner or occupier of any land to take any precautions he considers necessary before lighting any fire during the period of this suspension and where a fire has already been lit, may direct that all reasonable steps be taken by the owner or occupier or person who lit the fire to extinguish the fire or to prevent the fire from spreading.

A. SUTHERLAND,
Secretary, Bush Fires Board.

BUSH FIRES ACT, 1954-1965.
(Section 18.)

Restricted Burning Times—Order of Suspension.

Bush Fires Board,
West Perth, 21st April, 1967.

Corres. 466.

IT is hereby notified that the suspension is ordered of the provisions of paragraph (c), subsection (2) of section 18 of the Act, in respect of the whole of the Shire of West Arthur for the period from 18th April, to 31st May, 1967, both dates inclusive. All other provisions of the Bush Fires Act must be complied with.

This order is issued subject to the conditions that a Bush Fire Control Officer appointed by the Council, may subject to the directions, if any, of the Council, require a person or the owner or occupier of any land to take any precautions he considers necessary before lighting any fire during the period of this suspension and where a fire has

already been lit, may direct that all reasonable steps be taken by the owner or occupier or person who lit the fire to extinguish the fire or to prevent the fire from spreading.

A. SUTHERLAND,
Secretary, Bush Fires Board.

BUSH FIRES ACT, 1954-1965.
(Section 18.)

Restricted Burning Times—Order of Suspension.

Bush Fires Board,
West Perth, 21st April, 1967.

Corres. 131.

IT is hereby notified that a further suspension is ordered of the provisions of paragraphs (a) (b) (c) (d) and (e), of subsection 2 of section 18 of the Act, in respect of the whole of the Shire of Collie for the period 20th April, 1967, to the 31st May, 1967, both dates inclusive. It is also notified that the requirement to obtain a permit to burn from a Forest Officer for the portion of the Shire of Collie contained within the Fire Protected Area is suspended for a similar period. All other provisions of the Bush Fires Act must be complied with.

This order is issued subject to the conditions that a Bush Fire Control Officer appointed by the Council, may subject to the directions, if any, of the Council, require a person or the owner or occupier of any land to take any precautions he considers necessary before lighting any fire during the period of this suspension and where a fire has already been lit, may direct that all reasonable steps be taken by the owner or occupier or person who lit the fire to extinguish the fire or to prevent the fire from spreading.

A. SUTHERLAND,
Secretary, Bush Fires Board.

TOWN PLANNING AND DEVELOPMENT ACT, 1928-1965.

Advertisement of Resolution Deciding to Prepare a Town Planning Scheme.

Shire of Perth Town Planning Scheme No. 25,
Special Northern Industrial Zone.

T.P.B. 853/2/20/25.

NOTICE is hereby given that the Council of the Shire of Perth on 14th March, 1967, passed the following resolution:—

Resolved that the Council, in pursuance of section 7 of the Town Planning and Development Act, 1928 (as amended) prepare the above Town Planning Scheme with reference to an area situate wholly within the Shire of Perth and enclosed within the inner edge of a blue border on a plan now produced to the Council and marked and certified by the Shire Clerk under his hand dated the 14th day of March, 1967, as "Scheme Area Map."

and that such resolution has been approved by the Hon. Minister for Town Planning.

Dated this 14th day of April 1967.

M. K. McAULIFFE,
Acting Secretary, Town Planning Board.

TOWN PLANNING AND DEVELOPMENT ACT, 1928-1965.

Advertisement of Resolution Deciding to Prepare a Town Planning Scheme.

Ongerup Town Planning Scheme.

T.P.B. 853/5/9/5.

NOTICE is hereby given that the Council of the Shire of Gnowangerup on 15th March, 1967, passed the following resolution:—

Resolved that the Council in pursuance of Section 7 of the Town Planning and Development Act 1928 (as amended) prepare the above Town Planning Scheme with reference to an area situate wholly within the Shire of

Gnowangerup and enclosed within the inner edge of a RED border on a plan Map No. 1, now produced by the Council and marked and certified by the Shire Clerk.

and that such resolution has been approved by the Hon. Minister for Town Planning.

Dated this 14th day of April, 1967.

M. K. McAULIFFE,
Acting Secretary, Town Planning Board.

TOWN PLANNING AND DEVELOPMENT ACT, 1928-1965.

Advertisement of Resolution Deciding to Prepare a Town Planning Scheme.

Boxwood Hill Town Planning Scheme.

TPB 853/5/9/6.

NOTICE is hereby given that the Council of the Shire of Gnowangerup on 15th March, 1967, passed the following resolution:—

Resolved that the Council in pursuance of Section 7 of the Town Planning and Development Act 1928 (as amended) prepare the above Town Planning Scheme with reference to an area situate wholly within the Shire of Gnowangerup and enclosed within the inner edge of a RED border on a plan Map No. 1, now produced by the Council and marked and certified by the Shire Clerk.

and that such resolution has been approved by the Hon. Minister for Town Planning.

Dated this 14th day of April, 1967.

M. K. McAULIFFE,
(Acting Secretary, Town Planning Board).

TOWN PLANNING AND DEVELOPMENT ACT, 1928-1965.

Advertisement of Resolution deciding to Prepare a Town Planning Scheme.

Needilup Town Planning Scheme.

T.P.B. 853/5/9/3.

NOTICE is hereby given that the Council of the Shire of Gnowangerup on 15th March, 1967, passed the following resolution:—

Resolved that the Council in pursuance of section 7 of the Town Planning and Development Act, 1928 (as amended) prepare the above Town Planning Scheme with reference to an area situate wholly within the Shire of Gnowangerup and enclosed within the inner edge of a RED border on a plan Map No. 1, now produced by the Council and marked and certified by the Shire Clerk.

and that such resolution has been approved by the Hon. Minister for Town Planning.

Dated this 14th day of April, 1967.

M. K. McAULIFFE,
Acting Secretary, Town Planning Board.

TOWN PLANNING AND DEVELOPMENT ACT, 1928-1965.

Advertisement of Resolution Deciding to Prepare a Town Planning Scheme.

Borden Town Planning Scheme.

T.P.B. 853/5/9/4.

NOTICE is hereby given that the Council of the Shire of Gnowangerup on 15th March, 1967, passed the following resolution:—

Resolved that the Council in pursuance of section 7 of the Town Planning and Development Act, 1928 (as amended) prepare the above Town Planning Scheme with reference to an area situate wholly within the Shire of Gnowangerup and enclosed within the inner edge of a RED border on a plan Map No. 1, now produced by the Council and marked and certified by the Shire Clerk.

and that such resolution has been approved by the Hon. Minister for Town Planning.

Dated this 14th day of April, 1967.

M. K. McAULIFFE,
Acting Secretary, Town Planning Board.

**TOWN PLANNING AND DEVELOPMENT ACT,
1928-1965.**

Advertisement of Resolution Deciding to Prepare
a Town Planning Scheme.

Gnowangerup Town Planning Scheme.

T.P.B. 853/5/9/7.

NOTICE is hereby given that the Council of the
Shire of Gnowangerup on the 15th March, 1967,
passed the following Resolution:—

Resolved that the Council in pursuance of
Section 7 of the Town Planning and Develop-
ment Act, 1928 (as amended) prepare the
above Town Planning Scheme with reference
to an area situate wholly within the Shire of
Gnowangerup and enclosed within the inner
edge of a RED border on a plan Map No. 1,
now produced by the Council and marked and
certified by the Shire Clerk.

and that such resolution has been approved by
the Hon. Minister for Town Planning.

Dated this 14th day of April, 1967.

M. K. McAULIFFE,
Acting Secretary, Town Planning Board.

**TOWN PLANNING AND DEVELOPMENT ACT,
1928-1965.**

Notice that a Planning Scheme has been Amended
and is Available for Inspection.

Town of Bunbury Town Planning Scheme No. 3.

T.P.B. 853/6/2/7, Pt 18.

NOTICE is hereby given that the Council of the
Town of Bunbury in pursuance of its powers under
the Town Planning and Development Act, 1928-
1965, has prepared a Planning Scheme Amendment
for the purpose of rezoning lot 136, Goldwire Street
and Lot 137, Blair Street from "Residential" to
"Light Industry".

All maps, plans, descriptions and other data fully
setting out and explaining the Amendment have
been deposited at the office of the Town of Bun-
bury and at the office of the Town Planning De-
partment, Perth, and will be open for inspection
without payment of any fee by all persons affected,
between the hours of 10 a.m. and 4 p.m. on all days
of the week except Saturdays, Sundays and
Public Holidays, until and including the 21st July,
1967.

Any persons affected by the Amendment are re-
quired to set forth in writing all the objections
they may have, addressed to the Town Clerk,
Town of Bunbury, Stephen Street, Bunbury, on or
before the 21st day of July, 1967.

W. J. CARMODY,
Town Clerk.

**TOWN PLANNING AND DEVELOPMENT
ACT, 1928-1965.**

Notice that a Planning Scheme has been Amended
and is Available for Inspection.

Shire of Bayswater Town Planning Scheme.

T.P.B. 853/2/14/4, Pt. 12.

NOTICE is hereby given that the Shire of Bays-
water in pursuance of its powers under the Town
Planning and Development Act, 1928-1965, has
prepared a Planning Scheme Amendment for the
Purpose of Rezoning Lot 70 corner Lincoln Road
and McGilvary Avenue from "Residential" to
"Business."

All maps, plans, descriptions and other data fully
setting out and explaining the Amendment have
been deposited at Council Chambers, Shire of
Bayswater and at the office of the Town Planning
Department, Perth, and will be open for inspection
without payment of any fee by all persons affected,
between the hours of 10 a.m. and 4 p.m. on all
days of the week except Saturdays, Sundays and
Public Holidays, until and including the 21st July,
1967.

Any persons affected by the Amendment are
required to set forth in writing all the objections
they may have, addressed to the Shire Clerk, Shire
of Bayswater, P.O. Box 27, Bayswater, on or before
the 21st day of July, 1967.

A. A. PATERSON,
Shire Clerk.

PUBLIC WORKS DEPARTMENT.

Tenders, closing at Perth at 2.30 p.m. on the
dates mentioned hereunder, are invited for the
following works.

Tenders are to be addressed to "The Hon. Min-
ister for Works, c/o Contract Office, Public Works
Department, corner King's Park Road and Have-
lock Street, West Perth," and are to be endorsed
"Tender."

The highest, lowest, or any tender will not
necessarily be accepted.

Contract No.	Project	Closing Date	Conditions now Available at
		1967	
16415	Albany Court House—In- ternal Repairs and Ren- ovations, 1967	May 2	P.W.D., Perth P.W.D., Albany
16416	Carnarvon Hospital— Nurses' Quarters—Ad- ditions	May 9	P.W.D., Perth P.W.D., Carnarvon P.W.D., Geraldton
16417	Jardee School—Repairs and Renovations, 1967	May 2	P.W.D., Perth P.W.D.—A.D., Bun- bury Court House, Manji- mup
16418	Wiluna Agricultural Re- search Station (Lake Way Hotel)—Additional Flat Accommodation and Repairs and Ren- ovations	May 2	P.W.D., Perth P.W.D., Geraldton Police Station, Wiluna
16419	Wokalup Research Sta- tion—Repairs and Ren- ovations	May 9	P.W.D., Perth P.W.D., Bunbury Clerk of Courts, Har- vey
16420	Cunderdin Junior High School—Repairs and Renovations	May 9	P.W.D., Perth P.W.D., Northam Police Station, Cun- derdin
16421	Medina Vegetable Re- search Station—New Amenities Block	May 2	P.W.D., Perth
16422	Merredin Senior High School—Repairs and Renovations	May 9	P.W.D., Perth P.W.D., Merredin
16423	Bentley—W.A. Institute of Technology—Stage III—Main and Sub- Main Switchboards	May 2	P.W.D., Perth
16424	Bentley—W.A. Institute of Technology—Stage III—Suspended Metal Pan Ceilings	May 2	P.W.D., Perth
16425	Bentley—W.A. Institute of Technology—Stage III—Demountable Par- titions and Joinery Items	May 2	P.W.D., Perth
16426	North-West Division— Government Dwellings —Solar Hot Water In- stallation	May 16	P.W.D., Perth P.W.D., Geraldton P.W.D., Port Hed- land
16427	Wongan Hills Hospital— Regional Maintenance Officers' Quarters—New Laundry, Bathroom, Toilet, and Repairs and Renovations	May 9	P.W.D., Perth P.W.D., Northam Police Station, Won- gan Hills
16428	Wongan Hills Hospital— New External Fire Ser- vice	May 9	P.W.D., Perth P.W.D., Northam Police Station, Won- gan Hills
16429	Bunbury Regional Hos- pital—Nurses' Quarters —Mechanical Ventila- tion to Toilet Areas	May 16	P.W.D., Perth P.W.D., Bunbury
16430	Bramley School Quarters —Purchase and Re- moval	May 9	P.W.D., Perth P.W.D., Bunbury Police Station, Mar- garet River
16431	Albany—Agricultural De- partment—New Work- shop and Garage	May 16	P.W.D., Perth P.W.D., Albany
16432	Glen Forrest School—Re- pairs and Renovations	May 16	P.W.D., Perth
*16433	Nedlands Teachers' Col- lege—Aluminium Wind- ows and Doors	May 11	P.W.D., Perth
16434	Port Hedland—Harbour and Lights Department —Suspended Metal Pan Ceilings and Demount- able Partitions	May 23	P.W.D., Perth P.W.D., Port Hed- land

* Tenders close W.A. Government Tender Board 10 a.m. on above
date.

By order of the Hon. Minister for Works,

J. McCONNELL,
Under Secretary for Works.

PUBLIC WORKS DEPARTMENT

Acceptance of Tenders

Contract No.	Particulars	Contractor	Amount
16399	Cunderdin Agricultural Junior High School—Repairs and Renovations to Dormitories	G. & J. E. Sappelli	\$ 4,574
16394	Esperance Plains Research Station—Repairs and Renovations to Quarters	John Alman	7,857
16381	Muresk Agricultural College—East and West Dormitories—Repairs and Renovations	G. E. White & Son	22,390
16343	Ord Irrigation—Kununurra Power Stations—Supply and Installation of one (1) 1,000 K.W. Diesel Alternator Set complete	The English Electric Co. of Australia Pty Ltd	123,920
16385	Nedlands Teachers' Training College—Stage I—Erection	H. A. Doust Pty Ltd	1,509,779
16391	Northam—Agricultural Department—Additions and Repairs and Renovations	Martens General Building Co.	23,000
16393	Westdale Primary School—Erection	V. Ciccarelli & Co. Pty Ltd	28,400

METROPOLITAN WATER SUPPLY, SEWERAGE AND DRAINAGE BOARD.

Notice of Intention.

M.W.B. 666921/67.

NOTICE is hereby given of the intention of the Metropolitan Water Supply, Sewerage and Drainage Board to undertake the construction of the works hereinafter described by virtue of the powers contained under the provisions of the Metropolitan Water Supply, Sewerage and Drainage Act, 1909-1965.

Metropolitan Sewerage.

Belmont District.

Belmont Main Sewer—Third Section.

Description of Proposed Works.

A 21 inch diameter glazed earthenware pipe sewer encased in concrete with manholes and all other apparatus connected therewith.

The Localities in which the Proposed Works will be Constructed or Provided.

Portion of the Shire of Belmont between Alexander Street and 240 feet southeast of Fulham Street and between Acton Avenue and St. Kilda Road and as described hereunder and as shown on Plan M.W.B. No. 9715.

The Purposes for which the Proposed Works are to be Constructed or Provided.

For the disposal of sewage.

Route of the Proposed Works.

Commencing at an existing manhole No. 344 situated in Acton Avenue, 20 feet southwest of its northeastern alignment and 20 feet northwest of the southeastern alignment of Alexander Street and proceeding southeasterly along Acton Avenue 20 feet southwest of and parallel to its northeastern alignment to a point 10 feet northwesterly of the northwestern boundary of the drain reserve in lot 1103 Acton Avenue; thence southwesterly across Acton Avenue to and through the said lot 1103, 10 feet northwest of and parallel to the northwestern boundary of the said drain reserve to and across St. Kilda Road to a point 20 feet northeast of the southwestern alignment of St. Kilda Road; thence southeasterly along St. Kilda Road 20 feet northeast of and parallel to its southwestern alignment to a point 3 feet northwest of the southeastern boundary of lot 1395 Fulham Street and as shown on Plan M.W.B. 9715.

The Times when and Place at which Plans, Sections and Specifications may be Inspected.

At the office of the Metropolitan Water Supply, Sewerage and Drainage Board, corner Kings Park Road and Havelock Street, West Perth, for one month on and after the 21st day of April, 1967, between the hours of 9 a.m. and 3.30 p.m.

G. SAMUEL,
General Manager and Secretary.

BLACKWOOD REGIONAL TRAFFIC COUNCIL.

IT is hereby notified that Mr E. C. Molyneux is appointed Secretary/Manager to the Blackwood Regional Traffic Council. This appointment to take effect on the 31st March, 1967.

W. S. BAGSHAW,
Chairman.

BLACKWOOD REGIONAL TRAFFIC COUNCIL.

IT is notified that the following persons are appointed Traffic Inspectors for this district. Appointments to take effect on the 31st March, 1967:—

Mr E. C. Molyneux, Mr C. Gilbert, Mr G. A. Whyte, Mr L. G. Amey, Mr A. Cameron, and Mr D. R. Oversby.

W. S. BAGSHAW,
Chairman.

TOWN OF ALBANY.

IT is hereby notified for general information that the appointment of Mr. R. R. Unger as Town Engineer for the Town of Albany has been cancelled as from Tuesday, 18th April, 1967.

F. R. BRAND,
Town Clerk.

TOWN AND SHIRE OF ALBANY.

IT is hereby notified for general information that Robert James Taylor has been appointed Traffic Inspector for the Town and Shire of Albany as from Monday 17th April, 1967.

S. H. KNIGHT,
Mayor, Town of Albany.

B. LANGE,
President, Shire of Albany.

TOWN OF KALGOORLIE.

Appointment of Traffic Inspector.

THE Town of Kalgoorlie hereby appoints Alexander Daniel Davies, as a Traffic Inspector to the Kalgoorlie District Regional Traffic Council.

The appointment of Norman Clive Hewett is hereby cancelled.

D. R. MORRISON,
Town Clerk.

SHIRE OF LAKE GRACE.

STATEMENT OF RECEIPTS AND PAYMENTS FOR THE YEAR ENDED 30th JUNE, 1966

Receipts	
Rates	40,567.44
Licences	33,906.68
Government Grants	41,187.00
Central Road Trust Fund Grants	21,606.00
Income from Property	3,780.63
Sanitation Charges	1,081.10
Fines and Penalties	1,307.60
Cemetery Receipts	25.25
Vermin Receipts	188.95
Other Fees—Traffic Act	389.00
All Other Revenue	35,745.78
Total Receipts	\$179,735.43

Payments	
Administration—	
Staff	11,102.35
Membership	1,147.03
Debt Service	17,954.17
Public Works and Services	78,843.36
Water Supply	10.00
Health Services	1,819.62
Vermin Services	1,819.97
Bush Fire Control	539.96
Traffic Control	2,064.59
Cemeteries	25.78
Plant, Machinery and Tools	21,663.91
Operation Costs (Net)	Cr. 95.00
Payment to C.R.T.	17,049.00
Donations and Grants	90.00
All Other Expenditure	29,974.24
Total Payments	\$184,008.98

SUMMARY	
Credit Balances—	
Municipal Fund, 1st July, 1965	1,892.20
Electric Light, 1st July, 1965	10,346.87
Plus Receipts for Year	12,239.07
	179,735.43
Less Payments for Year	184,008.98
Credit Balance at 30th June, 1966	\$7,965.52
Consisting of—	
Municipal Fund	1,150.33
Electricity Undertaking	6,815.19
Total Credit as above	\$7,965.52

BALANCE SHEET AS AT 30th JUNE, 1966

Assets	
Current Assets	13,567.07
Non-current Assets	164,821.89
Deferred Assets	13,256.16
Reserve Fund Contra	9,652.69
Fixed Assets at Valuation less Depreciation	263,685.68
Electricity Undertaking Investment	40,218.84
Total Assets	\$505,202.33
Liabilities	
Current Liabilities	17,941.12
Non-current Liabilities	10,345.31
Deferred Liabilities	318,844.93
Total Liabilities	\$347,131.36
SUMMARY	
Total Assets	505,202.33
Total Liabilities	347,131.36
Municipal Accumulation Account (Surplus)	\$158,070.97

STATEMENT OF RECEIPTS AND PAYMENTS FOR THE YEAR ENDED 30th JUNE, 1966

Electricity Undertaking	
Receipts	
Sales of Current	20,543.65
Other Revenue	386.40
Government Recoup—Conversion Costs	311.68
Municipal Fund Capital Advance	336.72
Total Receipts	\$21,578.45
Payments	
Administration	1,348.79
Generation and Distribution	11,054.65
Overhead Costs	426.14
Stocks	24.74
Capital Expenditure	3,386.72
Conversion Costs	2,000.00
Loan Repayments	3,918.69
Transfer Surplus Funds to Municipal Fund	6,000.00
Total Payments	\$25,110.13
SUMMARY	
Credit Balance at 1st July, 1965	10,346.87
Plus Receipts for Year	21,578.45
	31,925.32
Less Payments for Year	25,110.13
Total	\$6,815.99

BALANCE SHEET AS AT 30th JUNE, 1966

Assets	
Current Assets	12,094.06
Fixed Assets	46,174.00
Deferred Assets	6,280.08
Total Assets	\$64,548.14
Liabilities	
Current Liabilities	1,523.00
Fixed Liabilities	40,218.84
Capital Reserve Account	22,806.30
Total Liabilities	\$64,548.14

We hereby certify that the figures and particulars as attached are correct.
AUBREY E. WRIGHT, *Shire President*.
W. COLQUHOUN, *Shire Clerk*.

I have examined the books and accounts of the Shire of Lake Grace for the year ended 30th June, 1966.

I certify that the Annual Statements mentioned above correspond with the books of accounts, vouchers and documents submitted for audit, and are, in my opinion, correct, subject to my report.
R. HAMPSON, *Government Inspector of Municipalities*.

SHIRE OF PERTH.

STATEMENT OF RECEIPTS AND PAYMENTS FOR THE YEAR ENDED 30th JUNE, 1966

Receipts	
Rates	1,233,117.33
Licences	209,090.11
Government and Other Grants and Contributions	339,129.19
C.R.T. Subsidy	347,556.00
Income from Property	26,582.89
Pounds	612.10
Sanitation and General Health Charges	184,212.38
Town Planning—Sale of Land and Contributions	77,738.48
Fines and Penalties	1,125.73
All Other Revenue	22,469.02
Sale of Assets	883.50
Refunds and Transfers	1,935.03
Total Receipts	\$2,444,451.76

Payments	
Administration—	
Staff Section	116,620.76
Members Section	8,278.52
Total	124,899.28
Debt Service	547,751.67
Public Works and Services—Streets, Roads, Bridges, etc.	768,122.29
Reserves—Construction and Maintenance	117,318.22
Buildings—Construction, Maintenance and Operating	236,068.73
Town Planning	69,451.16
Sanitation and General Health Charges	264,550.05
Bush Fire Control	908.03
Building Control	37,266.98
Plant, Machinery and Tools	52,116.12
Stores—Net	253.30
Donations and Grants	58,153.13
Land Purchases and Settlements	29,118.73
Particular Reserve Allocations	104,000.00
Balance Unexpended C.R.T. Transferred to Trust	106,569.21
Other Expenditure	2,951.40
Total Payments	\$2,519,498.30

SUMMARY	
Credit Balance at Bank, 1st July, 1965	32,732.44
Receipts as per Statement	2,444,451.76
Total	2,477,184.20
Payments as per Statement	2,519,498.30
Debit Balance at Bank, 30th June, 1966	\$42,314.10

Trust Fund Receipts	
Cash at Bank and Investments at 1st July, 1965	277,723.73
Interest on Investments	282.52
Suspense—	
Deductions	128,378.12
Refunds	12,066.05
Special Deposits	10,000.00
Prepayments	2,760.60
Unexpended C.R.T. Fund (excluding Municipal Fund)	106,569.21
Prepaid Contributions to Works	237,387.79
Total	\$775,168.02

Payments	
Deposits Applied to Leasehold Commitments	2,675.00
Suspense—	
Deductions	127,880.85
Refunds	11,833.05
Prepayments	4,772.25
Prepaid Contributions Applied to Works	173,003.84
Prepaid Contributions Refunded and Transferred	17,816.00
Unexpended C.R.T. Fund Applied to Works	97,334.56
Cash at Bank and Invested Funds at 30th June, 1966	339,852.47
Total	\$775,168.02

Loan Fund	
Credit Balance at 1st July, 1965	436,968.40
Loans Raised 1965/1966	400,000.00
Total	836,968.40
Expenditure 1965/1966	381,074.83
Credit Balance at 30th June, 1966	\$455,893.57

PARTICULAR RESERVE ACCOUNTS			
Building Line Compensation—		\$	\$
Balance 1st July, 1965	20,665.89		
<i>Add—</i>			
Allocation	10,000.00		
Interest Earned	892.28		
			31,588.17
Office Decimal Plant—			
Balance 1st July, 1965	4,075.33		
<i>Add—</i>			
Allocation	4,000.00		
Interest Earned	87.03		
<i>Less Expenditure</i>	8,162.36		
	7,987.10		175.26
Road Plant—			
Balance 1st July, 1965	30,047.07		
<i>Add—</i>			
Allocation	40,000.00		
Interest Earned	1,297.08		
<i>Less Expenditure</i>	71,344.15		
	13,370.00		57,974.15
Administration Buildings—			
Balance 1st July, 1965	48,420.58		
<i>Add—</i>			
Allocation	50,000.00		
Interest Earned	2,090.84		
<i>Less Expenditure</i>	100,511.42		
	88,506.59		12,004.83
Invested Funds at 30th June, 1966			\$101,712.41

SPECIAL OVERDRAFT ACCOUNTS			
		\$	\$
Sewerage Connections—			
Balance 1st July, 1965	6,101.18		
<i>Add—</i>			
Installation Charges	2,975.75		
Bank Charges	384.42		
<i>Less Receipts</i>	9,461.35		
	3,388.33		6,073.02
Town Planning Scheme No. 15—			
Balance 1st July, 1965	71,123.03		
<i>Add Expenditure</i>	27,051.93		
<i>Less Receipts</i>	98,174.96		
	9,737.88		88,437.08
Debit Balance at Bank 30th June, 1966			\$94,510.10

BALANCE SHEET AS AT 30th JUNE, 1966

Assets			
		\$	\$
Current Assets—			
Cash at Bank and Investments—			
Trust Funds	339,852.47		
Loan Funds	455,893.57		
Reserve Funds	101,712.41		
			897,458.45
Sundry Debtors—			
Rates	162,962.22		
Sanitation	31,527.58		
General	37,423.12		
T.P. Schemes	37,473.00		
Fines and Penalties	1,555.95		
Demolitions	333.45		
C.R.T.—Unexpended			
1965/1966 Allo-			
cation	106,569.21		
			377,844.53
Stores in Hand			7,509.01
Prepayments			436.01
Deferred Assets—			
T.D.A. Loan 122—Repayment Under-			
takings			84,545.20
Sundry Service Deposits			91.00
T.P. Schemes			87,937.08
Sewerage Connections			6,073.02
Fixed Assets (at Cost less Depreciation)—			
Freehold Land	195,666.28		
Buildings	1,511,444.39		
Furniture and Equipment	137,066.57		
Machinery and Plant	67,653.04		
Motor Vehicles	259,870.00		
Tools and Equipment	1,838.34		
			2,173,538.62
Other Assets—			
Transferred to Particular Reserve Accounts			101,712.41
Total Assets			\$3,737,145.33

Liabilities			
		\$	\$
Current Liabilities—			
Municipal Fund Overdraft			42,314.10
Special Overdraft Accounts—			
T.P. Scheme No. 15	88,437.08		
Sewerage Installations	6,073.02		
			94,510.10
Sundry Creditors			15,983.08
Trust Funds			339,852.47
Deferred Liabilities—			
Loan Liability			4,420,676.18
T.P. Schemes—Capital Account			143,242.85
Particular Reserve Accounts—			
Building Line Compensation	31,558.17		
Office Plant	175.26		
Road Plant	57,974.15		
Administration Building Extensions	12,004.83		
			101,712.41
Total Liabilities			\$5,158,291.19

SUMMARY			
		\$	\$
Total Liabilities			5,158,291.19
Total Assets			3,737,145.33
Municipal Fund Accumulation Account			\$1,421,145.86

We certify that the figures and particulars above are correct.
M. STARKE, *President.*
LOYD P. KNUCKEY, *Shire Clerk.*

I certify having examined the books and accounts of the Shire of Perth; also compared the Statements of Receipts and Payments, Working Account and Balance Sheet, also supporting statements, numbered Forms 6 to 8B inclusive and found same to be correct, in accordance with the books, accounts and documents produced.

J. S. PARROTT, *Government Inspector of Municipalities*

LOCAL GOVERNMENT ACT, 1960.

Shire of Moora.

Proposed Loan (No. 117) of \$3,000.

PURSUANT to section 610 of the Local Government Act, 1960, the Moora Shire Council hereby gives notice that it proposes to borrow money by the sale of a debenture, or debentures, on the following terms and for the following purpose: \$3,000 for 5 years at a rate of interest not exceeding six per cent. per annum, repayable at the Bank of New South Wales, Moora, by 10 equal half-yearly instalments of principal and interest. Purpose: Purchase of vehicle and equipment and construction of pole dump area (Electricity Supply).

Plans, specifications and estimates of costs as required by section 609 are open for inspection at the Office of the Council during normal office hours for 35 days after publication of this notice.

Dated this 18th day of October, 1966.

A. S. CRANE,
President.

F. B. COOPER,
Shire Clerk.

LOCAL GOVERNMENT ACT, 1960.

Shire of Belmont.

Notice of Intention to Borrow.

Proposed Loan (No. 53) of \$36,500

PURSUANT to section 610 of the Local Government Act, 1960, the Belmont Shire Council hereby gives notice that it proposes to borrow money by the sale of debentures on the following terms and for the following purposes: Thirty-six thousand five hundred dollars (\$36,500) for twenty (20) years at a rate of interest not exceeding six (6) per centum per annum, repayable by 40 equal half-yearly instalments of principal and interest at the Office of the Council, 209 Great Eastern Highway, Belmont.

Purposes:

(1) Part cost of erecting a public hall and change rooms on portion of Swan Location 33 and being Lot 278 on Plan 3245, Keane Street, Cloverdale, known as Forster Park.

(2) Site preparation and the expenses in connection with the raising of the moneys.

It is estimated that the completed cost of the buildings, including site preparation, will be \$60,000.

Plans, outline specifications, estimates and the statement required by Section 609 of the Local Government Act, 1960, are open for inspection at the Office of the Council during usual business hours for 35 days after publication of this notice.

Dated this 17th day of April, 1967.

R. F. W. CRACKNELL, J.P.,
President.

W. G. KLENK,
Shire Clerk.

LOCAL GOVERNMENT ACT, 1960.

Shire of Carnamah.

Notice of Intention to Borrow.

Proposed Loan (No. 30) of \$12,000.

PURSUANT to section 610 of the Local Government Act, 1960, the Shire of Carnamah hereby gives notice that it proposes to borrow money by the sale of debentures on the following terms and for the following purposes: \$12,000 for a period of 20 years at an interest rate not exceeding 6.125 per cent. per annum payable at the office of the Superannuation Board, Perth, by 40 equal half-yearly instalments of principal and interest. Purpose: Construction, furnishing and equipping of a house on lot 14 Newman Street, Carnamah.

Plans, specifications, estimates and the statement required by section 609 of the Local Government Act, 1960, are open for inspection at the office of the Council during business hours for 35 days after publication of this notice.

Dated this 20th day of April, 1967.

F. C. G. LUCAS,
President.

R. S. DUTCH,
Shire Clerk.

LOCAL GOVERNMENT ACT, 1960.

Quairading Shire Council.

Sale of Land for Rates.

NOTICE is hereby given that default in the payment of rates for a period of not less than three years having occurred, the Quairading Shire Council, acting under the powers conferred by Sale—Section C of Division 6 of Part XXV of the Local Government Act, 1960, will offer for sale, by Public Auction, at the Shire Office on Friday 5th May, 1967, at 3 p.m., the pieces of land specified in the schedule hereto:—

C. J. SPRAGG,
Shire Clerk.

Schedule.

Description; Street; Area; Name of Owner; Rates Outstanding; Other Charges Due on the Land.

Pt 1 of Lot 1; Parker Street; 17 perch; W. H. Jermyn; \$93.66; \$84.02.

Lot 4; Parker Street; 1 rood; D. M. Edwards; \$71.61; \$51.

Lot 139; Ashton Street; 1 acre 2 roods 8 perches; C. Prudence; \$104.78; \$119.74.

Lot 140; Ashton Street; 2 acres 2 roods 14 perches; C. Prudence; \$104.78; \$119.74.

LOCAL GOVERNMENT ACT, 1960.

Department of Local Government,
Perth, 19th April, 1967.

IT is hereby notified, for general information, in accordance with section 129 of the Local Government Act, 1960, that the following gentlemen have been elected Members of the undermentioned Municipality to fill the vacancies shown in the particulars hereunder:—

Municipality; Date of Election; Member Elected: Surname; Christian Name; Ward; Occupation; How vacancy occurred: (a) Effluxion of time; (b) Resignation; (c) Death; Name of Previous Member; Remarks.

Shire of Swan-Guildford.

*1/4/67; Squires, Kenneth George; North; business manager; (b); R. P. Cheriton; —.

* Denotes Extraordinary Election.

R. C. PAUST,
Secretary for Local Government.

LOCAL GOVERNMENT ACT, 1960.

City of Subiaco.

Closure of Private Street.

Department of Local Government,
Perth, 10th April, 1967.

L.G.D. 368/65.

NOTICE is hereby given in pursuance of the provisions of section 297A of the Local Government Act, 1960, that His Excellency the Governor has approved of the closing of the private street shown on the plan in the Schedule hereunder, in accordance with a resolution, passed by the Subiaco City Council on the 16th March, 1966, "that portion of the private street being part of lot 225 on Plan 1178, Certificate of Title Volume 75, folio 78, which runs along the Southern boundary of lot 41 Rokeby Road and the Northern boundaries of lots 39 and 40 Bagot Road be closed in accordance with the plan and that the portions be incorporated with and form part of those lots."

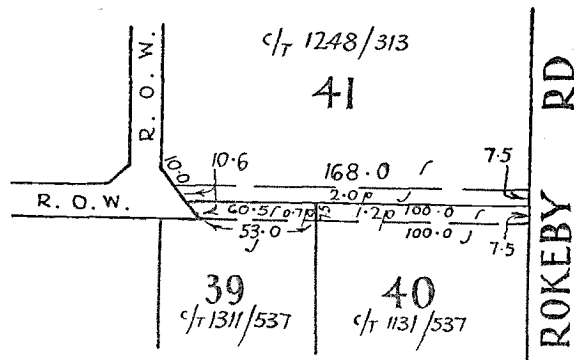
R. C. PAUST,
Secretary for Local Government.

Schedule.

City of Subiaco.

Copy of Diagram 33712.

Scale: 1 inch = 1 chain.



INDUSTRIAL ARBITRATION ACT, 1912-1966.

Department of Labour,
Perth, 5th April, 1967.

HIS Excellency the Governor in Executive Council, acting under the provisions of the Industrial Arbitration Act, 1912-1966, and on the recommendation of the Minister, has been pleased to appoint—

Robin John Slater, of 53 Beamish Avenue,
Mount Pleasant,

as an industrial inspector for the purpose of securing the observance of the provisions of that Act and of awards and agreements.

C. A. REEVE,
Secretary for Labour.

APPOINTMENT.

(Under section 6 of the Registration of Births, Deaths and Marriages Act, 1961-1965.)

Registrar General's Office,
Perth, 19th April, 1967.

R.G. No. 93/61.

IT is hereby notified, for general information, that Constable Thomas Leslie Corker has been appointed as Assistant District Registrar of Births and Deaths for the Geraldton Registry District to maintain an office at Morawa during the absence on leave of Constable J. F. Lowry. This appointment dates from 11th March, 1967.

E. J. BROWNFIELD,
Registrar General.

STATE TENDER BOARD OF WESTERN AUSTRALIA.

Tenders for Government Supplies

Date of Advertising	Schedule No.	Supplies Required	Date of Closing
1967			1967
Mar. 23	188A, 1967	Sodium Silico Fluoride Chemical, 1967/68	Apr. 27
Apr. 4	209A, 1967	8 in. Cast Iron Pipe, 1967	Apr. 27
Apr. 7	107, 1967-68	Jams, Condiment, Honey and Vinegar	Apr. 27
Apr. 11	218A, 1967	Uniforms for Sisters—R.P.H.	Apr. 27
Apr. 11	219A, 1967	Uniforms for Student Nurses—R.P.H.	Apr. 27
Apr. 11	220A, 1967	Uniform Dresses for Domestic, Ward Assistants, Kitchen and Pantry Staff—R.P.H.	Apr. 27
Apr. 11	221A, 1967	Uniforms for Nursing Aides—R.P.H.	Apr. 27
Apr. 14	223A, 1967	F.A.Q. to Prime Wheat Chaff	Apr. 27
Apr. 11	224A, 1967	4,000 gallon Water Tanker Trailer	Apr. 27
Apr. 14	232A, 1967	Pasteurised Milk—Pyrton Training Centre	Apr. 27
Apr. 14	236A, 1967	Survey Office Caravan	Apr. 27
Feb. 7	80A, 1967*†	2 only 144 MVA 13.8/142kV Step-up Transformers. Documents chargeable at \$4 first issue and \$1 each subsequent issue	May 4
Mar. 23	187A, 1967	Fluoridation Equipment	May 4
Apr. 14	222A, 1967	Acetylene Gas	May 4
Apr. 14	231A, 1967	Disposable Plates, Cups and Dishes	May 4
Apr. 14	243A, 1967	Ceramic Tiles, Stage 3, W.A. Institute of Technology	May 4
Apr. 18	244A, 1967	Kerosene Pressure Lamps	May 4
Apr. 18	245A, 1967	Salt for Water Softening Plant	May 4
Apr. 18	247A, 1967	Tyres and Tubes	May 4
Apr. 21	251A, 1967	25 per cent. Dieldrin Emulsifiable—Grasshopper Control	May 4
Apr. 14	233A, 1967†	Diesel Locomotive Wheels	May 11
Apr. 14	234A, 1967†	132kV and 66kV Outdoor Air Break Isolators for Metropolitan Transmission System. Specification No. 117T. Documents chargeable at \$2 first issue 50c subsequent issues	May 11
Apr. 18	246A, 1967	Language Laboratory Equipment	May 11
Apr. 21	248A, 1967	Typewriters, 15 in. Carriage	May 11
Apr. 18	249A, 1967†	13.8kV Alternator Stator to Stepup and Unit Transformer Cable Interconnections. Nos. 1 and 2 machines, Kwinana Generating Station. Specification No. 14K. Documents are chargeable at \$4 first issue \$1 subsequent issues	June 22
Mar. 17	172A, 1967*†	Two sets of 120,000 KW Turbo Alternators, complete with Surface Condensing Plants, Deaerators and Feed Heaters for Stages 3 and 4, Kwinana Generating Station, Specification No. 16K. Documents chargeable at \$4 for first issue and \$1 each subsequent issue	July 20
Apr. 18	250A, 1967†	Boiler Water Treatment Plant—Demineralisation and Silica Extraction Installations—Kwinana Generating Station. Specification No. 18/K. Documents chargeable at \$4 first issue \$1 subsequent issues	July 20
Apr. 7	211A, 1967*†	Steam Generating Plant—Nos. 3 and 4 Units for Stage 2 Extensions Specification 17/K. Documents chargeable at \$4 first issue and \$1 subsequent issues	Aug. 10

* Documents available from Agent General for W.A., 115 The Strand, London, W.C. 2.

† Documents available for inspection only at W.A. Government Tourist Bureau Offices, Melbourne and Sydney.

Addresses—Liaison Offices—

W.A. Government Tourist Bureau,
No. 2 Royal Arcade, Melbourne, Cl.

C/o The Manager,
W.A. Government Tourist Bureau,
22 Martin Place, Sydney.

Agent General for W.A.,
115 The Strand, London, W.C. 2.

For Sale by Tender

Date of Advertising	Schedule No.	For Sale	Date of Closing
1967			1967
Apr. 7	207A, 1967	Holden Utility (WAG 9973) at Derby (re-called)	Apr. 27
Apr. 7	212A, 1967	Bridle Draught Combine at Merredin	Apr. 27
Apr. 13	217A, 1967	Heavy and Light Drums	Apr. 27
Apr. 14	225A, 1967	Bedford 5 ton Truck (WAG 7290)	Apr. 27
Apr. 14	226A, 1967	Bedford 3 ton Truck (WAG 5951)	Apr. 27
Apr. 14	227A, 1967	Ditch Wytch Trench Cutter	Apr. 27
Apr. 14	228A, 1967	AA110 International Utility (WAG 6151)	Apr. 27
Apr. 14	229A, 1967	Secondhand Hand Tools	Apr. 27
Apr. 14	230A, 1967	Welding Plant at Albany (WAG 1630)	Apr. 27
Apr. 14	237A, 1967	1964 Model Ford Falcon, Standard Station Sedan (WAG 9726)	Apr. 27
Apr. 14	238A, 1967	1963 Model AB110 Series International Utility (WAG 7554)	Apr. 27
Apr. 14	239A, 1967	Consolidated Pneumatic Rock Drill (WAG 442)	Apr. 27
Apr. 14	240A, 1967	Atlas Copco Paving Breaker (MRD 428)	Apr. 27
Apr. 14	241A, 1967	Finsbury Pumping Plant (MRD 540)	Apr. 27
Apr. 14	242A, 1967	EH Holden Panel Van (WAG 9993) at Port Hedland	May 4
Apr. 21	253A, 1967	Concrete Vibrator (PW 358)	May 4
Apr. 21	254A, 1967	Concrete Vibrator (PW 188)	May 4
Apr. 21	258A, 1967	Motor Cycles	May 4
Apr. 21	252A, 1967	Pumping Plant (PW 130) at Derby	May 11
Apr. 21	255A, 1967	Landrover (WAG 0733) at Wyndham	May 11
Apr. 21	256A, 1967	Tallow, ex R.P.H.	May 11
Apr. 21	257A, 1967	International Utility (WAG 7982)	May 11

Tenders addressed to the Chairman, State Tender Board, 74 Murray Street, Perth, will be received for the abovementioned supplies until 10 a.m. on the dates of closing.

Tenders must be properly indorsed on envelopes otherwise they are liable to rejection.

Tender forms and full particulars may be obtained on application at the Tender Board Office, 74 Murray Street, Perth.

No Tender necessarily accepted.

STATE TENDER BOARD OF WESTERN AUSTRALIA

Accepted Tenders

Schedule No.	Contractor	Particulars	Department Concerned	Rate
948A, 1966	M. B. John & Hattersley Ltd	Supply and Delivery of Reflux Valves, as follows :— Item 1 Item 2	M.W.B.	\$1,234.50 \$3,263
34A, 1967	Simon Holman Co.	Supply and Delivery of Chlorination Equipment, as follows :— Item 1 (a) Item 2 Item 3	M.W.B.	\$1,080 each \$680 \$320
157A, 1967	Cooper Motors	Purchase and Removal of 1963 EK Holden Van (WAG 7332)	P.W.D.	\$402
152A, 1967	Barlee Motors	Purchase and Removal of 1963 Falcon Utility (WAG 7093)	do.	\$460
150A, 1967	Soltoggio Bros	Purchase and Removal of Air Conditioners as follows :— Item 1 Item 2	W.C.B.	\$214 \$214
134A, 1967	I. Atkin	Purchase and Removal of EH Holden Utility (WAG 7834)	P.W.D.	\$550
154A, 1967	Barlee Motors	Purchase and Removal of 1962 Falcon Utility (WAG 6977)	do.	\$395
153A, 1967	do.	Purchase and Removal of 1962 Falcon Utility (WAG 6562)	do.	\$390

MINING ACT, 1904.
(Regulation 180.)

Warden's Office,
Kalgoorlie, 3rd April, 1967.

TAKE notice that it is the intention of the Warden of the Goldfield or Mineral Field mentioned hereunder, on the date mentioned, to issue out of the Warden's Court an order authorising the cancellation of registration of the undermentioned Mining Tenements in accordance with Regulation 180 of the Mining Act, 1904. An order may issue in the absence of the registered holder, but should he desire to object to such order he must, before the date mentioned, lodge at the Warden's Office an objection containing the grounds of such objection, and, on the date mentioned, the Warden will proceed to hear and determine the same, in accordance with the evidence then submitted.

A. E. KAY,
Warden.

To be heard at the Warden's Court, Kalgoorlie, on Monday the 12th day of June, 1967.

No.; Name of Registered Holder; Address; Reason for Cancellation.

EAST COOLGARDIE GOLDFIELD.

East Coolgardie District.

Quarrying Areas.

- 4E—Kalgoorlie Road Board; Porter Street, Kalgoorlie; non-payment of rent and no Miner's Right.
5E—Kalgoorlie Road Board; Porter Street, Kalgoorlie; non-payment of rent and no Miner's Right.
6E—Shire of Kalgoorlie; Porter Street, Kalgoorlie; non-payment of rent and no Miner's Right.

Water Rights.

- 179E—Patroni, Olimpio; Patroni, Renato; Patroni, Guidi; Box 329, Post Office, Kalgoorlie (Somerville); non-payment of rent.

Mineral Claims.

- 39E—Dawes, Clarence Albert; c/o P.O. Box 13, Boulder; non-payment of rent.
Rowe, George Thomas; 21 Hamilton Street, Boulder; non-payment of rent.

Garden Areas.

- 185E—Passarelli, Maria; P.O. Box 271, Kalgoorlie; No Miner's Right.
187E—Firle Dairy Pty Ltd; Firle Dairy Pty Ltd, Maritana Street, Kalgoorlie (C. P. Bird & Associates); non-payment of rent.
188E—Firle Dairy Pty Ltd; Firle Dairy Pty Ltd, Maritana Street, Kalgoorlie; non-payment of rent.
189E—Patroni, Guiseppe Renato; Box 329, Post Office Kalgoorlie (Somerville); non-payment of rent.

Bulong District.

Mineral Claims.

- 15Y—Jones, Barton Cecil; c/o Hampton Hill Station, Bulong; non-payment of rent.

NORTH EAST COOLGARDIE GOLDFIELD.

Kanowna District.

Mineral Claims.

- 20X—Smith, Urwin Theodore; 6 Whitlock Street, Kalgoorlie; non-payment of rent.
Dix, Roy Albert; 6 Whitlock Street, Kalgoorlie; non-payment of rent.
21X—Smith, Urwin Theodore; 6 Whitlock Street, Kalgoorlie; non-payment of rent.
Dix, Roy Albert; 6 Whitlock Street, Kalgoorlie; non-payment of rent.
22X—Smith, Urwin Theodore; 6 Whitlock Street, Kalgoorlie; non-payment of rent.
Dix, Roy Albert; 6 Whitlock Street, Kalgoorlie; non-payment of rent.
23X—Smith, Urwin Theodore; 6 Whitlock Street, Kalgoorlie; non-payment of rent.
24X—Smith, Urwin Theodore; 6 Whitlock Street, Kalgoorlie; non-payment of rent.
Dix, Roy Albert; 6 Whitlock Street, Kalgoorlie; non-payment of rent.

Water Rights.

- 84X—Carter, Wesley Wallace; Mount Vettors Station Bardoc (private mail bag); non-payment of rent and no Miner's Right.

Garden Areas.

- 52X—Naismith, Bernard Thomas Clive; P.O. Box 206, Kalgoorlie; non-payment of rent.
57X—Taylor, George; c/o B. Naismith, P.O. Box 206, Kalgoorlie; non-payment of rent.
Taylor, Lindsay George; c/o B. Naismith, P.O. Box 206, Kalgoorlie; non-payment of rent.

Kurnalpi District.

Mineral Claims.

- 3K—Jones, Charles Barton Cecil; Hampton Hill Station, Bulong, W.A.; non-payment of rent.
 Jones, Barton Cecil; Hampton Hill Station, Bulong, W.A.; non-payment of rent.
 Jones, Robert Arthur Cecil; Hampton Hill Station, Bulong, W.A.; non-payment of rent.
 Jones, John Load Cecil; Hampton Hill Station, Bulong, W.A.; non-payment of rent.
 Jones, Burchell Francis Cecil; Hampton Hill Station, Bulong, W.A.; non-payment of rent.
- 7K—Walls, John; 382 Egan Street, Kalgoorlie; non-payment of rent.
- 8K—Jones, Charles Barton Cecil; Hampton Hill Station, Bulong, W.A.; non-payment of rent.
 Jones, Barton Cecil; Hampton Hill Station, Bulong, W.A.; non-payment of rent.
 Jones, Robert Arthur Cecil; Hampton Hill Station, Bulong, W.A.; non-payment of rent.
 Jones, John Load Cecil; Hampton Hill Station, Bulong, W.A.; non-payment of rent.
 Jones, Burchell Francis Cecil; Hampton Hill Station, Bulong, W.A.; non-payment of rent.
- 9K—Jones, Charles Barton Cecil; Hampton Hill Station, Bulong, W.A.; non-payment of rent.
 Jones, Barton Cecil; Hampton Hill Station, Bulong, W.A.; non-payment of rent.
 Jones, Robert Arthur Cecil; Hampton Hill Station, Bulong, W.A.; non-payment of rent.
 Jones, John Load Cecil; Hampton Hill Station, Bulong, W.A.; non-payment of rent.
 Jones, Burchell Francis Cecil; Hampton Hill Station, Bulong, W.A.; non-payment of rent.
- 10K—Jones, Charles Barton Cecil; Hampton Hill Station, Bulong, W.A.; non-payment of rent.
 Jones, Barton Cecil; Hampton Hill Station, Bulong, W.A.; non-payment of rent.
 Jones, Robert Arthur Cecil; Hampton Hill Station, Bulong, W.A.; non-payment of rent.
 Jones, John Load Cecil; Hampton Hill Station, Bulong, W.A.; non-payment of rent.
 Jones, Burchell Francis Cecil; Hampton Hill Station, Bulong, W.A.; non-payment of rent.
- 23K—Jones, Charles Barton Cecil; Hampton Hill Station, Bulong, W.A.; non-payment of rent.
 Jones, Barton Cecil; Hampton Hill Station, Bulong, W.A.; non-payment of rent.
 Jones, Robert Arthur Cecil; Hampton Hill Station, Bulong, W.A.; non-payment of rent.
 Jones, John Load Cecil; Hampton Hill Station, Bulong, W.A.; non-payment of rent.
 Jones, Burchell Francis Cecil; Hampton Hill Station, Bulong, W.A.; non-payment of rent.
- 24K—Jones, Charles Barton Cecil; Hampton Hill Station, Bulong, W.A.; non-payment of rent.
 Jones, Barton Cecil; Hampton Hill Station, Bulong, W.A.; non-payment of rent.
 Jones, Robert Arthur Cecil; Hampton Hill Station, Bulong, W.A.; non-payment of rent.
 Jones, John Load Cecil; Hampton Hill Station, Bulong, W.A.; non-payment of rent.
 Jones, Burchell Francis Cecil; Hampton Hill Station, Bulong, W.A.; non-payment of rent.

- 25K—Jones, Charles Barton Cecil; Hampton Hill Station, Bulong, W.A.; non-payment of rent.
 Jones, Barton Cecil; Hampton Hill Station, Bulong, W.A.; non-payment of rent.
 Jones, Robert Arthur Cecil; Hampton Hill Station, Bulong, W.A.; non-payment of rent.
 Jones, John Load Cecil; Hampton Hill Station, Bulong, W.A.; non-payment of rent.
 Jones, Burchell Francis Cecil; Hampton Hill Station, Bulong, W.A.; non-payment of rent.
 Spicer, Aubrey Murray Desmond; c/o C. B. C. Jones, Hampton Hill Station, Bulong; non-payment of rent.

BROAD ARROW GOLDFIELD.

Water Rights.

- 76W—Argus, John; Ora Banda; non-payment of rent.
 102W—Carter, Wesley Wallace; Mount Vettors Station, Bardoc (private mail bag); non-payment of rent and no Miner's Right.
 108W—Carter, Wesley Wallace; Mount Vettors Station, Bardoc (private mail bag); non-payment of rent and no Miner's Right.

Business Areas.

- 70W—Finlayson, Mattie Carveth; c/o Tower Service Station, Maritana Street, Kalgoorlie; non-payment of rent and no Miner's Right.

Mineral Claims.

- 6W—Boucher, Harold; c/o Post Office, Coolgardie; non-payment of rent.
 McMahan, Herman Gerald; 145 Boulder Road, Kalgoorlie; non-payment of rent.
 McMahan, Enid Mary; 145 Boulder Road, Kalgoorlie; non-payment of rent.

NORTH COOLGARDIE GOLDFIELD.

Menzies District.

Mineral Claims.

- 14Z—Evans, John Stewart; c/o 85 Ward Street, Kalgoorlie; non-payment of rent.
 15Z—Donovan, Alice Ellen; c/o 85 Ward Street, Kalgoorlie; non-payment of rent.
 16Z—Donovan, Robert James (jnr.); c/o 85 Ward Street, Kalgoorlie; non-payment of rent.
 17Z—Evans, Margaret Lynette; c/o 85 Ward Street, Kalgoorlie; non-payment of rent.

Water Rights.

- 386Z—Draper, Harold Ernest; Draper, Peter Harold; Draper, Brian John; Draper, Bruce Patrick; c/o Post Office, Menzies, W.A.; non-payment of rent and no Miner's Rights for H. E., B. J. and B. P. Draper.

Garden Areas.

- 67Z—Crisp, John Simpson; Esperance, W.A.; non-payment of rent and no Miner's Right.
 Crisp, Heather; Lane Cove, N.S.W.; non-payment of rent and no Miner's Right.
 Simpson, William Kenneth; Menzies, W.A.; non-payment of rent and no Miner's Right.
- 77Z—Shephard, Charles; 190 Hay Street, East Perth; non-payment of rent.

Utarring District.

Water Rights.

- 25U—Halford, William Charles; c/o P.O. Box 81, Kalgoorlie; non-payment of rent and no Miner's Right.
 Halford, Maurice Holman; c/o P.O. Box 81, Kalgoorlie; non-payment of rent and no Miner's Right.
- 39U—Halford, William Charles; c/o P.O. Box 81, Kalgoorlie; non-payment of rent and no Miner's Right.
 Halford, Maurice Holman, c/o P.O. Box 81, Kalgoorlie; non-payment of rent and no Miner's Right.

- 40U—Halford, William Charles; c/o P.O. Box 81, Kalgoorlie; non-payment of rent and no Miners' Right.
Halford, Maurice Holman; c/o P.O. Box 81, Kalgoorlie; non-payment of rent and no Miners' Right.
- 47U—Cock, William Alfred; Agnew, W.A.; non-payment of rent.
Cock, Frederick John; Agnew, W.A.; non-payment of rent.
- 50U—Cock, William Alfred; Agnew, W.A.; non-payment of rent.
Cock, Frederick John; Agnew, W.A.; non-payment of rent.
- Yerilla District.*
Mineral Claims.
- 2R—Ridd, John Studley; Menangina Station, via Kalgoorlie; non-payment of rent.
- 3R—Tonkin, Stephen John; Menangina Station, via Kalgoorlie; non-payment of rent.
- 4R—Gilmore, Ernest James; of Leonora; non-payment of rent.
Chalwell, Francis Norman; of Leonora; non-payment of rent.
- 5R—Gilmore, Ernest James; of Leonora; non-payment of rent.
Chalwell, Francis Norman; of Leonora; non-payment of rent.
- 6R—McBride, Peter Field; Gindalbie Station, via Kalgoorlie; non-payment of rent.
- 7R—McBride, Peter Field; Gindalbie Station, via Kalgoorlie; non-payment of rent.

MINING ACT, 1904.
(Regulation 180.)

Warden's Office,
Carnarvon, 29th March, 1967.

TAKE notice that it is the intention of the Warden of the Goldfield or Mineral Field mentioned hereunder, on the date mentioned, to issue out of the Warden's Court an order authorising the cancellation of registration of the undermentioned Mining Tenements in accordance with Regulation 180 of the Mining Act, 1904. An order may issue in the absence of the registered holder, but should he desire to object to such order he must, before the date mentioned, lodge at the Warden's Office an objection containing the grounds of such objection, and, on the date mentioned, the Warden will proceed to hear and determine the same, in accordance with the evidence then submitted.

H. J. RYAN,
Warden.

To be heard at the Warden's Court, Carnarvon, on Monday, the 5th day of June, 1967.

No.; Name of Registered Holder; Address; Reason for Cancellation.

ASHBURTON GOLDFIELD.
Mineral Claim.

- 2—Ibbotson, George Ross; 42 Mill Pt Road, South Perth; non-payment rent.
- 28—Ashburton Mining Co. Pty. Ltd; c/o Edwin V. Nixon & Partners, 401 Collins Street, Melbourne; non-payment rent.
- 29—Ashburton Mining Co. Pty Ltd; c/o Edwin V. Nixon & Partners, 401 Collins Street, Melbourne; non-payment rent.
- 54—Camp, Frederick John; Wonthella; non-payment rent.
Atkinson, David James; Onslow; non-payment rent.
Sheppard, Leonard Wesely; Wonthella; non-payment rent.
Camp, Stanley George; Onslow; non-payment rent.

- 55—Heinsen, Jules; Onslow; non-payment rent.
- 57—Ashburton Mining Co. Pty. Ltd; c/o Edwin V. Nixon & Partners, 401 Collins Street, Melbourne; non-payment rent.
- 58—Ashburton Mining Co. Pty. Ltd; c/o Edwin V. Nixon & Partners, 401 Collins Street, Melbourne; non-payment rent.
- 60—Roberts, Dennis; c/o V. K. Taylor, Box 96, Carnarvon; non-payment rent.
Roberts, George; c/o V. K. Taylor, Box 96, Carnarvon; non-payment rent.
Taylor, Victor Kenneth; c/o V. K. Taylor, Box 96, Carnarvon; non-payment rent.
Taylor, Dorothy Mavis; c/o V. K. Taylor, Box 96, Carnarvon; non-payment rent.
- 61—Ashburton Mining Co. Pty. Ltd; c/o Edwin V. Nixon & Partners, 401 Collins Street, Melbourne; non-payment rent.
- 66—Brindal, Allan Edmund; 47 Searle Road, Ardross; non-payment rent.
- 67—Stubbs, Kenneth William; 51 Phelp Street, Geraldton; non-payment rent.
- 68—Westfield Minerals (WA)NL; 44 St George's Terrace, Perth; non-payment rent.
- 69—Westfield Minerals (WA)NL; 44 St. George's Terrace, Perth; non-payment rent.
- 70—Westfield Minerals (WA)NL; 44 St. George's Terrace, Perth; non-payment rent.
- 71—Westfield Minerals (WA)NL; 44 St George's Terrace, Perth; non-payment rent.
- 72—Westfield Minerals (WA)NL; 44 St. George's Terrace, Perth; non-payment rent.
- 73—Garrick Agnew Pty Ltd; 167 St George's Terrace, Perth; non-payment rent.
- 74—Garrick Agnew Pty Ltd; 167 St George's Terrace, Perth; non-payment rent.
- 75—Garrick Agnew Pty Ltd; 167 St George's Terrace, Perth; non-payment rent.
- 76—Garrick Agnew Pty Ltd; 167 St George's Terrace, Perth; non-payment rent.
- 77—Garrick Agnew Pty Ltd; 167 St George's Terrace, Perth; non-payment rent.
- 78—Garrick Agnew Pty Ltd; 167 St George's Terrace, Perth; non-payment rent.
- 79—Garrick Agnew Pty Ltd; 167 St George's Terrace, Perth; non-payment rent.
- 80—Westfield Minerals (WA)NL; 44 St George's Terrace, Perth; non-payment rent.
- 81—Westfield Minerals (WA)NL; 44 St George's Terrace, Perth; non-payment rent.
- 82—Westfield Minerals (WA)NL; 44 St George's Terrace, Perth; non-payment rent.
- 83—Westfield Minerals (WA)NL; 44 St George's Terrace, Perth; non-payment rent.
- 84—Casley, Leonard George; 10 Lockhart Street, Como; non-payment rent.
Casley, George William; 4 Comer Street, Como; non-payment rent.
- 86—Brindal, Allen Edmund; 47 Searle Road, Ardross; non-payment rent.
- 87—Brindal, Allen Edmund; 47 Searle Road, Ardross; non-payment rent.
Stubbs, William Kenneth; 51 Phelp Street, Geraldton; non-payment rent.
Rose, William; Box 163, Carnarvon; non-payment rent.
- 88—Brindal, Allen Edmund; 47 Searle Road, Ardross; non-payment rent.
Stubbs, William Kenneth; 51 Phelp Street, Geraldton; non-payment rent.
Rose, William; Box 163, Carnarvon; non-payment rent.
- 89—Brindal, Allen Edmund; 47 Searle Road, Ardross; non-payment rent.
Stubbs, William Kenneth; 51 Phelp Street, Geraldton; non-payment rent.
Rose, William; Box 163, Carnarvon; non-payment rent.
- 90—Westfield Minerals (WA)NL; 44 St George's Terrace, Perth; non-payment rent.

GASCOYNE GOLDFIELD.

Mineral Claim.

- 24—Shark Bay Gypsum Pty Ltd; 167 St George's Terrace, Perth; non-payment rent.
- 25—Shark Bay Gypsum Pty Ltd; 167 St George's Terrace, Perth; non-payment rent.
- 29—Rumble Percy Robert; Mt Magnet; non-payment rent.
Rumble Robert William; Mt Magnet; non-payment rent.
- 30—Rumble Percy Robert; Mt Magnet; non-payment rent.
Rumble Robert William; Mt. Magnet; non-payment rent.
- 31—Kirwan James; Esperance; non-payment rent.
Kirwan William; Esperance; non-payment rent.
- 35—Shark Bay Gipsom Pty Ltd; 167 St George's Terrace, Perth; non payment rent.
- 36—Shark Bay Gipsom Pty Ltd; 167 St George's Terrace, Perth; non-payment rent.
- 37—Garrick Agnew Pty Ltd; 167 St. George's Terrace, Perth; non-payment rent.
- 38—Garrick Agnew Pty Ltd; 167 St George's Terrace, Perth; non-payment rent.
- 39—Garrick Agnew Pty Ltd; 167 St George's Terrace, Perth; non-payment rent.
- 40—Garrick Agnew Pty Ltd; 167 St George's Terrace, Perth; non-payment rent.
- 41—Garrick Agnew Pty Ltd; 167 St George's Terrace, Perth; non-payment rent.
- 42—Garrick Agnew Pty Ltd; 167 St George's Terrace, Perth; non-payment rent.
- 43—Garrick Agnew Pty Ltd; 167 St George's Terrace, Perth; non-payment rent.
- 44—Garrick Agnew Pty Ltd; 167 St George's Terrace, Perth; non-payment rent.
- 45—Metallic Mineral Explorations Pty Ltd; 75 King William Street, Bayswater; non-payment rent.
- 46—Metallic Mineral Explorations Pty Ltd; 75 King William Street, Bayswater; non-payment rent.
- 49—Garrick Agnew Pty Ltd; 167 St. George's Terrace, Perth; non-payment rent.
- 50—Garrick Agnew Pty Ltd; 167 St George's Terrace, Perth; non-payment rent.
- 51—Hazlett James Edward; 301 Cape Street, Tuart Hill; non-payment rent.
- 52—Metallic Minerals Explorations Pty Ltd; 75 King William Street, Bayswater; non-payment rent.
- 53—Metallic Minerals Explorations Pty Ltd; 75 King William Street, Bayswater; non-payment rent.
- 54—Higgins Desmond Roy; Lot 7 Hutchinson Street, Geraldton; non-payment rent.
Higgins Timothy Smiddy; Lot 7 Hutchinson Street, Geraldton; non-payment rent.
Higgins Marleen Edith; Lot 7 Hutchinson Street, Geraldton; non-payment rent.
- 55—Pantall Desmond Henry; 67 Caledonian Avenue, Maylands; non-payment rent.
- 56—Butler Ronald George; Mooka Station, Carnarvon; non-payment rent.
Demarz Herbert, 39 Belmont Road, Kenwick; non-payment rent.
- 57—McDonald Allan Patrick; c/- Mangaroon, Station, Carnarvon; non-payment rent.
Munns Ernest Arthur, c/- Mangaroon Station, Carnarvon; non-payment rent.

LOST DEBENTURE STOCK CERTIFICATE.

Cambridge Credit Corporation Limited.

APPLICATION has been made to the above Company to issue a new Certificate of Title to \$2,000 Unsecured Notes in lieu of Original Certificate No. A120 issued in the name of Mrs Marie Innes

Goyder of 6 May Street, Northam, Western Australia and the said Mrs Marie Innes Goyder has made a Statutory Declaration that the original Certificate of Title to the said Unsecured Notes has been lost.

Notice is hereby given that unless within twenty-one days from date hereof there is made to the Company, some claim or representation in respect of the said Original Certificate, a new Certificate will be issued in place thereof.

Dated this 18th day of April, 1967.

R. G. PETERS,
Manager for W.A.

(Registered Office: 49 St. George's Terrace, Perth, W.A.)

LIMITED PARTNERSHIPS ACT. 1909.

(Section 10.)

NOTICE is hereby given that under an arrangement entered into on the 21st day of March, 1967, Dorothy Gibson Arkley, of 413 Maida Vale Road, Newburn, of the firm of P. R. Boele van Hensbroek, J. E. Watters, R. W. Salter, D. Sanderson, J. Mackie, R. E. Wilkinson, J. L. Scott, T. P. Plotts, D. G. Arkley, R. J. Salter, carrying on business as Investors at 44 Ord Street, West Perth, has assigned her share as a limited partner in the abovenamed firm to Robert William Salter, of 15 Lawrence Street, West Perth.

Dated this 21st day of March, 1967.

P. R. BOELE VAN HENSBROEK,
General Partner.

Witness to the signature of—

R. BAKSAS,

(Mrs Raina Baksas, 59A Davies Road, Claremont, W.A.)

TRUSTEES ACT, 1962.

Notice to Creditors and Claimants.

In the matter of the Will of Patrick James Condren, late of 336A Hannan Street, Kalgoorlie, in the State of Western Australia, retired milk vendor, deceased.

ALL claims or demands against the estate of the abovenamed deceased must be sent in writing to the executors care of Tom Hartrey & Co., solicitors, Palace Chambers, Maritana Street, Kalgoorlie, before the 22nd day of May, 1967, after which date the executors will proceed to distribute the said estate having regard only to the claims and demands of which they shall then have had notice.

Dated this 14th day of April, 1967.

TOM HARTREY & CO.

TRUSTEES ACT, 1962.

Notice to Creditors and Claimants.

In the matter of the Will of Kathleen Blair Cramond, formerly of 4 Waratah Avenue, Nedlands, in the State of Western Australia and of 30 Archdeacon Street, Nedlands, aforesaid but late of 31 Browne Avenue, Dalkeith, in the said State, widow, deceased.

CREDITORS and other persons having claims (to which section 63 of the Trustees Act, 1962, relates) in respect of the estate of the abovenamed deceased who died on the 6th day of May, 1960, are required by the Executor Arthur Raynor Cramond, care of Solomon & Hammond, Solicitors, of 70 St George's Terrace, Perth, Western Australia, to send particulars of their claims to him by the 30th day of May, 1967, after which date the said Arthur

Raynor Cramond may convey or distribute the assets having regard only to the claims of which he then has notice.

Dated this 17th day of April, 1967.

(Solomon & Hammond, of 70 St George's Terrace, Perth, Solicitors for the Executors.)

TRUSTEES ACT, 1962.

Notice to Creditors and Claimants.

In the matter of the Will of Arthur Cramond, late of 4 Waratah Avenue, Dalkeith, in the State of Western Australia, retired bank official, deceased.

CREDITORS and other persons having claims (to which section 63 of the Trustees Act, 1962, relates) in respect of the estate of the abovenamed deceased who died on the 22nd day of May, 1945, are required by the surviving Executor Wilfrid James Reford Corr, care of Solomon & Hammond, Solicitors of 70 St George's Terrace, Perth, Western Australia, to send particulars of their claims to him by the 30th day of May, 1967, after which date the said Wilfrid James Reford Corr may convey or distribute the assets having regard only to the claims of which he then has notice.

Dated this 17th day of April, 1967.

(Solomon & Hammond, of 70 St George's Terrace, Perth, Solicitors for the Executors.)

TRUSTEES ACT, 1962.

Notice to Creditors and Claimants.

In the matter of the Will of Sophia Matilda Murdoch, late of Hillsden Road, Darlington, in the State of Western Australia, widow, deceased.

CREDITORS and other persons having claim (to which Section 63 of the Trustees Act, 1962, relates) in respect of the estate of the abovenamed deceased who died on the 18th day of April, 1966, are required by the Executors Thomas Raymond Murdoch, James Ernest Murdoch and Margaret Joyce Hammond, care of Solomon & Hammond, Solicitors, of 70 St. George's Terrace, Perth, Western Australia, to send particulars of their claims to them by the 30th day of May, 1967, after which date the said Thomas Raymond Murdoch, James Ernest Murdoch and Margaret Joyce Hammond, may convey or distribute the assets having regard only to the claims of which they then have notice.

Dated this 17th day of April, 1967.

(Solomon & Hammond of 70 St. George's Terrace Perth, Solicitors for the Executors.)

TRUSTEES ACT, 1962.

Notice to Creditors and Claimants.

In the matter of the Will of Ethel Sarah Smith, formerly of 183 Canning Highway, East Fremantle, in the State of Western Australia, but late of Home of Peace, Thomas Street, Subiaco, in the said State, spinster, deceased.

CREDITORS and other persons having claims (to which section 63 of the Trustees Act, 1962, relates) in . . . respect of the estate of the abovenamed deceased who died on the 27th day of July, 1961, are required by the Executors Reginald James Loudon Smith and Reginald Francis Liddell Hammond, care of Solomon & Hammond, Solicitors, 70 St George's Terrace Perth, Western Australia, to send particulars of their claims to them by the 30th day of May, 1967, after which date the said Reginald James Loudon Smith, and Reginald

Francis Liddell Hammond may convey or distribute the assets having regard only to the claims of which they then have notice.

Dated this 17th day of April, 1967.

(Solomon & Hammond of 70 St George's Terrace Perth, Solicitors for the Executors.)

TRUSTEES ACT, 1962.

Notice to Creditors and Claimants.

In the matter of the Will of Eva Rea, late of 3 Lichfield Street, Victoria Park, in the State of Western Australia, widow, deceased.

CREDITORS and other persons having claims (to which section 63 of the Trustees Act, 1962, relates) in respect of the estate of the abovenamed deceased who died on the 21st day of April, 1966, are required by the Executors Robert Ambrose Rea, and George Christopher Rea, care of Solomon & Hammond, Solicitors, of 70 St. George's Terrace, Perth, Western Australia, to send particulars of their claims to them by the 30th day of May, 1967, after which date the said Robert Ambrose Rea and George Christopher Rea may convey or distribute the assets having regard only to the claims of which they then have notice.

Dated this 17th day of April, 1967.

(Solomon & Hammond of 70 St. George's Terrace Perth, Solicitors for the Executors.)

TRUSTEES ACT, 1962.

Notice to Creditors and Claimants.

In the matter of the Will and Codicil of Doric John Selway, late of 3 Athlone Road, Floreat Park, in the State of Western Australia, retired farmer, deceased.

CREDITORS and other persons having claims (to which section 63 of the Trustees Act, 1962, relates) in respect of the estate of the abovenamed deceased who died on the 27th day of July, 1965, are required by the Executors John Brosnan and Reginald Francis Liddell Hammond, care of Solomon & Hammond, Solicitors, of 70 St George's Terrace, Perth, Western Australia, to send particulars of their claims to them by the 30th day of May, 1967, after which date the said John Brosnan and Reginald Francis Liddell Hammond may convey or distribute the assets having regard only to the claims of which they then have notice.

Dated this 17th day of April, 1967.

(Solomon & Hammond of 70 St George's Terrace, Perth, Solicitors for the Executors.)

PUBLIC TRUSTEE ACT, 1941-1964.

NOTICE is hereby given that pursuant to section 14 of the Public Trustee Act, 1941-1964, the Public Trustee has elected to administer the estates of the undermentioned deceased persons.

Dated at Perth the 17th day of April, 1967.

W. J. ROBINSON,
Public Trustee,
555 Hay Street, Perth.

Name of Deceased; Occupation; Address; Date of Death; Date Election filed.

Bowden, Edward Thomas George; yardman; late of Kalgoorlie; 26/12/66; 7/4/67.

TRUSTEES ACT, 1962.

Notice to Creditors and Claimants.

CREDITORS and other persons having claims (to which section 63 of the Trustees Act relates) in respect of the estates of the undermentioned deceased persons are required to send particulars of their claims to me on or before the respective dates shown hereunder after which dates I may convey or distribute the assets, having regard only to the claims of which I then have notice.

Dated at Perth this 17th day of April, 1967.

W. J. ROBINSON,
Public Trustee,
555 Hay Street, Perth.

Name; Address; Occupation; Date of Death.

Last Date for Claims, 21st May, 1967.

Pindi, Stumpi; late of Jigalong Mission, via Meekatharra; pensioner; 15/2/66.
Wibangari, Charlie; late of Jigalong Mission, via Meekatharra; pensioner; 12/2/67.
Atkins, Richard Wiseman; formerly of 41 Ruby Street, North Perth, but late of 30 Fourth Avenue, Bassendean; retired clerk; 27/7/66.
Moore, Aubrey Edmund, also known as Moore, Aubrey Edward; late of Sunset Home, Nedlands; pensioner; 12/6/66.
Moya, Jimmy; late Pentecoste Downs; pensioner; 30/1/67.
Carver, Frank; late of Onslow; pensioner; 10/2/67.
Foreman, Douglas Montgomery; late of 48 Arlington Avenue, South Perth; retired labourer; 16/3/67.

Last Date for Claims, 28th May, 1967.

Skuce, Charles Frederick; late of Sunset Home, Nedlands; —; 31/7/66.
Liddell, William Watson; late of 36 East Street, East Guildford; retired railway employee; 26/2/67.
Quinlan, John William; late of Sunset Home, Nedlands; retired labourer; 15/9/66.
Farrell, Nicolas; late of Exmouth Gulf; chainman; 23/10/66.
Vince, Harold; formerly of 114 Federal Road, Boulder, but late of 4 Evans Street, Boulder; sample plant operator; 27/2/67.
Michelson, Mary Margaret; late of Muntadgin Hotel, Muntadgin; widow; 28/3/67.
Perks, Vera Lily; formerly of Westfield Road, Kelmscott, and 194 Station Street, Cannington, but late of Lot 57, York Street, Augusta; widow; 4/2/67.
Payne, Edward George; late of 74 Lewis Street, Kalgoorlie; miner; 7/1/67.

LAST DATE FOR CLAIMS; 5th June, 1967.

Fleay, Robert Oakover; late of Shenton Park; retired farmer; 4/3/67.
MacDonald, Ida Otway; late of 48A Stirling Highway, Nedlands; widow; 12/11/66.
Moffat, John Conners; late of 4 Peel Street, East Guildford; van driver; 26/2/67.
Povey, George Henry; late of Flat 1, Block 5, Burtway, Adelaide Terrace, Perth; caretaker; 11/9/66.
Lodge, Dorothy Edith Rose; late of 19 Bennett Street, East Perth; married woman; July, 1962.
Kannis, Mark Theodore, also known as Kannis, Mark Theothossiou; late of 36 Clarence Street, Mount Lawley; steward; 28/1/67.
Murdock, Henry Manister; late of 47 Shakespeare Street, Mount Hawthorn; retired truck driver; 1/3/67.
Sykes, Archibald Hudson; late of 107 Second Avenue, Inglewood; Sergeant of Police; 4/8/30.
Nash, Ernest Victor; late of 13 Kalara Road, Koon-gamia; retired timber worker; 5/3/67.

Dineen, Joseph James; late of 147 Richmond Street, Leederville; retired postal clerk; 20/10/66.

Dineen, Lavinia Agnes; late of 147 Richmond Street, Leederville; widow; 13/3/67.

Hill, Thomas Benjamin; late of 111 Grant Street, Cottesloe; retired School teacher; 5/3/67.

Skeet, Lillian Maud, also known as Skeet, Lillian Maude; late of 86 Lansdowne Road, South Perth; widow; 6/3/67.

Metcalf, Kate Louise; Strettle Road, Mahogany Creek; widow; 24/2/67.

Kruger, Leslie Roy; late of 14 Battle Street, Mosman Park; retired waterside worker; 21/3/67.

Severin, Gladys Jean; late of 31 Corbett Street, Scarborough; widow; 24/2/67.

Grosche, Winifred Kerr; late of 34 Hopetoun Terrace, Shenton Park; married woman; 31/3/67.

Duncan, Mary Elizabeth; late of 33 Morrison Road, West Midland; married woman; 1/2/67.

McCabe, Beatrice; formerly of 81 Bennett Street, East Perth, but late of 8 Heyetesbury Road, Subiaco; 9/4/67.

Brierley, Edward Bowker, late of 53 Main Street, Osborne Park; labourer; 15/6/48.

Emery, Margaret Ann; late of 7 Thorogood Street, Victoria Park; widow; 1/2/67.

ACTS OF PARLIAMENT, ETC., FOR SALE AT
GOVERNMENT PRINTING OFFICE.

*In every case postage is additional to the
printed price.*

	\$
Abattoirs Act	0.20
Administration Act	0.40
Adoption of Children Act	0.15
Associations Incorporation Act and Regulations	0.20
Auctioneers Act	0.15
Bills of Sale Act	0.30
Brands Act	0.20
Bush Fires Act	0.40
Carriers Act	0.05
Child Welfare Act	0.40
Companies Act	2.00
Dairy Industry Act	0.20
Dairy Products Marketing Regulation Act	0.20
Declarations and Attestations Act	0.05
Dentists Act	0.30
Dog Act	0.20
Dried Fruits Act	0.20
Droving Act	0.15
Egg Marketing Act	0.20
Electoral Act	0.40
Electricity Act	0.30
Employment Brokers Act	0.15
Evidence Act	0.40
Factories and Shops Act	0.40
Feeding Stuffs Act	0.10
Fertilisers Act	0.15
Firearms and Guns Act	0.15
Fisheries Act	0.30
Forests Act	0.20
Fremantle Harbour Trust Act	0.30
Friendly Societies Act and Amendments	0.30
Gold Buyers Act	0.20
Hawkers and Pedlars Act	0.05
Health Act	1.00
Hire Purchase Act	0.30
Illicit Sale of Liquor Act	0.10
Industrial Arbitration Act	1.00
Inebriates Act	0.15
Infants, Guardianship of, Act	0.15
Inspection of Machinery Act with Regulations	0.40

Acts of Parliament, etc.—*continued.*

	\$
Inspection of Scaffolding Act	0.20
Interpretation Act	0.30
Irrigation and Rights in Water Act	0.30
Justices Act	0.40
Legal Practitioners Act	0.30
Land Act	0.50
Licensed Surveyors Act	0.20
Licensing Act	0.70
Limitation Act	0.20
Limited Partnerships Act	0.10
Local Government Act	2.25
Marine Stores Dealers Act	0.15
Marriage Act	0.30
Married Women's Property Act	0.10
Medical Practitioners Act	0.20
Metropolitan Water Supply, Sewerage and Drainage Act	0.40
Milk Act	0.30
Mine Workers' Relief Fund Act and Regulations	0.35
Mines Regulation Act	0.50
Money Lenders Act	0.25
Native Welfare Act	0.20
Partnership Act	0.15
Pawnbrokers Act	0.15
Pearling Act	0.30
Petroleum Act	0.35
Pharmacy Act	0.30
Prevention of Cruelty to Animals Act	0.20
Plant Diseases Act	0.20
Poisons Act	0.40
Public Service Act	0.35
Public Works Act	0.40
Purchasers' Protection Act	0.10
Sale of Goods Act	0.20
Second-hand Dealers Act	0.10
Seeds Act	0.15
Shearers' Accommodation Act	0.15
Stamp Act	0.40
State Housing Act	0.40
State Transport Co-ordination Act	0.30
State Trading Concerns Act	0.20
Superannuation and Family Benefits Act	0.40
Supreme Court Act	0.40
Timber Industry Regulation Act and Regulations	0.35
Town Planning and Development Act	0.30
Trading Stamp Act	0.20
Traffic Act	0.50
Transfer of Land Act	0.50
Truck Act	0.15
Trustee Act	0.50
Unclaimed Moneys Act	0.10
Vermin Act	0.40
Veterinary Act	0.20
Water Boards Act	0.30
Weights and Measures Act	0.30
Workers' Compensation Act	0.50

Postage Extra.

SPECIAL NOTICE.

ADVERTISEMENTS.—Notices for insertion must be received by the Government Printer at the Government Printing Office, Station Street, Wembley, or at the Main Hall, Treasury Buildings, St. George's Terrace, Perth, BEFORE TEN O'CLOCK a.m. on THURSDAY, or the day preceding the day of publication, and are charged at the following rates:—

For the first eight lines, \$1.50.

For every additional line, 15c

and half-price for each subsequent insertion.

To estimate the cost of an advertisement, count eight words to a line; heading, signature and date being reckoned as separate lines.

All fees are payable in advance. Remittances should be made by money order, postal note, or cheque.

Where signatures are appended to copy for publication in the *Government Gazette* they must appear in typewritten or block characters below the written signature. Unless this is done, no responsibility will be accepted by this office for any error in the initials or names as printed.

The office at the Treasury Buildings, Perth, will be closed each day between 1 p.m. and 1.45 p.m.

All communications should be addressed to "The Government Printer, Station Street, Wembley."

GOVERNMENT GAZETTE.

NOTICE.

Subscriptions are required to commence and terminate with a quarter.

The *Government Gazette* is published on Friday in each week, unless interfered with by public holidays or other unforeseen circumstances.

SUBSCRIPTIONS.—The subscription to the *Government Gazette* is as follows:—\$8 per annum, \$4.50 per half year, and \$2.50 per quarter, including postage. Single copies current year, 20c; previous years, up to ten years, 40c; over ten years, 70c, postage extra.

CONTENTS.

	Page.
Appointments	989, 990, 993, 1009, 1012
Bush Fires Act	1006-7
Child Welfare	993
Commissioners for Declarations	989
Commissioners of Supreme Court	989-90
Companies Act	987, 989, 1017
Crown Law Department	987, 989
Deceased Persons' Estates	1017-9
Education Department	992
Electoral	992
Fauna Protection Act	1002
Firearm Dealers for 1967	997
Fisheries	1002
Forestry	988
Health Department	993
Labour, Department of	1012
Land Agents Act	988-9
Lands Department	988, 1003-6
Legal Practitioners Act Amendment Act— Day of coming into operation	987
Licensing	990
Local Government Department	1009-12
Manufacture and Repair Licenses for Firearms	1002
Marine Collectors Licenses	993-7
Marketing of Barley Act	992
Metropolitan Water Supply, etc.	1009
Mines Department	1014-7
Municipalities	1009-12
Native Welfare	987
Orders in Council	988
Partnership Dissolved	1017
Police Department	993-1002
Proclamations	987
Public Service Commissioner	990-1
Public Trustee	1018-9
Public Works Department	1008-9
Railways	992
Registrar General	1012
Sale of Land for Non-payment of Rates	1012
Shooting Gallery Licenses	1002
Tender Board	1013-4
Tenders Accepted	1009, 1014
Tenders Invited	1008, 1013
Town Planning	1007-8
Trustees Act	1017-9
W.A. Institute of Technology	992