



Government Gazette

OF WESTERN AUSTRALIA

(Published by Authority at 12 noon)

No. 116]

PERTH: FRIDAY, 22nd DECEMBER

[1972

Fire Brigades Act Amendment Act, 1972.

PROCLAMATION

WESTERN AUSTRALIA, } By His Excellency Major-General Sir Douglas
TO WIT, } Anthony Kendrew, Knight Commander of the
DOUGLAS KENDREW, } Most Distinguished Order of Saint Michael and
Governor. } Saint George, Companion of the Most Honour-
[L.S.] } able Order of the Bath, Commander of the
Most Excellent Order of the British Empire,
Companion of the Distinguished Service Order,
Governor in and over the State of Western
Australia and its Dependencies in the Com-
monwealth of Australia.

WHEREAS it is enacted by section 2 of the Fire Brigades Act Amendment Act, 1972, that the Act shall come into operation on a date to be fixed by proclamation: Now, therefore, I, the Governor acting with the advice and consent of the Executive Council, do hereby fix the 23rd day of December, 1972 as the date on which the Fire Brigades Act Amendment Act, 1972, shall come into operation.

Given under my hand and the Public Seal of the said State at Perth, this 13th day of December, 1972.

By His Excellency's Command,
C. STUBBS,
Chief Secretary.

GOD SAVE THE QUEEN ! ! !

Property Law Act Amendment Act (No. 2), 1971.

PROCLAMATION

WESTERN AUSTRALIA, } By His Excellency Major-General Sir Douglas
TO WIT, } Anthony Kendrew, Knight Commander of the
DOUGLAS KENDREW, } Most Distinguished Order of Saint Michael and
Governor. } Saint George, Companion of the Most Honour-
[L.S.] } able Order of the Bath, Commander of the
Most Excellent Order of the British Empire,
Companion of the Distinguished Service Order,
Governor in and over the State of Western
Australia and its Dependencies in the Com-
monwealth of Australia.

WHEREAS it is enacted by section 2 of the Property Law Act Amendment Act (No. 2), 1971, that the Act shall come into operation on a date to be proclaimed: Now, therefore, I, the Governor, acting with the advice and consent of the Executive Council, do hereby fix the day on which this proclamation is published in the *Government Gazette* as the date on which the Property Law Act Amendment Act (No. 2), 1971, shall come into operation.

Given under my hand and the Public Seal of the said State, at Perth, this 13th day of December, 1972.

By His Excellency's Command,
THOMAS D. EVANS,
Attorney General.

GOD SAVE THE QUEEN ! ! !

Dentists Act Amendment Act, 1972.

PROCLAMATION

WESTERN AUSTRALIA, } By His Excellency Major-General Sir Douglas
TO WIT, } Anthony Kendrew, Knight Commander of the
DOUGLAS KENDREW, } Most Distinguished Order of Saint Michael and
Governor. } Saint George, Companion of the Most Honour-
[L.S.] } able Order of the Bath, Commander of the
Most Excellent Order of the British Empire,
Companion of the Distinguished Service Order,
Governor in and over the State of Western
Australia and its Dependencies in the Com-
monwealth of Australia.

P.H.D. 775/72; Ex Co 3757.

WHEREAS it is enacted by section 2 of the Dentists Act Amendment Act, 1972, that the Act shall come into operation on a date to be fixed by proclamation: Now, therefore, I, the Governor acting with the advice and consent of the Executive Council, do hereby fix the 1st day of January, 1973 as the date on which the Dentists Act Amendment Act, 1972, shall come into operation.

Given under my hand and the Public Seal of the said State, at Perth, this 13th day of December, 1972.

By His Excellency's Command,
RON DAVIES,
Minister for Health.

GOD SAVE THE QUEEN ! ! !

Traffic Act Amendment Act (No. 3), 1972.

PROCLAMATION

WESTERN AUSTRALIA, } By His Excellency Major-General Sir Douglas
TO WIT, } Anthony Kendrew, Knight Commander of the
DOUGLAS KENDREW, } Most Distinguished Order of Saint Michael and
Governor. } Saint George, Companion of the Most Honour-
[L.S.] } able Order of the Bath, Commander of the
Most Excellent Order of the British Empire,
Companion of the Distinguished Service Order,
Governor in and over the State of Western
Australia and its Dependencies in the Com-
monwealth of Australia.

WHEREAS it is enacted by section 2 of the Traffic Act Amendment Act (No. 3), 1972, that the Act shall come into operation on a date to be fixed by proclamation; Now, therefore, I, the Governor, acting with the advice and consent of the Executive Council, do hereby fix the day on which this proclamation is published in the *Government Gazette*, as the date on which the Traffic Act Amendment Act (No. 3), 1972, shall come into operation.

Given under my hand and the Public Seal of the said State, at Perth, this 13th day of December, 1972.

By His Excellency's Command,
J. DOLAN,
Minister for Police.

GOD SAVE THE QUEEN ! ! !

Road Closure Act, 1969.

PROCLAMATION

WESTERN AUSTRALIA, } By His Excellency Major-General Sir Douglas
TO WIT, } Anthony Kendrew, Knight Commander of the
DOUGLAS KENDREW, } Most Distinguished Order of Saint Michael and
Governor. } Saint George, Companion of the Most Honourable
[L.S.] } Order of the Bath, Commander of the
Most Excellent Order of the British Empire,
Companion of the Distinguished Service Order,
Governor in and over the State of Western
Australia and its Dependencies in the Com-
monwealth of Australia.

WHEREAS by subsection (1) of section 2 of the Road Closure Act, 1969, it is provided, *inter alia*, that the portion of the public road known as Mount Street in the City of Perth that is referred to in that subsection may be closed by proclamation: Now, therefore I, the Governor, acting with the advice and consent of the Executive Council, do hereby close that portion of the public road known as Mount Street in the City of Perth that is referred to in subsection (1) of section 2 of the Road Closure Act, 1969, as from seven o'clock in the forenoon on the 27th day of December, 1972.

Given under my hand and the Public Seal of the said State, at Perth, this 13th day of December, 1972.

By His Excellency's Command,

H. D. EVANS,
Minister for Lands.

GOD SAVE THE QUEEN !!!

Local Government Act, 1960-1971.

Shire of Upper Gascoyne.

PROCLAMATION

WESTERN AUSTRALIA, } By His Excellency Major-General Sir Douglas
TO WIT, } Anthony Kendrew, Knight Commander of the
DOUGLAS KENDREW, } Most Distinguished Order of Saint Michael and
Governor. } Saint George, Companion of the Most Honourable
[L.S.] } Order of the Bath, Commander of the
Most Excellent Order of the British Empire,
Companion of the Distinguished Service Order,
Governor in and over the State of Western
Australia and its Dependencies in the Com-
monwealth of Australia.

L.G. 323/65.

WHEREAS it is enacted by subsection (3) of section 36 of the Local Government Act, 1960-1971, that where the Governor is of the opinion that on account of economic or seasonal conditions it is desirable that the operations of subsections (1) and (2) of section 36 should be suspended, he may, from time to time, by proclamation, suspend their operation in such districts and for such periods as are specified in the proclamation and may by subsequent proclamation revoke or vary the proclamation; and whereas the Governor is of the opinion that it is desirable on account of seasonal and economic conditions to further suspend the operation of subsections (1) and (2) of section 36 which were suspended for the period ending on 31st December, 1972, by proclamation dated the 12th day of January, 1972, in the district of the Municipality of the Shire of Upper Gascoyne: Now, therefore, His Excellency the Governor, acting with the advice and consent of the Executive Council, doth hereby vary the said proclamation and further suspend the operation of subsections (1) and (2) of section 36 of the Act, in the district of the Municipality of the Shire of Upper Gascoyne for a period commencing on the 1st day of January, 1973 and ending on 31st December, 1973.

Given under my hand and the Public Seal of the said State at Perth, this 13th day of December, 1972.

By His Excellency's Command,
C. STUBBS,
Minister for Local Government.

GOD SAVE THE QUEEN !!!

Western Australian Tertiary Education Commission Act Amendment Act, 1972.

PROCLAMATION

WESTERN AUSTRALIA, } By His Excellency Major-General Sir Douglas
TO WIT, } Anthony Kendrew, Knight Commander of the
DOUGLAS KENDREW, } Most Distinguished Order of Saint Michael and
Governor. } Saint George, Companion of the Most Honourable
[L.S.] } Order of the Bath, Commander of the
Most Excellent Order of the British Empire,
Companion of the Distinguished Service Order,
Governor in and over the State of Western
Australia and its Dependencies in the Com-
monwealth of Australia.

WHEREAS it is enacted by section 2 of the Western Australian Tertiary Education Commission Act Amendment Act, 1972, that the Act shall come into operation on a date to be proclaimed: Now, therefore, I, the Governor, acting with the advice and consent of the Executive Council, do hereby fix the 12th day of January, 1973, as the date on which the Western Australian Tertiary Education Commission Act Amendment Act, 1972, shall come into operation.

Given under my hand and the Public Seal of the said State, at Perth, this 13th day of December, 1972.

By His Excellency's Command,

THOMAS D. EVANS,
Minister for Education.

GOD SAVE THE QUEEN !!!

Teacher Education Act, 1972.

PROCLAMATION

WESTERN AUSTRALIA, } By His Excellency Major-General Sir Douglas
TO WIT, } Anthony Kendrew, Knight Commander of the
DOUGLAS KENDREW, } Most Distinguished Order of Saint Michael and
Governor. } Saint George, Companion of the Most Honourable
[L.S.] } Order of the Bath, Commander of the
Most Excellent Order of the British Empire,
Companion of the Distinguished Service Order,
Governor in and over the State of Western
Australia and its Dependencies in the Com-
monwealth of Australia.

WHEREAS it is enacted by section 2 of the Teacher Education Act, 1972, that the Act shall come into operation on a date to be proclaimed: Now, therefore, I, the Governor, acting with the advice and consent of the Executive Council, do hereby fix the 12th day of January, 1973, as the date on which the Teacher Education Act, 1972, shall come into operation.

Given under my hand and the Public Seal of the said State, at Perth, this 13th day of December, 1972.

By His Excellency's Command,

THOMAS D. EVANS,
Minister for Education.

GOD SAVE THE QUEEN !!!

Plant Diseases Act, 1914-1969.

PROCLAMATION

WESTERN AUSTRALIA, } By His Excellency Major-General Sir Douglas
TO WIT, } Anthony Kendrew, Knight Commander of the
DOUGLAS KENDREW, } Most Distinguished Order of Saint Michael and
Governor. } Saint George, Companion of the Most Honourable
[L.S.] } Order of the Bath, Commander of the
Most Excellent Order of the British Empire,
Companion of the Distinguished Service Order,
Governor in and over the State of Western
Australia and its Dependencies in the Com-
monwealth of Australia.

WHEREAS under the provisions of the Plant Diseases Act, 1914-1969 it is enacted, *inter alia* the Governor may by proclamation—

- (a) revoke any proclamation made under the Act; and
- (b) prohibit, either absolutely, or except in accordance with regulations the bringing or sending into any specified portion of the State from the rest of the State generally or from any specified portion thereof, of any specified kind of plant, fruit, or other thing which would in his opinion introduce any disease into the specified portion thereof;

and whereas, I, the Governor am of the opinion that the bringing or sending into the portion of the State specified as Area No. 2 and described in the Schedule hereto, from the rest of the State generally, of fruit of any kind whatsoever, would introduce the disease of fruit fly into that portion: Now, therefore, I, the Governor, acting with the advice and consent of Executive Council and in exercise of the powers conferred by the Plant Diseases Act, 1914-1969, do by this proclamation—

- (a) revoke the proclamation made under that Act on the 18th March, 1970, and published in the *Government Gazette* on the 3rd April, 1970; and
- (b) prohibit, except in accordance with the Plant Diseases (Fruit Movement) Regulations, 1970, the bringing or sending into the portion of the State specified as Area No. 2 and described in the Schedule hereto, from the rest of the State generally, of fruit of any kind whatsoever.

Given under my hand and the Public Seal of the State, at Perth, this 13th day of December, 1972.

By His Excellency's Command,

H. D. EVANS,
Minister for Agriculture.

GOD SAVE THE QUEEN ! ! !

Schedule.

Area No. 2.

All that portion of land bounded by lines starting at a point on the Low Water Mark of the Indian Ocean at 32 degrees 50 minutes South Latitude and extending east along that parallel to the 116 degree 25 minutes meridian of East Longitude; thence southeasterly to Kwobrup Trigonometrical Station (33 degrees 46 minutes 4 seconds South Latitude and 117 degrees 57 minutes 16 seconds East Longitude); thence southeasterly to the intersection of the Right Bank of the Cordinup River with the Low Water Mark of the Southern Ocean and thence generally westerly along that Low Water Mark and generally northerly along the Low Water Mark of the Indian Ocean aforesaid to the starting point.

AT a meeting of the Executive Council held in the Executive Council Chambers at Perth this 13th day of December, 1972, the following Orders in Council were authorised to be issued:—

Land Act, 1933-1971.

ORDERS IN COUNCIL.

WHEREAS by section 33 of the Land Act, 1933, it is made lawful for the Governor to direct that any Reserve shall vest in and be held by any Municipality, Body Corporate, or other person or persons to be named in the order in trust for the like or other public purposes to be specified in such order; and whereas it is deemed expedient, as follows:—

Corres. 8393/06.—That Reserve No. 10448 should vest in and be held by the Minister for Education in trust for the purpose of "Educational Purposes."

Corres. 1234/09.—That Reserve No. 11757 should vest in and be held by the Minister for Education in trust for the purpose of "Educational Purposes".

Corres. 2460/09.—That Reserve No. 12028, 12029, 12030 and 12031 should vest in and be held by the Minister of Water Supplies, Sewerage and Drainage in trust for the purpose of "Water".

Corres. 7260/08.—That Reserve No. 12066 should vest in and be held by the Minister for Education in trust for the purpose of "Schoolsite".

Corres. 12849/97.—That Reserve No. 13214 should vest in and be held by the Minister for Education in trust for the purpose of "Schoolsite".

Corres. 141/22.—That Reserve No. 18145 should vest in and be held by the Minister for Education in trust for the purpose of "Schoolsite".

Corres. 4659/27.—That Reserve No. 19376 should vest in and be held by the Minister of Water Supply, Sewerage and Drainage in trust for the purpose of "Water".

(The previous Order in Council dated the 15th August, 1928 is hereby superseded.)

Corres. 1416/28.—That Reserve No. 19902 should vest in and be held by the Minister for Education in trust for the purpose of "Schoolsite".

Corres. 518/62.—That Reserve No. 27070 should vest in and be held by the Shire of Mandurah in trust for the purpose of Recreation.

Corres. 4673/65.—That Reserve No. 31019 should vest in and be held by the Shire of Mandurah in trust for the purpose of Recreation.

Corres. 1948/72.—That Reserve No. 31723 should vest in and be held by the Shire of Coolgardie in trust for the purpose of Pedestrian Access and Recreation.

Corres. 2039/72.—That Reserve No. 31725 should vest in and be held by the Shire of Wyndham-East Kimberley in trust for the purpose of Vehicle Parking.

Now, therefore, His Excellency the Governor, by and with the advice and consent of the Executive Council, doth hereby direct that the beforementioned Reserves shall vest in and be held by the abovementioned bodies, in trust for the purposes aforesaid, subject nevertheless to the powers reserved to him by section 37 of the said Act.

W. S. LONNIE,
Clerk of the Council.

Land Act, 1933-1971.

ORDERS IN COUNCIL.

WHEREAS by section 33 of the Land Act, 1933-1971, it is *inter alia*, made lawful for the Governor by Order in Council, to direct that any land reserved pursuant to the provisions of this Act shall be granted in fee simple to any person (as defined in the said section) subject to the condition that the person shall not lease or mortgage the whole or any part of the land without the consent of the Governor and subject to such other conditions and limitations as the Governor shall deem necessary to ensure that the land is used for the purpose for which the land is reserved as aforesaid; and whereas it is deemed expedient, as follows:—

Corres. 1057/72.—That Reserve No. 31622 (Laver-ton Lot 80) should, subject as aforesaid be granted in fee simple to the Western Australian Fire Brigades Board to be held in trust for "Fire Station Site".

Corres. 1066/72.—That Reserve No. 31716 (Wellington Location 5079) should subject as aforesaid be granted in fee simple to the Collie Golf Club Incorporated to be held in trust for "Golf Club-House".

Now, therefore, His Excellency the Governor by and with the advice and consent of the Executive Council doth hereby direct that the beforementioned reserves shall be granted in fee simple to the aforesaid bodies, to be held in trust for the aforesaid purposes, subject to the condition that the land shall not be leased or mortgaged in whole or in part without the consent of the Governor.

W. S. LONNIE,
Clerk of the Council.

Forests Act, 1918.

ORDER IN COUNCIL.

Forests File 127/71; Lands File 152/08 V3.

WHEREAS by the Forests Act, 1918, it is provided that the Governor may by Order in Council declare any Crown Lands as Timber Reserves within the meaning and for the purposes of that Act: Now, therefore, His Excellency the Governor with the advice and consent of the Executive Council doth hereby declare the area described in the schedule hereto shall be set apart as Timber Reserve No. 186/25 within the meaning and for the purposes of the said Act.

W. S. LONNIE,
Clerk of the Council.

Schedule.

Nelson Location 13081. Area: About 47 hectares. (Public Plan 438A/40.)

Country Areas Water Supply Act, 1947-1964.

Ledge Point Water Supply.

ORDER IN COUNCIL.

P.W.W.S. 12/71.

WHEREAS by the Country Areas Water Supply Act, 1947-1964, it is provided that before undertaking construction of water works the Minister shall submit plans, descriptions, books of reference and estimates of the proposed works to the Governor for approval; and that if they are approved the Governor may forthwith by Order in Council empower the Minister to undertake construction of the proposed works: Now, therefore His Excellency the Governor by and with the consent of the Executive Council doth hereby approve of the plans, descriptions, books of reference and estimates marked on plan P.W.D., W.A. 46417-1-1 for the construction of the Ledge Point Water Supply and hereby empowers the Minister to undertake the construction of the said works.

W. S. LONNIE,
Clerk of the Council.

Country Towns Sewerage Act, 1948-1967.

Mandurah Sewerage.

Reticulation Area No. 1; No. 1 Pumping Station and Rising Main; and Waste Water Treatment Works.

ORDER IN COUNCIL.

P.W.W.S. 114/72.

HIS Excellency the Governor in Executive Council, acting pursuant to the powers conferred by the Country Towns Sewerage Act, 1948-1967, has been pleased—

- (1) to approve of the Minister for Water Supply, Sewerage and Drainage undertaking the construction of the works described in the First and Second Schedules hereunder; and
- (2) to exempt the works from the provisions of sections 12, 13, 14, 15 and 16 of the Act.

W. S. LONNIE,
Clerk of the Council.

Schedules.

First Schedule.

Construction of reticulation sewers along amended routes in that part of Reticulation Area No. 1 bounded by Gibson Street, Sholl Street, Pinjarra Road and the eastern shoreline of the entrance to Peel Inlet as shown on Plan P.W.D., W.A. 47202-2-3 in lieu of the routes previously shown on Plan P.W.D., W.A. 47259-1-1 and described in the *Government Gazette* dated 16th June, 1972, page 1926.

Second Schedule.

Construction of No. 1 Rising Main along a partly amended route in Mandurah Terrace, Fremantle Road and Road No. 1859 as shown on Plan P.W.D., W.A. 47201-2-2 in lieu of the route previously shown on Plan P.W.D., W.A. 47259-1-2 and described in the *Government Gazette* dated 16th June, 1972, page 1926.

Water Supply, Sewerage and Drainage Act,
1912-1950.

Land Drainage Act, 1925-1954.

West Harvey Drainage District.

Meredith Main Drain Extension and Meredith Main Drain Sub D.

ORDER IN COUNCIL.

P.W.W.S. 1020/68.

WHEREAS by the Land Drainage Act, 1925-1954 it is provided that before undertaking the construction of drainage works, the Minister shall submit plans, descriptions, books of reference and estimates of the proposed works to the Governor for

approval; and that if they are approved, the Governor may forthwith by Order in Council empower the Minister to undertake the construction of the proposed works; Now, therefore, His Excellency the Governor with the advice of the Executive Council doth hereby approve of the plans, descriptions, books of reference and estimates marked on Plan P.W.D., W.A. 47150-1-1 for the construction of drainage works within the West Harvey Drainage District which were duly submitted for approval, and hereby empowers the Minister to undertake the construction of the said works.

W. S. LONNIE,
Clerk of the Council.

Metropolitan Water Supply, Sewerage, and Drainage Act, 1909-1972.

Metropolitan Sewerage.

ORDER IN COUNCIL.

M.W.B. 673761/72.

WHEREAS by the Metropolitan Water Supply, Sewerage, and Drainage Act, 1909-1972, it is provided that, subject to the provisions of the Act, the Metropolitan Water Supply, Sewerage and Drainage Board shall, with the approval of the Governor, have power to construct provide and extend Water Works, Sewerage Works and Metropolitan Main Drainage Works; and whereas the preliminary requirements of the said Act have been complied with and plans sections and estimates in respect of the works hereinafter mentioned have been submitted to and approved by the Governor in Council: Now, therefore, His Excellency the Governor by and with the advice and consent of the Executive Council, does hereby empower the Metropolitan Water Supply, Sewerage and Drainage Board to undertake the construction of the following works under the said Act, namely:—

Applecross District.

Reticulation Area No. 8C.

The construction of nine-inch, six-inch and four-inch diameter reticulation pipe sewers together with manholes and all other apparatus connected therewith, and shown on plan M.W.B. 11450.

This Order in Council shall take effect from the 22nd day of December, 1972.

W. S. LONNIE,
Clerk of the Executive Council.

Local Government Act, 1960-1971.

Shire of Gosnells.

Change of Status.

ORDER IN COUNCIL.

L.G. 553/72.

WHEREAS it is, *inter alia*, provided by subsection (2) of section 12 of the Local Government Act, 1960-1971, that the Governor by Order made after the effective presentation to him of a petition bearing the common seal of each municipality which will be directly affected by the Order may declare a shire to be a town; and whereas it is, *inter alia* provided by subsection (1) of section 10 of the said Act that where the district of a town is divided into wards, on the petition of the council, the Governor may, if he thinks the circumstances referred to in the petition warrant it, determine that the number of councillors for any ward may be more or less than three and the number of councillors for each ward need not be equal; and whereas it is, *inter alia*, provided by subsection (1) of section 20 of the said Act, that when the Governor exercises a power conferred by section 12 of the said Act, the Governor having regard to the provisions of this Act relating to the number of offices of member of a council, by Order may order, settle, adjust and finally determine such rights, liabilities, questions and matters relating to the representation of electors on the council of the municipality so affected, the constitution of the council, the audit of the municipal accounts and such other matters as he thinks necessary to be ordered, settled, adjusted or determined,

and in such manner as he thinks fit; and whereas thirteen councillors, including the President, constitute the Council of the Shire of Gosnells the district of which is divided into four wards called Canning Vale, Gosnells, Kenwick and Maddington that are respectively represented by three, four, three and three councillors; and whereas that shire being the only municipality which will be directly affected by this Order has made an effective presentation to the Governor of a petition, bearing the common seal of the municipality, praying for the Governor to declare the shire a town and also praying for the Governor to determine that the number of councillors for any ward of the town may be more or less than three and the number of councillors for each ward need not be equal: Now, therefore, His Excellency the Governor, acting with the advice and consent of the Executive Council, doth hereby—

- (1) declare the Shire of Gosnells to be a town under the name of the Town of Gosnells;
- (2) order that in the municipality of the Town of Gosnells the wards, the constitution of the council, the representation of electors on the council, the date of retirement of councillors, and the system of audit of the municipal accounts shall be the same as they are in the municipality of the Shire of Gosnells immediately before this Order takes effect;
- (3) order that the persons who are, immediately before this Order takes effect, the President and Deputy President, respectively, of the Shire of Gosnells shall be the Mayor and Deputy Mayor respectively, of the Town of Gosnells for such time as they would, but for his Order, have been president and deputy president respectively;
- (4) direct that this Order shall take effect on and from the 1st July, 1973.

W. S. LONNIE,
Clerk of the Council.

Local Government Act, 1960-1971.

Shire of Hall's Creek.
ORDER IN COUNCIL.

L.G. 148/63.

WHEREAS by subsection (3) of section 35 of the Local Government Act, 1960-1971, it is provided that the Governor may, at the written request of the Council of any district, by order direct that that subsection shall apply to its districts; and whereas the Council of the municipal district of the Shire of Hall's Creek has so requested: Now, therefore, His Excellency the Governor, acting with the advice and consent of the Executive Council, doth hereby direct that subsection (3) of section 35 of the Local Government Act, 1960-1971, shall apply to the municipal district of the Shire of Hall's Creek.

W. S. LONNIE,
Clerk of the Council.

Local Government Act, 1960-1972.

ORDER IN COUNCIL.

L.G. 785/64.

WHEREAS it is provided, *inter alia*, by subsection (2) of section 691 of the Local Government Act, 1960-1972 that power given by that Act to make Orders includes power from time to time to revoke or vary those Orders; and whereas, His Excellency the Governor—

- (a) by Order made on the 10th May, 1961 and published in the *Government Gazette* on the 19th May, 1961, transferred from the City of Perth Municipal District to the Perth Road District the land described in Schedule "A" to that Order and transferred from the Perth Road District to the City of Perth Municipal District the land described in Schedule "B" to that Order; and

- (b) by Order made on the 6th September, 1972 and published in the *Government Gazette* on the 15th September, 1972, rectified errors occurring in the description of the land transferred from the City of Perth Municipal District to the Perth Road District;

And whereas there were errors in each of the Orders occurring in the description of the land transferred from the City of Perth Municipal District to the Perth Road District and in the description rectifying the description of the land transferred: Now, therefore, His Excellency the Governor acting with the advice and consent of Executive Council and in exercise of the powers conferred by subsection (2) of section 691 of the Act, does hereby—

- (a) revoke the Order made on the 6th September, 1972 and published in the *Government Gazette* on the 15th September, 1972; and
- (b) vary the Order made on the 10th May, 1961 and published in the *Government Gazette* on the 19th May, 1961 by substituting for "Schedule "A" " a schedule as follows:—

Schedule "A".

All that portion of land bounded by lines starting at the intersection of the eastern side of Brompton Road with the northern side of Empire Avenue, a point on a present common boundary of the Cities of Perth and Stirling and extending easterly along that common boundary to a point situate in prolongation northerly of the eastern boundary of Swan Location 1911; thence southerly 30.18 metres to the present northeastern corner of that location; thence westerly along the northern boundary of that location to a point situate in prolongation southerly of the eastern side of Brompton Road aforesaid and thence northerly 30.18 metres along that prolongation to the starting point. (Lands and Surveys Public Plans P-169-4, P-185-4.)

W. S. LONNIE,
Clerk of the Council.

Local Government Act, 1960-1971.

Wongan-Ballidu Shire Council.

Alteration of Wards and Holding of Election.

ORDER IN COUNCIL.

L.G. 733/60.

WHEREAS it is provided in subsection 3 (a) of section 12 of the Local Government Act, 1960-1971, that the Governor, by Order which may be made without a Petition may alter the boundaries of or abolish wholly or in part wards existing in a district and create new wards in a district; and whereas it is further provided in subsection (1) of section 20 of the said Act that upon the exercise of a power conferred by section 12, the Governor may direct who, if any, of the members whose district is affected by the exercise of the power shall go out of office, and when, and may direct the holding on a day appointed by the Order of an election of such members so affected; and whereas the municipality of the Shire of Wongan-Ballidu has resolved and requested that the boundary of the Damboring Ward shall be altered by the severance of a portion therefrom to form a new Ward to be known as the West Kondut Ward, the remaining portion of the existing Ward to be in future known as the Damboring Ward with one Councillor allocated to each of the two wards resulting from the alteration; and whereas it is considered desirable that the request of the municipality should be granted. Now, therefore, His Excellency the Governor, acting by and with the advice and consent of the Executive Council, doth hereby—

- (a) alter the boundaries of the Damboring Ward and create a new Ward to the end that there shall be instead of the Damboring Ward, two Wards as set forth in the Schedule hereto, each represented by one Councillor;

(b) direct that the councillors at present representing the Damboring Ward shall go out of office on the fourth Saturday, 26th May, 1973 and that an election shall be held on that day to return one member each for the Damboring and West Kondut Wards.

W. S. LONNIE,
Clerk of the Council.

Technical Description.

Proposed West Kondut Ward—Shire of Wongan-Ballidu.

Corres. 2527/71.

All that portion of land bounded by lines starting at a point on a western boundary of the Shire of Wongan-Ballidu situate in prolongation westerly of the northern boundary of Melbourne Location 3205 and extending easterly to and along that boundary and onward to its intersection with the prolongation northerly of its easternmost eastern boundary; thence southerly to and along that eastern boundary to a point on the northernmost northern boundary of Location 3054; thence easterly along that boundary and the northern boundary of Location 3252 and onward to a point on the western boundary of Location 1098; thence southerly along that boundary and onward to the northwestern corner of the eastern severance of Location 3021; thence easterly along the northern boundary of that severance and onward to and generally easterly along the northern boundary of Locations 3076 and 3077 to the northernmost northeastern corner of the lastmentioned location; thence easterly to and easterly along the northern boundary of Locations 1861, 1942 and 445 to the northwestern corner of the western severance of Location 125, a point on a western boundary of the Kondut Ward; thence generally southerly along that boundary to a north-eastern corner of the Lake Hinds Ward; thence generally westerly along the northern boundary of that ward to a point on a western boundary of the Shire of Wongan-Ballidu aforesaid and thence northerly along that boundary to the starting point.

The Damboring Ward is hereby reduced.

(Lands and Surveys Public Plan 57/80.)

Premier's Department,
Perth, 15th December, 1972.

IT is hereby notified for public information that His Excellency the Governor has approved of the following temporary allocation of portfolios during the absence from the State of Hon. R. H. C. Stubbs, M.L.C. from Friday, 15th December, 1972 to Tuesday, 23rd January, 1973:—

The Hon. Alexander Donald Taylor, B.A., M.L.A.
to be Acting Minister for Local Government and Chief Secretary.

W. S. LONNIE,
Under Secretary,
Premier's Department.

Premier's Department,
Perth, 19th December, 1972.

IT is hereby notified for public information that His Excellency the Governor has approved of the following temporary allocation of portfolio during the absence from duty of Hon. T. D. Evans, M.L.A. from 23rd December, 1972 to, and inclusive of, 14th January, 1973:—

Hon. Donald George May, M.L.A. to be Acting Minister for Education.

W. S. LONNIE,
Under Secretary,
Premier's Department.

MUSEUM ACT, 1969.

Premier's Department,
Perth, 14th December, 1972.

HIS Excellency the Governor in Executive Council, acting under the provisions of subsection (3) of section 30 of the Museum Act, 1969, has approved the sale by The Western Australian Museum of land described as Lot 39 Ledge Point (formerly Reserve No. 28880) vested in The Western Australian Museum pursuant to section 29 of the Act, and the transfer of the land to the purchaser free of encumbrance.

W. S. LONNIE,
Under Secretary.

AUDIT ACT, 1904.

(Section 33.)

The Treasury,
Perth, 15th December, 1972.

IT is hereby published for general information that Mr. V. K. Coombs of the Forests Department has been appointed as an authorising officer as from 22nd November, 1972.

K. J. TOWNSING,
Under Treasurer.

STAMP ACT, 1921-1972.

State Taxation Department,
Perth, 15th December, 1972.

State Tax. 186/71.

IT is hereby published for general information that Senior Constable Edmund Robert Crawford, No. 3178, Officer in Charge of Police, Margaret River Police Station, has been appointed a person authorised to cancel stamps as from 11th December, 1972.

J. R. EWING,
Commissioner of State Taxation.

LAND AGENTS ACT, 1921.

Application for Transfer of a License.

To the Court of Petty Sessions at Fremantle:

I, ROBERT JAMES CARRUTHERS CLARK, of 70 Petra Street, Palmyra, hereby apply as nominee of Clark Barnett & Hounam Pty. Ltd., for the licence currently issued to Robert James Carruthers Clark, as nominee of Wavcop Ltd., to be transferred to me to carry on business as a Land Agent at 17 Belmont Avenue, Belmont.

Dated the 29th day of November, 1972.

R. J. C. CLARK,
Signature of Applicant (Transferee).

I, Robert James Carruthers Clark, concur in this application.

R. J. C. CLARK,
Signature of Transferor.

Appointment of Hearing.

I hereby appoint the 16th day of January, 1973, at 2.15 o'clock in the afternoon as the time for the hearing of the foregoing application at the Court of Petty Sessions at Perth.

Dated the 29th day of November, 1972.

T. MURPHY,
Clerk of Petty Sessions.

Objection to the granting of the license may be served on the applicant and the Clerk of Petty Sessions at any time prior to seven days before the date appointed for the hearing.

Public Service Board,
Perth, 19th December, 1972.

THE following promotions have been approved:—

P. J. Allen, Typist, C-V to be Typist, C-III-1, Brands and Clerical Branch, Animal Division, Department of Agriculture, as from November 17, 1972.

L. E. Freeman, Clerk, C-II-2, Companies Registration Office, Crown Law Department, to be Relief Officer, C-II-2, Relief Section, Maintenance and Relief Branch, Department for Community Welfare, as from November 3, 1972.

R. R. Ambrose, Clerk of Courts (Relieving), C-II-3/4, Inspecting and Relieving Clerk of Courts Section, to be Clerk of Courts, C-II-4/5, Roebourne, Court Offices Branch, Crown Law Department, as from December 1, 1972.

M. C. Cocker, Clerk of Courts (Relieving), C-II-3/4, Inspecting and Relieving Clerk of Courts Section, to be Clerk of Courts, C-II-4/5, Broome, Court Offices Branch, Crown Law Department, as from December 1, 1972.

D. N. Enston, Clerk, C-II-2, Clerical Section, to be Clerk, C-II-3, Probate Office, Supreme Court, Crown Law Department, as from November 3, 1972.

L. H. Merritt, Clerk of Courts (Relieving), C-II-3/4, Inspecting and Relieving Clerk of Courts Section, to be Clerk of Courts, C-II-4/5, Wyndham, Court Offices Branch, Crown Law Department, as from December 1, 1972.

K. W. Parsons, Clerk, C-II-2, Local Court Perth, to be Clerk of Courts (Relieving), C-II-3/4, Inspecting and Relieving Clerk of Courts Section, Court Offices Branch, Crown Law Department, as from December 1, 1972.

J. A. Spurling, Registrar Tuart Hill, C-II-2, Senior High Schools Branch, Education Department, to be Clerk (Listings), C-II-2/3, Court of Petty Sessions, Court Offices Branch, Crown Law Department, as from August 25, 1972.

J. Marinovich, Clerk, C-IV, to be Clerk, C-II-1, Staff Section, Clerical Branch, Education Department, as from December 1, 1972.

T. W. Barrett, Clerk, C-II-1, Roads Section, Roads and Reserves Branch, Department of Lands and Surveys, to be Registrar, C-II-2, Electoral Department, as from December 8, 1972.

P. D. Mosel, Inspector, Grade 3, Mandurah, G-VII-1/3, to be Inspector, Grade 2, G-II-1, Seagoing Shark Bay, Fisheries Inspection Branch, Department of Fisheries and Fauna, as from August 25, 1972.

G. N. Hillman, Clerk, C-IV, Registration and Deeds Branch, to be Clerk, C-II-1, Reserves and General Section, Roads and Reserves Branch, Department of Lands and Surveys, as from November 17, 1972.

S. P. R. Taylor, Clerk, C-IV, Conveyancing Branch, Crown Law Department, to be Clerk, C-II-1, Records Section, Clerical Branch, Department of Lands and Surveys, as from November 10, 1972.

W. W. Vickery, Clerk in Charge, C-II-7, Applications and Inspections Branch, to be Clerk in Charge, C-II-8, Roads and Reserves Branch, Department of Lands and Surveys, as from November 24, 1972.

R. H. Martin, Clerk Relieving, C-II-1, General Section, Clerical Branch, to be Clerk, C-II-2, Market Depot, Accounts Branch, Medical Department, as from October 20, 1972.

C. B. Ellies, Clerk, C-II-2, Clerical Section, Graylands and Swanborne Hospitals Branch, to be Clerk (Superintendent), C-II-3, Graylands Hospital, Mental Health Services, as from November 24, 1972.

R. C. Zehnder, Inspector, Grade 1, G-II-6, to be Senior Inspector, G-II-7, General Section, Inspection Health Act Branch, Public Health Department, as from November 3, 1972.

P. J. A. Rothwell, Senior Clerk, C-II-6, Land Section, to be Officer in Charge, C-II-10, Land and Securities Branch, State Housing Commission, as from November 17, 1972.

D. E. Barton, Research Officer, Grade 2, C-II-5/6, Research Section, Research and Budgeting Branch, to be Actuarial Officer, C-II-10, Superannuation Board, Treasury Department, as from December 8, 1972.

R. E. Carleton, Clerk, C-II-3, Industries, Investigations and Accounts Branch, Division of Industries, Department of Development and Decentralisation, to be Research Officer, Grade 2, C-II-5/6, Research Section, Research and Budgeting Branch, Treasury Department, as from October 27, 1972.

H. K. Peppinck, Typist, C-V, Officers Attached, Department of Agriculture, to be Secretary Stenographer, C-III-1, Administrative Branch, Government Printing Office, Treasury Department, as from December 1, 1972.

N. W. Yeates, Tourist Officer, C-II-1, Tourist Bureau Adelaide, to be Senior Tourist Officer, C-II-2, Tourist Bureau Perth, Tourist Services Branch, Tourist Development Authority, as from November 3, 1972.

THE following resignations have been accepted:—

Name; Department; Date.

P. R. Barham; Agriculture; 12/12/72.
B. C. Finney; Agriculture; 29/12/72.
D. Mann; Agriculture; 29/12/72.
D. C. Woodward; Agriculture; 8/12/72.
I. McHenry; Community Welfare; 8/12/72.
M. K. Bullen; Education; 19/1/73.
D. M. Kickett; Education; 22/12/72.
L. K. Taylor; Education; 15/12/72.
P. D. Goerke; Fisheries and Fauna; 29/12/72.
T. G. Johns; Fisheries and Fauna; 2/11/72.
V. K. Prince; Fisheries and Fauna; 14/12/72.
M. K. Bracken; Forests; 5/1/73.
G. Hazell; Labour; 22/12/72.
B. D. Rose; Lands and Surveys; 22/12/72.
C. I. Ayling; Medical; 8/12/72.
C. Grant; Mental Health Services; 1/12/72.
H. M. Mitchell; Mental Health Services; 22/12/72.
M. Borecki; Police; 30/11/72.
R. Leed; Public Health; 4/1/73.
K. R. Lowth; Public Health; 8/12/72.
J. T. Hillis; Public Works; 28/11/72.
J. E. Marsh; State Housing; 23/8/72.
W. A. D. Bailey; State Taxation; 18/1/73.
D. J. Bradley; Treasury; 22/12/72.
K. J. Williams; Treasury; 5/1/73.
M. Andre; Town Planning; 3/1/73.

THE following appointments have been confirmed:—

Name; Position; Department; Date.

Northover, Peter Bruce; Clerk, C-IV; Aboriginal Affairs Planning Authority; 20/4/72.
Brodie-Hall, Charles Douglas; Field Assistant, G-VI; Agriculture; 28/2/72.
De Glanville, Janelle; Library Assistant, Level 1; Agriculture; 12/6/72.
Sceats, Lynnette Ann; Clerk Typist, C-V; Agriculture; 20/5/71.
Forsyth, Jeannette; Social Worker, Level 3; Community Welfare; 10/3/72.
Underwood, Jeanette Anne; Social Worker, Level 2; Community Welfare; 1/3/72.
Pemberton, Doreen Mary; Social Worker, Level 2; Crown Law; 15/3/71.
Tippett, Stephanie Mary; Assistant, G-IX; Crown Law; 27/3/72.
Healy, Robyn Rae; Typist, C-V; Development and Decentralisation; 9/6/72.
Whinfield, Pamela Anne; Assistant, G-IX; Education; 29/6/72.
Howard, Eula Mary; Assistant, G-IX; Government Stores; 13/7/72.
Spyvee, Judith Lorraine; Assistant, G-IX; Government Stores; 31/7/72.
Kengen, Janet Marisa; Assistant, G-IX; Lands and Surveys; 18/5/72.
Jones, Christopher Millar; Clerk, C-IV; Medical; 11/1/72.

Perrozzi, Carlo Phillip; Clerk, C-IV; Medical; 9/2/72.
 Robinson, John; Technical Officer, G-II-1/2; Metropolitan Water Supply Board; 16/6/72.
 Vanderhoek, Hugo; Clerk, C-IV; Metropolitan Water Supply Board; 12/6/72.
 Roberts, Elaine Edith; Assistant, G-IX; Police; 15/5/72.
 Bolton, Neil Don; Inspector, Grade 3, G-II-2/3; Public Health; 24/4/72.
 Brenton-Rule, Helen Mary; Laboratory Technologist, Level 1; Public Health; 11/5/72.
 Manning, Rae Winifred; Laboratory Attendant, G-XIII; Public Health; 1/5/72.
 Steer, Julie-Anne; Laboratory Attendant, G-XIII; Public Health; 21/4/72.
 Carmody, Jennifer Robyn; Typist, C-V; Public Works; 23/2/72.
 Van Der Wal, Frederick; Assistant District Officer, G-II-2/3; Public Works; 7/7/72.
 Loxley, Steven Victor; Clerk, C-IV; State Government Insurance Office; 17/7/72.
 Tozer, Philip Reginald; Clerk, C-IV; State Housing; 24/5/72.
 Roberts, Gail Annette; Typist, C-V; Tourist Development Authority; 16/5/72.
 Koorengevel, Diana; Assistant, G-IX; Tourist Development Authority; 19/5/72.
 Hey, Julie Edna; Typist, C-V; Town Planning; 26/6/72.

THE following offices have been created:—

Item 01 3915, Inspector Grade 2, G-II-1/2, Inspection Services Branch, Horticulture Division, Department of Agriculture.
 Item 05 0310, Farm Manager, G-II-2/3, Wooroloo, Institutions Branch, Department of Corrections.
 Item 09 0492, Deputy Co-ordinator, Level 2, Community Development Centre, Mental Health Services.
 Item 09 0494, Head, Counselling Service, Level 2, Community Development Centre, Mental Health Services.
 Item 09 0496, Head, Training and Evaluation Service, Level 2, Community Development Centre, Mental Health Services.
 Item 09 0497, Head, Community Education Service, Level 2, Community Development Centre, Mental Health Services.
 Item 09 0498, Buildings Officer, G-VII-3, Community Development Centre, Mental Health Services.
 Item 14 0008, Assistant Director-General of Education (Administration), Level 4A, Administrative Division, Education Department.
 Item 14 0012, Assistant Director-General of Education (Personnel), Level 4A, Administrative Division, Education Department.
 Item 14 5150, Clerk, C-II-1, Balga, Technical Schools Branch, Education Department.
 Item 14 5155, Typist, C-V, Balga, Technical Schools Branch, Education Department.
 Item 14 5156, Typist, C-V, Balga, Technical Schools Branch, Education Department.
 Item 16 0158, Clerk, C-II-4, Clerical Section, Administrative Branch, Department of Fisheries and Fauna.
 Item 22 5883, Technical Officer, G-II-1/2, Mechanical—North Section, Mechanical and Electrical Branch, Engineering Division, Metropolitan Water Supply Board.
 Item 25 0248, Clerical Assistant, C-VI, Stores Section, Administrative Branch, Police Department.
 Item 29 6680, Technical Assistant, G-VII-2/3, True to Scale Section, Reprographic Services, Design Office, Engineering Division, Public Works Department.
 Item 29 6683, General Assistant, G-VII-1, True to Scale Section, Reprographic Services, Design Office, Engineering Division, Public Works Department.
 Item 35 3653, Assistant Computer Manager, C-II-5/6, Processing Section, Data Processing Centre, Treasury Department.

Item 35 3655, 3656 and 3657, Shift Supervisors C-II-4, Processing Section, Data Processing Centre Treasury Department.

THE following offices have been abolished:—

Item 14 0010, Deputy Director-General of Education, Level 5, Administrative Division, Education Department.
 Item 17 0090, Inspector, Level 4, Forests Department.
 Items 20 1360, 1425, Inspector, G-II-3/4, Inspection Section, Applications and Inspections Branch Department of Lands and Surveys.
 Item 20 1430, Assistant Inspector, G-II-1/2, Inspection Section, Applications and Inspector Branch, Department of Lands and Surveys.
 Item 29 6670, General Assistant, G-VII-1, Plar Printing and Mounting Section, Reprographic Services, Design Office, Engineering Division, Public Works Department.

THE title and/or classification of the following offices have been amended:—

Item 01 6622, occupied by R. Lethbridge, Rangeland Management Branch, Soils Division, Department of Agriculture, amended from Field Assistant, G-VI to Item 01 6602, Field Technician, Grade 2, G-II-1/4, with effect from 6th November, 1972.
 Item 01 7380, occupied by H. Nicol, Plant Research Division, Department of Agriculture, amended from Research Officer, Grade 2, Level 2 to Item 01 7359, Research Officer, Grade 1, Level 3, with effect from 10th November, 1972.
 Item 01 5682, Vacant, Advisory Services Branch, Wheat and Sheep Division, Department of Agriculture, amended from Field Technician, Grade 2, G-II-1/4 to Field Assistant, G-VI, with effect from 5th December, 1972.
 Item 09 0490, occupied by R. L. Tatom, Community Development Centre, Mental Health Services, amended from Education Co-ordinator, Level 2 to Co-ordinator, Level 3, with effect from 1st November, 1972.
 Item 17 2166, occupied by J. A. W. Robley, Attached pending allocation, Forests Department, amended from Inspector, Level 4 to Superintendent, Level 5, with effect from 2nd October, 1972.
 Item 19 0860, C-II-3, occupied by J. Vague, Clerical Section, Factories Branch, Department of Labour, amended from Clerk in Charge, to Senior Clerk, with effect from 1st January, 1973.
 Item 19 0083, occupied by J. B. Mell, Clerical Section, Administrative Branch, Department of Labour, amended from Senior Clerk, C-II-5 to Clerk in Charge, C-II-6, with effect from 1st January, 1973.
 Item 19 0080, Administrative Officer, occupied by J. Campbell, Clerical Section, Administrative Branch, Department of Labour, amended from C-II-9 to C-II-10, with effect from 1st January, 1973.
 Item 28 0445, Assistant Personnel Officer, occupied by J. B. Miller, Recruitment and Training Section, Administrative Branch, Public Service Board, amended from C-III-2/3 to C-II-1/2, with effect from 15th December, 1972.

IT is hereby notified for general information that the following days will be observed as holidays throughout the State Public Service:—

25th December, 1972 (Christmas Day).
 26th December, 1972 (Boxing Day).
 1st January, 1973 (New Year's Day).
 2nd January, 1973 (Special).
 29th January, 1973 (Australia Day).

NOTICE is hereby given that the notice of amended classification of Item 08 3143, Forensic Pathologist, Vacant, Pathology Section, Public Health Laboratories, Public Health Department, from Level 3 to Level 4A, with effect from 10th November, 1972, is cancelled.

R. H. DOIG,
 Chairman, Public Service Board.

VACANCIES IN THE PUBLIC SERVICE

Department	Item No.	Position	Classn.	Salary
Closing 5th January, 1973				\$
Agriculture	01 0610	Clerk, Rural Reconstruction Branch	C-II-2	5,500-5,699
Agriculture	01 0615	Clerk, Rural Reconstruction Branch	C-II-1	5,103-5,302
Audit	02 0010	Senior Auditor (g)	A-I-3	11,929
Community Welfare	10 0676	Clerk, Cashiers' Section, Accounts Branch	C-II-1	5,103-5,302
Community Welfare	10 0670	Clerk, Cashiers' Section, Accounts Branch	C-II-1	5,103-5,302
Crown Law	11 2275	Clerk, Sheriff's Office	C-II-1	5,103-5,302
Crown Law	11 2815	Clerk, Local Court, Perth, Court Offices Branch	C-II-2	5,500-5,699
Crown Law	11 4730	Clerk of Courts, Relieving, Inspecting and Relieving	C-II-3/4	5,914-6,592
	11 4760	Clerks of Court Section, Court Offices Branch		
	11 4775			
Lands and Surveys	20 7397	Technical and Training Officer, Bush Fires Board	G-II-5	6,764-6,995
Metropolitan Water Supply	22 0050	Organisation and Methods Officer, Organisation and Methods Section, Administrative Branch	C-II-8	8,537-8,785
Metropolitan Water Supply	22 4667	Programmer Scientific, Investigation and Design Branch, Engineering Division (p) (q)	Level 1	5,142-7,590
Metropolitan Water Supply	22 4878	Survey Assistant, Grade 3, Construction Branch, Engineering Division (a)	G-II-1/2	5,038-5,646
Metropolitan Water Supply	22 4879			
Public Service Board	28 0393	Training Officer, Recruitment and Training Section, Administrative Branch	C-II-5/6	6,823-7,548
Public Service Board	28 0310	Industrial Officer, Industrial and Research Section, Administrative Branch	C-II-4/5	6,361-7,054
Public Service Board	28 0771	Graduate Assistant, Graduate Assistants Branch (e)...	C-II-2/3	5,500-6,129
Public Health	08 0145	Librarian Grade 3, Library and Technical Information Service (b) (c)	Level 4	5,338-6,272
Public Works	29 8964	Works Manager, Electrical Engineering Design and Construction Branch, Architectural Division	G-II-7	7,747-8,242
Public Works	29 8614	Engineer, Mechanical Engineering Design and Construction Branch, Architectural Division	Level 4	11,375-12,082
Public Works	29 8633	Engineer, Mechanical Engineering Design and Construction Branch, Architectural Division	Level 2	8,156-8,997
Public Works	29 8634			
Public Works	29 8686	Senior Engineering Draftsman, Mechanical Engineering Design and Construction Branch, Architectural Division	Level 2	7,390-7,966
Public Works	29 8918	Engineer, Electrical Engineering Design and Construction Branch, Architectural Division	Level 3	9,447-10,778
Public Works	29 7688	Architect, Design Branch, Architectural Division	Level 3	9,447-10,778
Public Works	29 7689			
Public Works	29 8013	Technical Officer, Design Branch, Architectural Division	G-II-1/2	5,038-5,646
Public Works	29 8093	Senior Supervisor, Construction and Maintenance Branch, Architectural Division	G-II-6	7,253-7,495
Public Works	29 8099			
Public Works	29 7451	Assistant Chief Quantity Surveyor, Services Branch, Architectural Division	Level 4	9,826-10,229
State Housing	32 1414	Collector, Bunbury Country Offices, General Branch	C-II-1	5,103-5,302
Treasury	35 0170	Finance Officer, Grade 1, Budgeting Section, Research and Budgeting Branch	C-II-8	8,537-8,785
Treasury	37 0840	Technical Officer, Special Services Branch, Government Printing Office	G-II-5	6,764-6,995
Education	14 0020	Chief Administrative Officer, Administrative Division	A-I-6	13,542
Community Welfare	10 0115	Clerk, Relieving, Staff Branch	C-II-1	5,103-5,302
Community Welfare	10 0310	Clerk, Adoptions Branch	C-II-1	5,103-5,302
Corrections	05 0310	Farm Manager, Wooroloo, Institutions Branch (k) (l)	G-II-2/3	5,441-6,076
Education	14 5150	Clerk, Balga, Technical Schools Branch	C-II-1	5,103-5,302
Education	14 1241	Clerk, Staff Section, Clerical Branch	C-II-4	6,361-6,592
Education	14 1236	Senior Clerk, Staff Section, Clerical Branch	C-II-6	7,301-7,548
Electoral	15 0010	Chief Electoral Officer	A-I-7	14,187
Labour	19 0250	Deputy Chief Inspector, Scaffolding and Inspection Section, General Branch	G-II-8	8,494-8,747
Lands and Surveys	20 1050	Clerk in Charge, Applications and Inspections Branch	C-II-7	7,796-8,290
Medical	07 0700	Clerk Relieving, General Section, Clerical Branch	C-II-1	5,103-5,302
Mental Health Services	09 1105	Clerk, Clerical Section, Graylands and Swanbourne Hospitals Branch	C-II-2	5,500-5,699
Metropolitan Water Supply Board	22 4680	Engineering Assistant, Grade 2, Investigation and Design Branch, Engineering Division (a) (h)	G-II-3/4	5,861-6,533
Metropolitan Water Supply Board	22 3940	Senior Meter Reader, Meter Reading Branch, Accounts Division	G-II-2	5,441-5,646
Public Health	08 0004	Assistant Secretary, Administrative Division	C-II-9	9,048-9,311
Public Works	29 0950	Clerk, Relieving Staff Section, Accounts Division	C-II-3	5,914-6,129
Public Works	29 5445	Engineer, Major Developments Investigating and Planning Section, Planning Design and Investigations Branch, Engineering Division	Level 2	8,156-8,997
Public Works	29 0612	Valuer, Grade 2, Valuations Section, Property and Valuation Branch	C-II-4/5	6,361-7,054
State Housing Commission	32 4810	Accounting Machinist in Charge, Accounting Machinists Section, Accounts Branch	C-III-3	4,829-5,033
Treasury	35 0890	Paying Officer, Expenditure Section, Accounts Branch	C-II-3	5,914-6,129
Treasury	35 3653	Assistant Computer Manager, Processing Section, Data Processing Centre	C-II-5/6	6,823-7,548
Treasury	35 3655	Shift Supervisor, Processing Section, Data Processing Centre	C-II-4	6,361-6,592
	3656			
	3657			
Tourist Development Authority	27 1105	Tourist Officer, Adelaide Office, Tourist Services Branch	C-II-1	5,103-5,302
Lands and Surveys	20 1810	Clerk, Roads Section, Roads and Reserves Branch	C-II-1	5,103-5,302
Closing 12th January, 1973				
Education	14 0012	Assistant Director General (Personnel)	Level 4A	\$16,194
Education	14 0008	Assistant Director General (Administration)	Level 4A	\$16,194

VACANCIES IN THE PUBLIC SERVICE—*continued*

The possession of, or progress towards, an appropriate tertiary level academic qualification will be considered a factor, increasing in importance with the level of classification, when determining efficiency of applicants in the Clerical Division.

- (a) Applications also called outside the Service under section 24.
 (b) Associateship in Library Studies from the W.A. Institute of Technology ; or Post Graduate Diploma in Library Studies from the W.A. Institute of Technology ; or approved equivalent qualifications.
 (c) EXPERIENCE : At least three years experience, preferably some or all in a technical or special library associated with bio-medical science.
 (e) University Degree in Arts, Science, Commerce or Economics essential with experience in an appropriate field.
 (g) Experience and training in auditing an advantage.
 (h) Completion or near completion of a relevant Diploma in Engineering or Science (in final year) with at least four years relevant experience; or ten years' relevant experience. Experience writing Fortran computer programmes would be an advantage.
 (i) Free quarters.
 (l) Salary inclusive of overtime and special duties.
 (p) A University Degree with a major in Mathematics.
 (q) Experience in programming digital computers and/or the completion of a study course in computer programming will be considered an advantage.
 (y) Plus District Allowance when applicable—Annual Uniform Issue—six weeks annual leave.

Applications are called under section 34 of the Public Service Act, 1904-1972, and are to be addressed to the Chairman, Public Service Board, and should be made on the prescribed form, obtainable from the offices of the various Permanent Heads of Departments.

22nd December, 1972

R. H. DOIG,
Chairman, Public Service Board.

PUBLIC SERVICE ACT, 1904-1972

DETERMINATION

PURSUANT to Section 19 of the Public Service Act, 1904-1972. The Public Service Board hereby determines that the salaries of the undermentioned officers shall be as detailed in the Schedule hereunder.

SCHEDULE

PUBLIC HEALTH DEPARTMENT				Salary from	
				11-5-72	19-5-72
				\$	\$
Level 3, Item 08 1870	Senior Dental Officer	12,845	12,949
Level 4, Item 08 1800	Principal Dental Officer	15,650	15,754
DEPARTMENT OF AGRICULTURE					
Level 5, Item 01 1805	Assistant Chief Veterinary Surgeon and Assistant Chief Inspector	13,140	13,244
Level 6, Item 01 2450	Chief Veterinary Research Officer	14,400	14,504
Level 7, Item 01 1800	Chief Veterinary Surgeon and Chief Stock Inspector	15,210	15,314
TOWN PLANNING DEPARTMENT					
Level 5, Item 34 0015	Chief Planner	15,650	15,754

Signed by the Public Service Board:

R. H. DOIG,
Chairman.

J. B. CROOKS,
Deputy Chairman.

E. P. SHADDICK,
Commissioner.

Crown Law Department,
Perth, 20th December, 1972.

THE Hon. Attorney General has approved the appointment and cancellation of the following persons as Commissioners for Declarations under the Declarations and Attestations Act, 1913-1962:—

Appointments:

Brearley, Donald Robert—Riverton.

Jarvis, Patricia Ann (Mrs.)—Hampton Hill Station, via Kalgoorlie.

Cancellation:

Smith, Rodney George—Rivervale.

W. J. ROBINSON,
Under Secretary for Law.

Crown Law Department,
Perth, 18th December, 1972.

THE Hon. Attorney General has appointed Constable Robert William Taylor—

(a) as Bailiff of the Mullewa Local Court at Morawa, and

(b) pursuant to section 25A of the Justices Act, 1902-1972, as clerk of petty sessions for the Geraldton magisterial district at Morawa,

as from the 11th December, 1972, *vice* Sergeant J. E. Pearce transferred.

W. J. ROBINSON,
Under Secretary for Law.

Crown Law Department,
Perth, 18th December, 1972.

THE Hon. Attorney General has appointed Sergeant Robert Bruce Edwards as Bailiff of the Carnarvon Local Court as from the 27th November, 1972, *vice* Sergeant R. J. Stephens.

W. J. ROBINSON,
Under Secretary for Law.

(c) pursuant to section 25A of the Justices Act, 1902-1972 as clerk of petty sessions for the Avon magisterial district at Corrigin as from the 9th December, 1972, *vice* Sergeant D. M. Old, transferred.

W. J. ROBINSON,
Under Secretary for Law.

Crown Law Department,
Perth, 15th December, 1972.

THE Hon. Attorney General has appointed Senior Constable John Robert Hawkes—

- (a) pursuant to section 13 (2) of the Local Courts Act, 1904-1970, as Clerk of the Wundowie Local Court;
- (b) as Bailiff of the Wundowie Local Court, and
- (c) pursuant to section 25A of the Justices Act, 1902-1972 as clerk of petty sessions for the Avon magisterial district at Wundowie,

as from the 21st December, 1972, *vice* Senior Constable C. J. Smith, transferred.

W. J. ROBINSON,
Under Secretary for Law.

Crown Law Department,
Perth, 19th December, 1972.

THE Hon. Attorney General has appointed Donald Henry Wright—

- (a) as Bailiff of the Southern Cross Local Court at Koolyanobbing, and
- (b) pursuant to section 25A of the Justices Act, 1902-1972 as clerk of petty sessions for the Coolgardie magisterial district at Koolyanobbing

as from the 6th December, 1972, *vice* Senior Constable E. J. Brown transferred.

W. J. ROBINSON,
Under Secretary for Law.

Crown Law Department,
Perth, 15th December, 1972.

HIS Excellency the Governor in Executive Council has under the provisions of section 14 of the Transfer of Land Act, 1893-1972—

- (a) annulled the appointment made on the 6th September, 1972, of Jack Harold Segal of 7 Meenaar Crescent, Coolbinia as a Sworn Valuator under that Act; and
- (b) appointed the said Jack Harold Segal as a Sworn Valuator under that Act.

W. J. ROBINSON,
Under Secretary for Law.

Crown Law Department,
Perth, 22nd December, 1972.

THE Hon. Attorney General has appointed Lance Howard Merritt, pursuant to section 25A of the Justices Act, 1902-1972, as clerk of petty sessions for the East Kimberley magisterial district at Wyndham as from the 11th December, 1972, *vice* A. J. Carroll, transferred.

W. J. ROBINSON,
Under Secretary for Law.

Crown Law Department,
Perth, 18th December, 1972.

HIS Excellency the Governor in Executive Council has appointed Lance Howard Merritt—

- (a) pursuant to section 13 (1) of the Local Courts Act, 1904-1970, to be clerk of the Local Court at Wyndham;
- (b) pursuant to section 13 of the Juries Act, 1957-1959 to be the Jury Officer for the East Kimberley Jury District at Wyndham; and
- (c) under the provisions of section 25 (1) of the District Court of Western Australia Act, 1969, to be Deputy Registrar of the District Court of Western Australia held at Wyndham,

as from the 11th December, 1972, *vice* A. J. Carroll, transferred.

W. J. ROBINSON,
Under Secretary for Law.

ELECTORAL ACT, 1907-1970.

Electoral Department,
Perth, 15th December, 1972.

THE Hon. Attorney General, pursuant to section 7 of the Electoral Act, 1907-1970, and the authority delegated to him by the Governor thereunder, has approved of the appointment of Robert Courtney Alderson as substitute to discharge the duties of Electoral Registrar for the Cottesloe, Floreat, Nedlands, Subiaco and Wembley Electoral Districts during the absence of Mr. J. E. Dermer on long service leave as from 11th December, 1972.

S. E. WHEELER,
Chief Electoral Officer.

ELECTORAL ACT, 1907-1970.

Electoral Department,
Perth, 18th December, 1972.

HIS Excellency the Governor in Council, has under the provisions of Section 6 of the Electoral Act, 1907-1970, and Section 34 of the Interpretation Act, 1918-1970, approved of the appointment of Clifford Collyn Hazell as Electoral Registrar for the Balcatta, Karrinyup, Maylands and Mirrabooka Electoral Districts, as from 4th December, 1972.

S. E. WHEELER,
Chief Electoral Officer.

Crown Law Department,
Perth, 19th December, 1972.

THE Hon. Attorney General has appointed Ernest Joseph Brown—

- (a) pursuant to section 13 (2) of the Local Courts Act, 1904-1970 as Clerk of the Local Court at Corrigin;
- (b) as Bailiff of the Corrigin Local Court, and

CHARITABLE TRUSTS ACT, 1962.

NOTICE is hereby given that the Supreme Court will be moved on the 29th day of January, 1973, to approve, pursuant to Part III of the Charitable Trusts Act, 1962, in respect of the Sir Winthrop Hackett Schools Maintenance Endowment created by a bequest in the will of Sir Winthrop Hackett, late of Perth, the following scheme:

That the conditions of the Sir Winthrop Hackett Schools Maintenance Endowment be varied by substituting in Clause 19 of the Will of Sir Winthrop Hackett late of Perth in the State of Western Australia, Gentleman, the words "within a radius of 25 miles from the Town Hall Perth" for the word "Perth" in line 5 thereof.

Approval of the above scheme would enable Church of England Boys' and Girls' Schools within a radius of 25 miles from the Town Hall Perth to be included in the class of beneficiaries of the said Endowment which hitherto has been restricted to the said Schools within the Municipality of Perth.

Further notice is given that any person desiring to oppose the scheme must give written notice of his intention to do so to the Master of the Supreme Court, The Perth Diocesan Trustees and to the Attorney General not less than seven clear days before the abovementioned date.

B. H. HOUSTON,
Diocesan Secretary.

HEALTH ACT, 1911-1970.

Department of Public Health,
Perth, 18th December, 1972.

P.H.D. 171/63; Ex. Co. 3759.

HIS Excellency the Governor in Council has approved, pursuant to the provisions of section 119 of the Health Act, 1911-1970, of the use by the Shire of Roebourne of the following sites for the disposal of rubbish:—

- (a) De Witt Location 82.
- (b) Reserve 30649.

W. S. DAVIDSON,
Commissioner of Public Health.

HEALTH ACT, 1911-1970.

Department of Public Health,
Perth, 18th December, 1972.

P.H.D. 267/67.

THE appointment of James R. Swann as Health Surveyor to the Shire of Augusta-Margaret River is approved.

W. S. DAVIDSON,
Commissioner of Public Health.

HOSPITALS ACT, 1927-1972.

Medical Department,
Perth, 13th December, 1972.

M.5553/71.

HIS Excellency the Governor in Executive Council has been pleased to, under the provisions of the Hospitals Act, 1927-1972, to—

- (1) Appoint Mr. J. D. Clarkson to be a member of the Teaching Hospitals Advisory Council for the period ending 31st October, 1975, *vice* Sir Reginald Rushton, retired.
- (2) Appoint Deputy members of the Teaching Hospitals Advisory Council as under:
 - (a) Dr. D. J. R. Snow—Deputy for Dr. W. S. Davidson.

(b) Mr. J. M. Harry—Deputy for Mr. H. R. Smith.

(c) Professor A. J. F. Boyle—Deputy for Emeritus Professor R. F. Whelan.

H. R. SMITH,
Director of Administration,
Medical and Health Services.

HOSPITALS ACT, 1927-1972.

Medical Department,
Perth, 13th December, 1972.

M.5590/58.

HIS Excellency the Governor in Executive Council has been pleased to appoint under the provisions of the Hospitals Act 1927-1972 Mr. D. T. Stone as a member of the Quairading District Hospital Board of Management for the period ending 31st July, 1973, *vice* Mr. A. A. Simpson deceased.

H. R. SMITH,
Director of Administration,
Medical and Health Services.

HOSPITALS ACT, 1927-1972.

Medical Department,
Perth, 13th December, 1972.

M.LL/1.9.

HIS Excellency the Governor in Executive Council has been pleased to appoint under the provisions of the Hospitals Act 1927-1972 the following persons as members of the Lady Lawley Cottage Board of Management for a period of one year ending 31st December, 1973.

Messrs. R. B. Dawbarn, E. S. Baker, M. Bevilacqua, J. W. Cruthers, J. D. Davies, J. E. Deacon, G. H. Dunstan, W. A. Glendinning, J. B. Morrison, J. Rintoul and G. W. Thomas.

Mesdames M. C. Duncan, K. Jennings, E. M. Johnson, V. P. Leach, F. C. B. Lefroy, M.B.E., H. L. Proudfoot, A. D. Simmonds, J.P., M. L. Thorne and G. Trivett, B.E.M.

H. R. SMITH,
Director of Administration,
Medical and Health Services.

MEDICAL ACT, 1894.

Department of Public Health,
Perth, 18th December, 1972.

P.H.D. 145/55; Ex. Co. 3760.

HIS Excellency the Governor in Council has appointed, pursuant to section 4 of the Medical Act, 1894, Mr. G. S. Pestell to be a member of the Medical Board of Western Australia for the remainder of the term due to expire on the 30th June, 1974, *vice* Mr. J. P. Ainslie, resigned.

W. S. DAVIDSON,
Commissioner of Public Health.

PHYSIOTHERAPISTS ACT, 1950.

Department of Public Health,
Perth, 18th December, 1972.

P.H.D. 1582/62; Ex. Co. 3761.

HIS Excellency the Governor in Council has appointed Mrs. M. E. Morrell (Physiotherapist) to be a member of the Physiotherapists Registration Board for the term of three years commencing on 16th January, 1973.

W. S. DAVIDSON,
Commissioner of Public Health.

HEALTH ACT, 1911-1970.

Shire of Gosnells.

P.H.D. 674/61; Ex Co 3758.

WHEREAS under the provision of the Health Act, 1911-1970, a Local Authority may make or adopt bylaws, and may alter, amend or repeal any bylaws so made or adopted; now, therefore, the Shire of Gosnells, being a Local Authority within the meaning of the Act and having adopted the Model Bylaws described as Series "A" as reprinted pursuant to the Reprinting of Regulations Act 1954, in the *Government Gazette* on the 17th July, 1963, doth hereby resolve and determine that the said adopted bylaws shall be amended as follows:—

PART VII.—FOOD.

General.

Bylaw 51 of this part is amended as follows:—

Delete the words "five pounds" being the last two words of sub-bylaw (2) and insert in lieu thereof the words "twenty-five dollars".

Passed at a meeting of the Gosnells Shire Council held on the 20th day of November, 1972.

R. D. HARRIS,
Deputy President.

H. W. WALKER,
Shire Clerk.

Approved by His Excellency the Governor in Executive Council this 13th day of December, 1972.

W. S. LONNIE,
Clerk of the Council.

HEALTH ACT, 1911-1972.

Public Health Department,
Perth, 21st December, 1972.

P.H.D. 997/56.

HIS Excellency the Governor in Executive Council, acting pursuant to the provisions of section 343 of the Health Act, 1911-1972 and paragraph (21) of section 199 of that Act, has been pleased to make the regulations set forth in the Schedule hereunder.

W. S. DAVIDSON,
Commissioner of Public Health.

Schedule.

Regulations.

- Principal regulations. 1. In these regulations the Toxic and Hazardous Substances Regulations, published in the *Government Gazette* on the 23rd of January, 1968, and amended by notices subsequently so published, are referred to as the principal regulations.
- Reg. 4 amended. 2. Regulation 4 of the principal regulations is amended by adding after paragraph (c) a paragraph as follows:—
(d) lead when contained in paint on pottery that is likely to come into contact with any food or beverage if there may be released from the pottery 7 parts per million or more of lead as determined by the A.S.T.M. method C-555-71 "Estimation of Lead Extracted from Glazed Ceramic Surfaces".
- Addition of Reg. 5A. 3. The principal regulations are amended by adding after regulation 5 a regulation as follows:—
5A. A person shall not sell any pottery that is likely to come in contact with any food or beverage if there may be released from the pottery 7 parts per million or more of lead as determined by the A.S.T.M. method C-555-71 "Estimation of Lead Extracted from Glazed Ceramic Surfaces".
- Reg. 9 amended. 4. Regulation 9 of the principal regulations is amended by substituting for the passage "roof." a passage as follows:—
roof,
and a person shall not use any paint containing lead on any pottery that is likely to be used for any food or beverage if there may be released from the pottery 7 parts per million or more of lead as determined by the A.S.T.M. method C-555-71 "Estimation of Lead Extracted from Glazed Ceramic Surfaces".

UNCLAIMED PROPERTY HELD BY POLICE.

TENDERS are invited for the following damaged vehicle:—

Body shell and engine block of Morris Minor 850 Sedan. Colour—Blue. Engine No.—8AM/U/H/441974.

The vehicle may be inspected at the Derby Police Station and Tenders directed to the Officer in Charge, closing on 8th January, 1973.

FAUNA CONSERVATION ACT, 1950-1970.

Department of Fisheries and Fauna,
Perth, 19th December, 1972.

File 678/72.

THE Minister for Fisheries and Fauna, pursuant to the powers conferred by sections 14 and 17B of the Fauna Conservation Act, 1950-1970, does hereby declare as follows:—

That the period from six o'clock in the afternoon of the date of publication of this notice until midnight of April 30, 1973, shall be an open season in respect of Mountain Ducks (*Tadorna tadornoides*) and Wood Duck or Maned Goose (*Chenonetta jubata*) in all those parts of the State which lie within the boundaries of the Shires specified in the schedule hereto subject to the following restrictions:—

- (a) Mountain Ducks or Maned Geese may be taken only on freehold and leasehold land,
- (b) Mountain Ducks or Maned Geese may be taken only by the owner or occupier of the land on which they are taken or by persons authorised in writing by the owner or occupier,
- (c) Those persons taking Mountain Ducks or Maned Geese must have on or about their person the written authority of the land owner or occupier.
- (d) The written authority must be carried by persons transporting Mountain Ducks or Maned Geese from the property where they were taken,
- (e) A person shall not take any Mountain Ducks or Maned Geese by any means other than a shot-gun licensed pursuant to the Firearms and Guns Act, 1931, and having a calibre of less than thirty-one-fortieths of an inch in internal diameter (ten gauge),
- (f) Mountain Ducks or Maned Geese shall not be sold for gain or reward.

A. W. BICKERTON,
Minister for Fisheries and Fauna.

Schedule.

Shires of—

Albany.	Gnowangerup.
Augusta-Margaret River.	Goomalling.
Beverley.	Harvey.
Boddington.	Irwin.
Boyup Brook.	Katanning.
Bridgetown-Greenbushes.	Kellerberrin.
Brookton.	Kojonup.
Broomehill.	Kulin.
Busselton.	Lake Grace.
Capel.	Manjimup.
Carnamah.	Mingenew.
Chittering.	Moor.
Collie.	Morawa.
Corrigin.	Murray.
Coorow.	Nannup.
Cranbrook.	Narrogin.
Cuballing.	Northam.
Cunderdin.	Nyabing-Pingrup.
Dalwallinu.	Pingelly.
Dandaragan.	Plantagenet.
Denmark.	Quairading.
Donnybrook-Balingup.	Swan-Guildford.
Dowerin.	Tambellup.
Dumbleyung.	Tammin.
Gingin.	Three Springs.

Toodyay.
Victoria Plains.
Wagin.
Wandering.
Wanneroo.
Waroona.
West Arthur.

Wickpin.
Williams.
Wongan-Ballidu.
Woodanilling.
Wyalkatchem.
York.

FAUNA CONSERVATION ACT, 1950-1970.

Department of Fisheries and Fauna,
Perth, 15th December, 1972.

It is hereby notified for general information that the Hon. Minister for Fisheries and Fauna has appointed the following persons as Honorary Wardens of Fauna:—

1009—Mr. Denis Claude Drage, of 28 Albany Highway, Mt. Barker.

1010—Mr. Sydney Hugh Stewart, of Roe Location 411, Pingaring.

1011—Mr. Anthony Andrew Tomazin, of 36 Banks Ave., Hillary Beach.

1012—Mr. David Richard Galvin, of 19 Moore Street, Port Hedland.

15th December, 1972.

A. J. MEARNS,
Acting Chief Warden of Fauna.

FORFEITURES.

THE following leases and licenses together with all rights, title and interest therein have this day been forfeited to the Crown under the Land Act, 1933-1971, for the reasons stated:—

21st December, 1972.

F. W. BYFIELD,
Under Secretary for Lands.

Name; Lease; District; Reason; Corres.; Plan.
Ampol Petroleum Limited; 3116/4450; Fitzgerald Lot 44; non-compliance with conditions; 2596/69; Townsite.
Healy, L. D. Y.; 338/10185; Greenhead Lot 143; non-compliance with conditions; 1925/69; Townsite.
Kerr, P. H.; 338/10156; Salmon Gums Lot 56; non-compliance with conditions; 1263/69; Townsite.
Melbin, R. A. & A.; 338/10096; Kalannie Lot 57; non-compliance with conditions; 349/69; Townsite.
Nichols, P. W.; 338/10420; Yalgoo Lot 174; non-compliance with conditions; 3109/69; Townsite.
Shipard, H. C., B. C., D.; Campbell, P. W., N. Mc.; 3116/3169; Esperance Lot 1825; non-payment of rent; 1240/57; Townsite.
Vagg, A. K. & D. M.; 3116/4541; Wyndham Lot 588; non-compliance with conditions; 2351/66; Townsite.
Wann, G. L.; 3116/5257; Illawong Lot 31; abandoned; 1895/72; Townsite.

RESERVES.

Department of Lands and Surveys,
Perth, 22nd December, 1972.

HIS Excellency the Governor in Executive Council has been pleased to set apart as Public Reserves the land described below for the purposes therein set forth.

Corres. 2840/72.

AVON.—No. 31715 (Conservation of Flora and Fauna), Loc. No. 28462 (175.8052 hectares). (Plan 55/80.)

Corres. 3462/70.

COCKBURN SOUND.—No. 31722 (Fire Station Site), Loc. No. 2243 (1.1686 hectares). (Diagram 76207, Plan R9-4 (Office Road, Rockingham).)

Corres. 2846/72.

GOOMALLING.—No. 31718 (Pedestrian Access Way), Lot No. 439 (56 square metres). (Original Plan 12300, Plan Goomalling Townsite.)

Corres. 2847/72.

GOOMALLING.—No. 31719 (Pedestrian Access Way), Lot No. 440 (56 square metres), (Original Plan 12300, Plan Goomalling Townsite.)

Corres. 2848/72.

GOOMALLING.—No. 31720 (Pedestrian Access Way), Lot No. 441 (56 square metres). (Original Plan 12300, Plan Goomalling Townsite.)

Corres. 1948/72.

KAMBALDA.—No. 31723 (Pedestrian Access and Recreation), Lot No. 439 (4032 square metres). (Original Plan 11627, Plan 40/80.)

Corres. 2039/72.

KUNUNURRA.—No. 31725 (Vehicle Parking), Lot Nos. 643, 644, 645 and 646 (1214 square metres). (Plan Kununurra Townsite (Melia Street).)

Corres. 2175/67.

NGALBAIN.—No. 31721 (Water Supply), Loc. Nos. 30 and 31 (9710 square metres). (Diagram 74407, Plan 10/80 C1.)

Corres. 668/72.

NORTH DANDALUP.—No. 31711 (Rest Room (C.W.A.)). Lot No. 2 (1032 square metres). (Diagram 76184, Plan 380B/40 D1.)

Corres. 1065/72.

WELLINGTON.—No. 31716 (Golf Club-House), Loc. No. 5079 (1.3178 hectares). (Original Plan 12047, Plan Collie Central.)

Corres. 2551/36.

WIALKI.—No. 31714 (Government Requirements) Lot Nos. 14, 19 and 28 (3035 square metres). (Plan Wialki Townsite (Anderson Street and O'Neil Avenue).)

F. W. BYFIELD,
Under Secretary for Lands.

AMENDMENT OF RESERVES.

Department of Lands and Surveys,
Perth, 22nd December, 1972.

HIS Excellency the Governor in Executive Council has been pleased to approve, under section 37 of the Land Act, 1933-1971, as follows:—

Corres. 708/30.—Of the amendment of Reserve No. 225 (Avon District) "Watering Place for Stock" to exclude the area surveyed and shown on Lands and Surveys Diagram 75269 as Avon Location 28405 and of its area being reduced by 1.1559 hectares. (Plan 379c/40 EF3.)

Corres. 4360/03.—Of the amendment of Reserve No. 8682 (Kalgoorlie Lots 1942 to 1946 inclusive, 1961 to 1967 inclusive, 1983, 1984, 1987 to 1990 inclusive) "Water Supply (Goldfields Water Scheme)" to exclude the area surveyed and shown on Lands and Surveys Diagram 76166 as Kalgoorlie Lot 3551 and of its area being reduced accordingly. (Plan Kalgoorlie-Boulder, Sheet 2.)

Corres. 3131/09.—Of the amendment of Reserve No. 12296 (near Rockingham) "Racecourse and Recreation" to exclude the area surveyed and shown on Lands and Surveys Diagram 76207 as Cockburn Sound Location 2243 and of its area being reduced to about 15 hectares accordingly. (Plan R 9-4.)

Corres. 4836/21.—Of the amendment of Reserve No. 15587 (Gascoyne District) "Government Requirements" to exclude the area surveyed and shown on Lands and Surveys Diagram 75542 as Gascoyne Location 311 and of its area being reduced to about 225 hectares accordingly. (Plan Carnarvon Regional.)

Corres. 8432/12.—Of the amendment of Reserve No. 15844 (Cockburn Sound Location 671) "Recreation" to exclude the area surveyed and shown on Lands and Surveys Diagram 76184 and of its area being reduced to 4.5102 hectares accordingly. (Plan 380B/40.)

Corres. 4659/27.—Of the amendment of Reserve No. 19876 (Fitzgerald Locations 1231 and 1232) "Water" to exclude Location 1231 and of its area being reduced to 28.9629 hectares accordingly. (Plan 402/80.)

Corres. 3585/57.—Of the amendment of Reserve No. 30711 (at Onslow) "Harbour Purposes" to include the area surveyed and shown on Original Plan 10532 as Onslow Lot 460 and of its area being increased to 160.5666 hectares accordingly. (Plan Onslow, Sheet 2.)

Corres. 1189/72.—Of the amendment of Reserve No. 31656 (Pinjarra Lots 232, 235, 241, 257, 275, 276, 277 and 283) "Drainage" to comprise an area of 2.1342 hectares to agree with the area as re-calculated. (Plan Pinjarra 13.31.)

F. W. BYFIELD,
Under Secretary for Lands.

CHANGE OF PURPOSE OF RESERVES.

Department of Lands and Surveys,
Perth, 22nd December, 1972.

HIS Excellency the Governor in Executive Council has been pleased to approve, under section 37 of the Land Act, 1933-1971, as follows:—

Corres. 432/23.—Of the purpose of Reserve No. 18217 (Nelson Location 9521) being changed from "Timber for Settlers" to "Gravel and Timber for Settlers". (Plan 438 B/40 E1.)

Corres. 612/49.—Of the purpose of Reserve No. 22987 (Sussex District) being changed from "Timber for Settlers" to "Gravel and Sand Pit". (Plan 440A/40 B2.)

F. W. BYFIELD,
Under Secretary for Lands.

CANCELLATION OF RESERVES.

Department of Lands and Surveys,
Perth, 22nd December, 1972.

HIS Excellency the Governor in Executive Council has been pleased to approve, under section 37 of the Land Act, 1933-1971, as follows:—

Corres. 27/99.—Of the cancellation of Reserve No. 6477 (Mount Barker Lot 35) "Post Office". (Plan Mount Barker Townsite.)

Corres. 5121/10.—Of the cancellation of Reserve No. 10959 (Broome Lot 10) "Use and Requirements of the Shire of Broome". (Plan Broome, Sheet 1.)

Corres. 1838/67. Of the cancellation of Reserve No. 31556 (Darkan Lot 260) "Use and Requirements of the Shire of West Arthur". (Plan Darkan Townsite.)

F. W. BYFIELD,
Under Secretary for Lands.

NEW TOWNSITE—NABAWA.

Department of Lands and Surveys,
Perth, 22nd December, 1972.

Corres. 3853/64.

HIS Excellency the Governor in Executive Council has been pleased to approve, under section 10 of the Land Act, 1933-1971, of the area described in the schedule hereto being defined and set apart as "Town and Suburban Lands", and of such lands being hereafter known and distinguished as Nabawa Townsite.

F. W. BYFIELD,
Under Secretary for Lands.

Schedule.

All that portion of land bounded by lines starting at the intersection of the left bank of the Chapman River and a northeastern side of Road Number 4436 and extending generally southeasterly along that side and the northern and eastern sides of Road Number 8645 to its intersection with the northern side of Road Number 4427; thence easterly along that side to the southwestern corner of Victoria Location 5261; thence easterly and northeasterly along the southern boundaries of that location to a point situate in prolongation northwesterly of the northeastern boundary of Location 9789 (Reserve 23445); thence southeasterly to and along that boundary to the north-eastern corner of Location 6881 (Reserve 10997);

thence southerly and westerly along boundaries of that location to the southeastern corner of Location 11021; thence westerly along the southern boundary of that location and onwards to an eastern boundary of Location 7011; thence northerly along that boundary to the southeastern corner of Location 5262; thence northwesterly and westerly along the boundaries of that location to the northernmost eastern corner of Location 7011 aforesaid; thence westerly and southerly along the boundaries of that location to the northeastern corner of Part of Land Titles Office Lot 4 of Victoria Locations 2115, 1364 and 57; thence westerly, southerly, again westerly, again southerly and southwesterly along the boundaries of that lot to a point situate in prolongation easterly of the southern side of Road Number 1810; thence westerly to and along that side to its intersection with the left bank of the Chapman River aforesaid and thence generally northerly upwards along that bank to the starting point. (Public Plan 157A/40.)

NOW OPEN.

Cervantes Lot 86.

Department of Lands and Surveys,
Perth, 22nd December, 1972.

Corres. 3631/67.

HIS Excellency the Governor in Executive Council has been pleased to approve under section 45A of the Land Act, 1933-1971, of Cervantes Lot 86 being made "Now Open" for sale in fee simple at the purchase price of \$550.00 and subject to payment for improvements at valuation, in cash, should the successful applicant be other than the owner of such improvements.

Applications must be lodged at the Department of Lands and Surveys, Perth.

If there are more applications than one for the lot, the application to be granted will be decided by the Land Board.

(Plan Cervantes Townsite.)

F. W. BYFIELD,
Under Secretary for Lands.

NOW OPEN.

Halls Creek Lot 137.

Department of Lands and Surveys,
Perth, 22nd December, 1972.

Corres. 3732/67.

HIS Excellency the Governor in Executive Council has been pleased to approve under section 45A of the Land Act, 1933-1971, of Halls Creek Lot 137 being made "Now Open" for sale in fee simple at the purchase price of \$600.00 and subject to the payment for improvements at valuation, in cash, should the successful applicant be other than the owner of such improvements.

Applications must be lodged at the Department of Lands and Surveys, Perth.

If there are more applications than one for the lot, the application to be granted will be decided by the Land Board.

(Plan Halls Creek Townsite.)

F. W. BYFIELD,
Under Secretary for Lands.

NOW OPEN.

Kwinana Lot 142.

Department of Lands and Surveys,
Perth, 22nd December, 1972.

Corres. 1254/70.

HIS Excellency the Governor in Executive Council has been pleased to approve under section 45A of the Land Act, 1933-1971, of Kwinana Lot 142 being made "Now Open" for sale in fee simple at the purchase price of \$920.00 and subject to the payment for improvements at valuation, in cash, should the successful applicant be other than the owner of such improvements.

Applications must be lodged at the Department of Lands and Surveys, Perth.

If there are more applications than one for the lot, the application to be granted will be decided by the Land Board.

(Plan F250-4.)

F. W. BYFIELD,
Under Secretary for Lands.

NAMING OF ST. ALOUARN ISLAND WILDLIFE SANCTUARY.

Class "A" Reserve No. 25646.

Department of Lands and Surveys,
Perth, 22nd December, 1972.

Corres. 3980/59.

IT is notified for general information that the name of "St. Alouarn Island Wildlife Sanctuary" has been applied to the land contained in Class "A" Reserve No. 25646. (Public Plan 441 A/40 C2.)

F. W. BYFIELD,
Under Secretary for Lands.

NAMING OF BARROW ISLAND WILDLIFE SANCTUARY.

Class "A" Reserve No. 11648.

Department of Lands and Surveys,
Perth, 22nd December, 1972.

Corres. 7608/07.

IT is notified for general information that the name of "Barrow Island Wildlife Sanctuary" has been applied to the land contained in Class "A" Reserve No. 11648 (Barrow Island). (Public Plan Dampier and Barrow Island.)

F. W. BYFIELD,
Under Secretary for Lands.

NAMING OF BEAGLE ISLAND WILDLIFE SANCTUARY.

Reserve No. 26411.

Department of Lands and Surveys,
Perth, 22nd December, 1972.

Corres. 3620/61.

IT is notified for general information that the name of "Beagle Island Wildlife Sanctuary" has been applied to the land contained in Reserve No. 26411 (Beagle Islands). (Public Plan 93/80 D4.)

F. W. BYFIELD,
Under Secretary for Lands.

NAMING OF BREAKSEA ISLAND WILDLIFE SANCTUARY.

Reserve No. 27614.

Department of Lands and Surveys,
Perth, 22nd December, 1972.

Corres. 6032/13.

IT is notified for general information that the name of "Breaksea Island Wildlife Sanctuary" has been applied to the land contained in Reserve No. 27614 (Breaksea Island). (Public Plan 457B/40. C1.)

F. W. BYFIELD,
Under Secretary for Lands.

NAMING OF CARNAC ISLAND WILDLIFE SANCTUARY.

Class "A" Reserve No. 26646.

Department of Lands and Surveys,
Perth, 22nd December, 1972.

Corres. 285/63.

IT is notified for general information that the name of "Carnac Island Wildlife Sanctuary" has been applied to the land contained in Class "A" Reserve No. 26646 (Carnac Island). (Public Plan 341A/40. A1.)

F. W. BYFIELD,
Under Secretary for Lands.

NAMING OF DOUBTFUL ISLANDS WILDLIFE SANCTUARY.

Class "A" Reserve No. 23516.

Department of Lands and Surveys,
Perth, 22nd December, 1972.

Corres. 1266/52.

IT is notified for general information that the name of "Doubtful Islands Wildlife Sanctuary" has been applied to the land contained in Class "A" Reserve No. 23516 (Doubtful Islands). (Public Plan 448/80.)

F. W. BYFIELD,
Under Secretary for Lands.

NAMING OF FLAT ISLAND WILDLIFE SANCTUARY AND SANDY ISLAND WILDLIFE SANCTUARY.

Class "A" Reserve 25027.

Department of Lands and Surveys,
Perth, 22nd December, 1972.

Corres. 1346/26.

IT is notified for general information that the name of "Flat Island Wildlife Sanctuary and Sandy Island Wildlife Sanctuary" has been applied to the land contained in Class "A" Reserve No. 25027 (Flat and Sandy Islands). (Public Plan 454/80 E3.)

F. W. BYFIELD,
Under Secretary for Lands.

NAMING OF HOUTMAN ABROLHOS WILDLIFE SANCTUARY.

Class "A" Reserve No. 20253.

Department of Lands and Surveys,
Perth, 22nd December, 1972.

Corres. 3756/29, V6.

IT is notified for general information that the name of "Houtman Abrolhos Wildlife Sanctuary" has been applied to the land contained in Class "A" Reserve No. 20253 (Pelsart Group, Easter Group, Wallabi Group and North Island). (Public Plan Abrolhos Islands.)

F. W. BYFIELD,
Under Secretary for Lands.

NAMING OF LANCELIN ISLAND WILDLIFE SANCTUARY AND EDWARDS ISLAND WILDLIFE SANCTUARY.

Reserve No. 24979.

Department of Lands and Surveys,
Perth, 22nd December, 1972.

Corres. 4505/57.

IT is notified for general information that the name of "Lancelin Island Wildlife Sanctuary and Edwards Island Wildlife Sanctuary" has been applied to the land contained in Reserve No. 24979 (Lancelin and Edwards Islands). (Public Plan 30/80 C1.)

F. W. BYFIELD,
Under Secretary for Lands.

NAMING OF NUYTSLAND WILDLIFE SANCTUARY.

Class "A" Reserve No. 27632.

Department of Lands and Surveys,
Perth, 22nd December, 1972.

Corres. 1752/60.

IT is notified for general information that the name of "Nuytsland Wildlife Sanctuary" has been applied to the land contained in Class "A" Reserve No. 27632. (Public Plan Balladonia and Eyre 1:500,000.)

F. W. BYFIELD,
Under Secretary for Lands.

NAMING OF RECHERCHE ARCHIPELAGO WILDLIFE SANCTUARY.

Class "A" Reserve No. 22796.

Department of Lands and Surveys,
Perth, 22nd December, 1972.

Corres. 2192/69.

IT is notified for general information that the name of "Recherche Archipelago Wildlife Sanctuary" has been applied to the land contained in Class "A" Reserve No. 22796. (Public Plans 423/80, 429/80 and 430/80.)

F. W. BYFIELD,
Under Secretary for Lands.

NAMING OF SHOALWATER BAY ISLANDS WILDLIFE SANCTUARY.

Reserve No. 24204.

Department of Lands and Surveys,
Perth, 22nd December, 1972.

Corres. 929/28.

IT is notified for general information, that the name of "Shoalwater Bay Islands Wildlife Sanctuary" has been applied to the land contained in Reserve No. 24204 (Bird Island, Seal Island, Shag Rock, White Rock and Gull Rock). (Public Plan 341D/40 A3 and R23-4.)

F. W. BYFIELD,
Under Secretary for Lands.

NAMING OF SEAL ISLAND WILDLIFE AUTHORITY.

Class "A" Reserve No. 25645.

Department of Lands and Surveys,
Perth, 22nd December, 1972.

Corres. 3980/59.

IT is notified for general information, that the name of "Seal Island Wildlife Sanctuary" has been applied to the land contained in Class "A" Reserve No. 25645 (Seal Island). (Public Plan 441A/40 C1.)

F. W. BYFIELD,
Under Secretary for Lands.

CORRIGENDA.

APPLICATIONS FOR LEASING.

Department of Lands and Surveys,
Perth, 22nd December, 1972.

Corres. 1645/70.

UNDER the above heading on pages 4696 and 4697, the closing date for applications shown on page 4697, should read "Wednesday, January 10, 1973" and not "Wednesday, January 10, 1972", as printed.

F. W. BYFIELD,
Under Secretary for Lands.

Lands and Surveys Department,
Perth, 22nd December, 1972.

IT is hereby published for general information that the Land Board made the following allocations after hearing evidence at Wundowie on the 12th and at Perth on the 15th December, 1972:—

Avon Locations situated at Wundowie to be sold for residential and/or agricultural purposes.

Avon location 23082, containing 10.92 hectares, to George Gouteff and Beverley May Gouteff, both of 235 Balga Terrace, Wundowie, W.A.

Avon location 23083, containing 10.2 hectares, to Robert Victor Gaden, of Hawke Avenue, Wundowie, W.A.

Avon location 23084, containing 14.09 hectares, to Allan John Terry, of 244 Balga Terrace, Wundowie, W.A.

Avon location 23088, containing 10.52 hectares, to William Herbert Donovan and Sandra May Donovan, both of Lot 1, Margaret Road, Glen Forrest, W.A.

- Avon location 23089, containing 10.55 hectares, to Stanley Bosley Sylvester, of Lot 49 Leawood Crescent, Boya, W.A.
- Avon location 23090, containing 9.63 hectares to Steven Donald Cassidy of 195 Lobelia Avenue, Wundowie W.A., Ian Russell Cassidy of 3 Kingia Avenue, Wundowie, W.A., and Keith Luke Tonkin, of c/- P.O. Wundowie, W.A.
- Plantagenet location 7047, situated about 1 kilometre north of Elleker Townsite and containing about 1.94 hectares, to Neil Bromilow (discharged member of the forces) and Robin Kaye Bromilow, both of 47 Rocky Crossing Road, Albany, W.A.
- Plantagenet location 7048, situated about 1 kilometre north of Elleker Townsite and containing about 13.25 hectares to Herbert James Crichton (discharged member of the forces) and Joan Olive Crichton, both of c/- P.O. Box 696, Albany, W.A.
- Gibson Lot 35, for sale in fee simple for "Residential Purposes" to Brian Stanley Bell and Marie Anne Bell, both of c/- P.O., Scadden, W.A.
- Bremer Bay lots 142 and 143, for sale in fee simple for the purpose of "Light Industry" to Philip Bruce Ramsden, of c/- P.O., Bremer Bay, W.A.
- Lyndon District, Pastoral Lease in the North West Division and containing about 8081 hectares, to Edgar Jeffrey Lefroy, of Ningaloo Station, Carnarvon, W.A. and the Estate of the late Francis Edwin Lefroy.

F. W. BYFIELD,
Under Secretary for Lands.

APPLICATIONS FOR LEASING.

Department of Lands and Surveys,
Perth, 22nd December, 1972.

Corres. 2316/69.

APPLICATIONS are invited under section 117 of the Land Act, 1933-1971, for the leasing of Gascoyne Junction Lot 53 for the purpose of Bulk Fuel Depot for a term of 21 years at a rental of \$15 per annum, subject to the following conditions:—

- (1) The land shall not be used for any purpose other than a "Bulk Fuel Depot without the prior approval in writing of the Minister for Lands.
- (2) The rent shall be subject to reappraisal at the end of the seventh and fourteenth year of the term.
- (3) The lessee shall not without the previous consent in writing of the Minister for Lands assign, transfer, mortgage sublet or part with the possession of the demised land.
- (4) The land shall be occupied and used by the lessee for the purpose specified within nine months of the date of commencement of the lease and thereafter will be continuously so used to the satisfaction of the Minister.
- (5) The lessee shall commence construction within nine months and thereafter continue construction and complete and operate the works within two years from the date of commencement of the lease.
- (6) All buildings, erections, paving, drainage and other works shall be to the approval of the Local Authority and the lessee shall perform, discharge and execute all requisitions and works unto the demised land as are or may be required by any local or public authority operating under any statute by-law or regulation.
- (7) Compensation shall not be payable to the lessee in respect of any improvements effected by him on the demised land and remaining thereon at the expiration or earlier determination of the lease.

- (8) It shall be lawful for the lessee at any time within the three calendar months immediately following the expiration of term or earlier determination of the lease, to take down, remove, and carry away any buildings, structures, improvements and plant the property of the lessee.
- (9) All frontages shall be treated and maintained to give an appearance aesthetically pleasing consistent with the purpose of the lease according to a plan submitted to the Minister for Lands.
- (10) On determination of the lease, the lessee shall fill in, consolidate and level off any unevenness, excavation or hole caused by him during the term of the lease or by removal of his improvements and shall leave the demised land in a clean, neat and tidy condition to the satisfaction of the Minister for Lands and shall remove any or all waste matter as required by the Minister.
- (11) The lessee will assume full responsibility for all damage caused by or due to any escape of oil or other liquid from the pipelines or works of the company.
- (12) The lessee shall at his own expense install and maintain fire-fighting and control equipment to the approval of the Minister.

Applications must be lodged at the Department of Lands and Surveys, Perth, on or before Wednesday, 17th January, 1973, accompanied by a deposit of \$10.

All applications lodged on or before that date will be treated as having been received on the closing date, and if there are more applications than one for the area, the application to be granted will be decided by the Land Board.

(Plan Gascoyne Junction Townsite.)

F. W. BYFIELD,
Under Secretary for Lands.

OPEN FOR SALE

Boulder Lot 499.

Department of Lands and Surveys,
Perth, 22nd December, 1972.

Corres. 8442/99.

HIS Excellency the Governor in Executive Council has been pleased to approve under section 45A of the Land Act, 1933-1971, of Boulder Lot 499 being made available for sale in fee simple for Residential Purposes Only at the purchase price of \$100.00 and subject to the following conditions:—

- (1) The purchaser of the lot shall erect thereon a residence to comply with local authority by-laws within two years from the date of sale. Failure to comply with this condition will render the license forfeitable. A transfer of the license will not be approved and a Crown Grant of the lot will not be issued until the purchaser has complied with the building condition.
- (2) The purchaser of the lot shall be subject to the payment for improvements existing on the lot, should he be other than the owner of such improvements.

Applications, accompanied by a deposit of \$10.00 must be lodged at the Department of Lands and Surveys, Perth, on or before Wednesday, 17th January, 1973.

All applications lodged on or before that date will be treated as having been received on the closing date, and if there are more applications than one for the lot, the application to be granted will be decided by the Land Board.

Balance of purchase money shall be paid within twelve months from the date of approval of the application by four quarterly instalments on the first days of January, April, July and October.

(Plan Kalgoorlie-Boulder, Sheet 3.)

F. W. BYFIELD,
Under Secretary for Lands.

OPEN FOR SALE.

Kalgoorlie Lot 3551.

Department of Lands and Surveys,
Perth, 22nd December, 1972.

Corres. 2878/70.

HIS Excellency the Governor in Executive Council has been pleased to approve under section 45A of the Land Act, 1933-1971, of Kalgoorlie Lot 3551 being made available for sale in fee simple for "Residential Purposes" at the purchase price of \$250.00 and subject to the payment for improvements at valuation, in cash, should the successful applicant be other than the owner of such improvements.

Applications, accompanied by a deposit of \$25.00 must be lodged at the Department of Lands and Surveys, Perth, on or before Wednesday, 17th January, 1973.

All applications lodged on or before that date will be treated as having been received on the closing date, and if there are more applications than one for the lot, the application to be granted will be decided by the Land Board.

Balance of purchase money shall be paid within twelve months from the date of approval of the application by four quarterly instalments on the first days of January, April, July and October.

(Plan Kalgoorlie-Boulder, Sheet 2.)

F. W. BYFIELD,
Under Secretary for Lands.

OPEN FOR SALE

Bolgart Lot 149.

Department of Lands and Surveys,
Perth, 22nd December, 1972.

Corres. 9044/08 V4.

HIS Excellency the Governor in Executive Council has been pleased to approve under section 45A of the Land Act, 1933-1971, of Bolgart Lot 149 being made

available for sale in fee simple for "Residential Purposes Only" at the purchase price of \$200.00 and subject to the following conditions:—

The purchaser of each lot shall erect thereon a residence to comply with local authority by-laws within two years from the date of sale. Failure to comply with this condition will render the licence forfeitable. A transfer of the licence will not be approved and a Crown Grant of the lot will not be issued until the purchaser has complied with the building condition.

Applications, accompanied by a deposit of \$20.00 must be lodged at the Department of Lands and Surveys, Perth, on or before Wednesday, 17th January, 1973.

All applications lodged on or before that date will be treated as having been received on the closing date, and if there are more applications than one for the lot, the application to be granted will be decided by the Land Board.

Balance of purchase money shall be paid within twelve months from the date of approval of the application by four quarterly instalments on the first days of January, April, July and October.

(Plan Bolgart Townsite.)

F. W. BYFIELD,
Under Secretary for Lands.NAMING OF BERNIER ISLAND WILDLIFE
SANCTUARY AND DORRE ISLAND
WILDLIFE SANCTUARY.

Class "A" Reserve No. 24869.

Department of Lands and Surveys,
Perth, 22nd December, 1972.

Corres. 2043/38.

IT is notified for general information that the name of "Bernier Island Wildlife Sanctuary and Dorre Island Wildlife Sanctuary" has been applied to the land contained in Class "A" Reserve No. 24869 (Bernier and Dorre Islands). (Public Plan 75/300.)

F. W. BYFIELD,
Under Secretary for Lands.

LAND OPEN FOR SELECTION

Department of Lands and Surveys,
Perth, 22nd December, 1972.

IT is hereby notified, for general information, that the areas scheduled hereunder are available for selection under Part V of the Land Act, 1933-1971, and the regulations appertaining thereto, subject to the provisions of the said Act.

Applications must be lodged at the Department of Lands and Surveys, Perth, not later than the date specified but may be lodged before such date if so desired.

All applications lodged on or before such date will be treated as having been received on the closing day, and if there are more applicants than one for any block, the application to be granted will be determined by the Land Board. Any lands remaining unselected will continue available until applied for or otherwise dealt with.

If a Land Board sitting becomes necessary, the applicants for the blocks will be duly notified of the date, time, and place of the meeting of the Board, and there shall be an interval of at least seven days between the closing date and the sitting of the Board.

OPEN ON AND AFTER WEDNESDAY, 17th JANUARY, 1973

District and Location No.	Area	Price per hectare	Plan	Corres. No.	Locality
Kent Location 1901 (i) (j) (m)	26.0744 ha	\$ 370.00	418/80 D.1	256-63	About 12 kilometres south-east of Pingrup Townsite

(i) Available under Section 53 of the Land Act.

(j) Subject to Mining Conditions.

(m) Available to adjoining holders and holders of nearby land who are capable, in the opinion of the Minister, of conveniently working their land and this land as one holding.

F. W. BYFIELD,
Under Secretary for Lands.

LOCAL GOVERNMENT ACT, 1960-1971.

Closure of Road.

WHEREAS, The National Mutual Life Association of Australasia Limited, Doust Property Investments Pty. Ltd. and the Minister for Western Australian Government Railways, being the owners of the land over or along which the undermentioned road extends have applied to the Shire of Swan to close the said road which is more particularly described hereunder, that is to say:—

Swan.

Corres. 3039/72.

S. 176. All that portion of Victoria Street, Midland, plus widenings, through Swan Location 7, as shown on Land Titles Office Diagram 39952; from the south eastern alignment of Great Eastern Highway (Road No. 28) to the western alignments of Helena Street. (Public Plans P144-4, P160-4).

And whereas the Council has assented to the said application; and whereas the Governor in Executive Council has approved this request; it is hereby notified that the said road is hereby closed.

F. W. BYFIELD,
Under Secretary for Lands.

LOCAL GOVERNMENT ACT, 1960-1971.

Department of Lands and Surveys,
Perth, 22nd December, 1972.

IT is hereby declared that, pursuant to the resolution of the Shire of Exmouth, passed at a meeting of the Council held on or about 15th May, 1972, the undermentioned lands have been set apart, taken, or resumed under section 17 of the Public Works Act, 1902, for the purpose of a new road, that is to say:—

Exmouth.

3109/71 (R.3943).

Road No. 14849. A strip of land 20.12 metres wide widening at its commencement and terminus, leaving the southern alignment of a surveyed road on the northern boundary of Exmouth Lot 847 (Reserve 31212 and extending as delineated and coloured mid brown on Original Plan 12253 generally southerly along the western and southwestern boundary of the said lot southwestern boundary of portion of Lot 609 and through Crown land to the northwestern alignment of a surveyed road within the Crown land. (Public Plan Exmouth, Sheets 1 and 2.)

AND whereas His Excellency the Governor has declared that the said lands have been set apart, taken, or resumed for the purpose of the said roads, and that plans of the said lands might be inspected at the Department of Lands and Surveys, Perth, it is hereby notified that the lands described above are roads within the meaning of the Local Government Act, 1960-1971, subject to the provisions of the said Act.

By Order of His Excellency,

Dated this 13th day of December, 1972.

H. D. EVANS,
Minister for Lands.

BUSH FIRES ACT, 1954.

(Section 17 (4) (a).)

Postponement of Commencement Date
of Prohibited Burning Times.

Bush Fires Board,
West Perth, 15th December, 1972.

Corres. 416.

IT is hereby notified that the Hon. Minister administering the Bush Fires Act has approved of the further postponement to the 22nd December, 1972 of the commencement of the prohibited burning times declared for the Shire of Rockingham.

All relevant provisions of the Bush Fires Act must be complied with in connection with any fires lit during the period resulting from the postponement.

J. A. W. ROBLEY,
State Bush Fire Control Officer.

BUSH FIRES ACT, 1954.

Suspension of Prohibited Burning Times.

Bush Fires Board,
West Perth, 15th December, 1972.

Corres. 605.

IT is hereby notified that the Hon. Minister administering the Bush Fires Act, 1954, has approved for the districts of the municipalities mentioned and for the periods stated in the schedule hereunder, of the following:—

- (a) Acting under the powers conferred by section 17 subsection (3) (i) of the Bush Fires Act, 1954, of the suspension of all declarations of prohibited burning times under section 17 of the Act, so far as such declarations extend to any land used for Railway purposes; and
- (b) acting under the powers conferred by section 17 subsection (3) (iv) of the Act, of the suspension of all declarations of prohibited burning times under section 17 of the Act so far as such declarations extend to all land on those parts of roads having a common boundary with land used for Railway purposes, as situated between the road formation and the said common boundary.

Any burning undertaken under the provision of this suspension shall be subject to the following conditions:—

- (1) No burning shall be undertaken on any day which the Local Authority or an officer nominated by it prohibits burning on the land affected by these suspensions.
- (2) No burning shall be undertaken on days when the fire hazard forecast issued by the Bureau of Meteorology for the area concerned is "dangerous" except in accordance with the provisions of the Bush Fires Act.
- (3) At least three men shall be constantly in attendance at every fire until it has been completely extinguished including all smouldering logs, timber, disused sleepers and other inflammable material.
- (4) Each man shall be provided with a heavy fire rake and each three men with at least one knapsack spray with sufficient water for its operation.
- (5) Any burning carried out under the provisions of this suspension shall comply with section 18 and all other relevant provisions of the Bush Fires Act, 1954.

J. A. W. ROBLEY,
State Bush Fire Control Officer.

Schedule.

Shire; Period of suspension: from (inc.); to (inc.).
Serpentine-Jarrahdale; 18/12/72; 22/12/72.
Boyp Brook; 18/12/72; 22/12/72.

BUSH FIRES ACT, 1954.

(Section 38.)

Appointment of Bush Fire Control Officers.

Bush Fires Board,
West Perth, 18th December, 1972.

IT is hereby notified that the following Councils have appointed the following persons as bush fire control officers for their municipalities:—

Cranbrook: C. Mitchell.
Denmark: E. Fagan.
Gosnells: A. L. Foster.
Katanning: A. B. Wilson.
Swan: M. P. Johnston, L. B. Marshall, A. R. Bowman and G. H. Park.

THE following appointments have been cancelled:—

Denmark: I. Pringle.
Katanning: J. Moore.

J. A. W. ROBLEY,
State Bush Fire Control Officer.

BUSH FIRES ACT, 1954.
(Section 38.)

Chief Fire Control Officers.

Bush Fires Board,
West Perth, 18th December, 1972.

IT is hereby notified that the Bush Fires Board has approved of the appointment of Mr. M. P. Johnston as chief fire control officer for the Swan Shire Council.

J. A. W. ROBLEY,
State Bush Fire Control Officer.

- (2) in such other positions as is necessary to divide land in excess of 300 acres, each completely surrounded by a firebreak; and
- (3) immediately surrounding any part of the land used for pasture or crop; and
- (4) immediately surrounding all buildings, haystacks and fuel ramps situated on the land;
- (5) immediately surrounding any drum or drums situated on the land which are normally used for the storage of fuel whether they contain fuel or not.

If it is considered to be impracticable for any reason to clear firebreaks as required by this notice, you may apply direct to the bush fire control officer for the area in which the land is situated not later than the 15th day of January for permission to provide firebreaks in alternative positions. No such application will be considered unless it is made in writing and adequately describes the land. When permission has been obtained from the fire control officer to provide firebreaks in alternative positions it is your responsibility to advise the Council in writing that such approval was given. If permission is not granted you shall comply with requirements of this notice.

The penalty for failing to comply with this notice is a fine of not less than \$10 nor more than \$200 and a person in default is also liable, whether prosecuted or not, to pay the cost of performing the work directed in this notice if it is not carried out by the owner or occupier by the date required by this notice.

If requirements of this notice are carried out by burning such burning must be in accordance with the relevant provisions of the Bush Fires Act.

Please note: The above notice includes all bush areas.

Dated this 18th day of December, 1972.

By Order of the Council,
R. W. HERBERT,
Shire Clerk.

BUSH FIRES ACT, 1954.
(Section 17.)

Suspension of Prohibited Burning Times.

Bush Fires Board,
West Perth, 19th December, 1972.
Corres. 617.

IT is hereby notified that the Hon. Minister administering the Bush Fires Act has suspended the operation of the declaration prohibiting the setting fire to bush in that part of the Shire of Kalamunda situated in prohibited burning times zone No. 8 so far as the declaration extends to an area of under five acres of Forest land located at map reference AS.72 on Forests Department Litho Mundaring 80 for the day of 21st December, 1972.

And also for that part of the Shire of Murray situated in prohibited burning times zone No. 8 so far as the declaration extends to an area of under 10 acres of Forest land located at map reference DA.72 on Forests Department Litho Dwellingup 80 for the period 15th January, 1973 to the 29th January, 1973, both dates inclusive.

J. A. W. ROBLEY,
State Bush Fire Control Officer.

Prohibited Period for Ensuing Season.
(All dates inclusive.)

Wannamal—1/12/72 to 14/2/73.
All other areas within the Shire—1/12/72 to 28/2/73.

BUSH FIRES ACT, 1954.
Section 33.

Donnybrook-Balingup Shire Council.

Notice to Owners and Occupiers of Land in the Shire of Donnybrook-Balingup.

PURSUANT to powers contained in section 33 of the above Act, you are hereby required on or before the 31st December, 1972 to clear of all inflammable material firebreaks not less than 60 feet in diameter immediately surrounding all stationary motors or tractors used as stationary motors, excepting electrified units, on land owned or occupied by you and thereafter maintain the firebreaks clear of inflammable material up to and including the 30th March, 1973.

By Order of the Council,
D. A. JONES,
Shire Clerk.

TOWN PLANNING AND DEVELOPMENT ACT,
1928 (AS AMENDED).

Shire of Dandaragan Interim Development
Order No. 2.

T.P.B. 26/3/6/1.

NOTICE is hereby given that His Excellency the Governor in Executive Council has approved of the extension of the Shire of Dandaragan Interim Development Order No. 2 for a further period of 12 months from 14th December, 1972, pursuant to the provisions of section 7B of the Town Planning and Development Act, 1928 (as amended).

E. P. THIEL,
Secretary, Town Planning Board.
18th December, 1972.

BUSH FIRES ACT, 1954.

Notice to All Owners and/or Occupiers of Land in the Shire of Chittering.

PURSUANT to the powers contained in section 33 of the above Act, you are hereby required on or before the 31st day of January, 1973, to clear of all inflammable material firebreaks not less than six feet wide in the following positions on all rural and townsite land owned or occupied by you and thereafter to maintain the firebreaks clear of inflammable material up to and including the 15th day of April, 1973:—

- (1) immediately inside all external boundaries of the land and;

TOWN PLANNING AND DEVELOPMENT ACT,
1928 (AS AMENDED).

Shire of Harvey Interim Development Order No. 3.

T.P.B. 26/6/12/2.

NOTICE is hereby given that His Excellency the Governor in Executive Council has approved of the extension of the Shire of Harvey Interim Development Order No. 3 for a further period of 12 months from 11th December, 1972, pursuant to the provisions of section 7B of the Town Planning and Development Act, 1928 (as amended).

E. P. THIEL,
Secretary, Town Planning Board.
18th December, 1972.

TOWN PLANNING AND DEVELOPMENT ACT,
1928 (AS AMENDED).

Notice that a Town Planning Scheme Amendment has been Prepared and is Available for Inspection.

City of Melville Town Planning Scheme No. 2—
Amendment Nos. 11 and 15.

T.P.B. 853/2/17/5, Pts. M. and P.

NOTICE is hereby given that the Council of the City of Melville in pursuance of its powers under the Town Planning and Development Act, 1928 (as amended) has prepared a Town Planning Scheme amendment for the purpose of—

Amendment No. 11—adding three clauses to the Text to give the Council control over development of Service Stations and the siting of petrol pumps with an expiry date for objections as 22nd March, 1973.

Amendment No. 15—the rezoning of Lot 1 L.T.O. Diagram 44311 corner of Marmion and Baal Streets, Palmyra as a Hall for Public Assembly with an expiry date for objections as 31st January, 1973.

All plans and documents setting out and explaining the amendment have been deposited at Civic Centre, Almondbury Road, Ardross and will be open for inspection without charge during the hours of 9 a.m. to 4 p.m. on all days of the week except Saturdays, Sundays and Public Holidays until and including the 22nd March, 1973 for Amendment No. 11 and 31st January, 1973 for Amendment No. 15.

The plans and documents have also been deposited at the office of the Town Planning Department, Perth and will similarly be open for inspection for the same period between the hours of 10 a.m. and 4 p.m.

Any person desirous of objecting to the amendment should set forth in writing his/her objections and lodge them with The Town Clerk, City of Melville P.O. Box 130, Applecross 6153, on or before the dates specified above.

J. E. ELLIS,
Town Clerk.

TOWN PLANNING AND DEVELOPMENT ACT,
1928 (AS AMENDED).

Notice that a Town Planning Scheme Amendment has been Prepared and is Available for Inspection.

City of South Perth Town Planning Scheme No. 2—
Amendment No. 1.

T.P.B. 853/2/11/2 Pt. B.

NOTICE is hereby given that the Council of the City of South Perth in pursuance of its powers under the Town Planning and Development Act, 1928 (as amended) has prepared a Town Planning Scheme amendment for the purpose of—

- (a) establishing a Special Aged Persons Flat Zone on portions of Lot 2390 and Reserve 25439 Roebuck Drive and on Lots 1, 2 and 3 of Perth Suburban Lot 347 corner Angelo and Onslow Streets;
- (b) establishing a Special Use Zone for Veterinary Clinic on Lot 20 Canning Location 37 Bradshaw Crescent; and
- (c) amending the Scheme Text in relation to Town Houses in GR 5A and 5B Zones and in relation to minimum setbacks from boundaries.

All plans and documents setting out and explaining the amendment have been deposited at Municipal Offices, Civic Centre, South Perth and will be open for inspection without charge during the hours of 8.45 a.m. to 4 p.m. on all days of the week except Saturdays, Sundays and Public Holidays until and including the 18th January, 1973.

The plans and documents have also been deposited at the office of the Town Planning Department, Perth and will similarly be open for inspection for the same period between the hours of 10 a.m. and 4 p.m.

Any person desirous of objecting to the amendment should set forth in writing his/her objections and lodge them with The Town Clerk, City of South Perth, South Perth 6151, on or before the 18th January, 1973.

P. A. BENNETTS,
Town Clerk.

TOWN PLANNING AND DEVELOPMENT ACT,
1928 (AS AMENDED).

Notice that a Town Planning Scheme Amendment has been Prepared and is Available for Inspection.

Shire of Gosnells Town Planning Scheme No. 1—
Amendment No. 53.

T.P.B. 853/2/25/1, Pt. 31.

NOTICE is hereby given that the Gosnells Shire Council in pursuance of its powers under the Town Planning and Development Act, 1928 (as amended) has prepared a Town Planning Scheme amendment for the purpose of rezoning Lots 1091 to 1094 inclusive Albany Highway to Shops and Local Business with the rear portions as Regional and Local Public Open Space reservations.

All plans and documents setting out and explaining the amendment have been deposited at Council Offices, Shire of Gosnells, 1905 Albany Highway, Maddington and will be open for inspection without charge during the hours of 9 a.m. to 4.30 p.m. on all days of the week except Saturdays, Sundays and Public Holidays until and including the 22nd March, 1973.

The plans and documents have also been deposited at the office of the Town Planning Department, Perth and will similarly be open for inspection for the same period between the hours of 10 a.m. and 4 p.m.

Any person desirous of objecting to the amendment should set forth in writing his/her objections and lodge them with The Shire Clerk, Shire of Gosnells, P.O. Box 23, Gosnells 6110, on or before the 22nd March, 1973.

H. W. WALKER,
Shire Clerk.

TOWN PLANNING AND DEVELOPMENT ACT,
1928 (AS AMENDED).

Notice that a Town Planning Scheme Amendment has been Prepared and is Available for Inspection.

Shire of Kalamunda Town Planning Scheme
Amendment.

T.P.B. 853/2/24/3, Pt. 36.

NOTICE is hereby given that the Kalamunda Shire Council in pursuance of its powers under the Town Planning and Development Act, 1928 (as amended) has prepared a Town Planning Scheme amendment for the purpose of rezoning Lots 51 and 52 of Swan Location 31 Epsom Avenue, Forrestfield from Rural to Urban Development.

All plans and documents setting out and explaining the amendment have been deposited at Council Offices, Canning Road, Kalamunda and will be open for inspection without charge during the hours of 9 a.m. to 4.30 p.m. on all days of the week except Saturdays, Sundays and Public Holidays until and including the 22nd January, 1973.

The plans and documents have also been deposited at the office of the Town Planning Department, Perth and will similarly be open for inspection for the same period between the hours of 10 a.m. and 4 p.m.

Any person desirous of objecting to the amendment should set forth in writing his/her objections and lodge them with The Shire Clerk, Shire of Kalamunda, P.O. Box 42, Kalamunda 6076, on or before the 22nd January, 1973.

L. F. O'MEARA,
Shire Clerk.

TOWN PLANNING AND DEVELOPMENT ACT,
1928 (AS AMENDED).

Advertisement of Resolution Deciding to Prepare
a Town Planning Scheme.

Town Planning Scheme No. 7A.

NOTICE is hereby given that the Shire Council of
Wanneroo on the 22nd November, 1972 passed the
following resolution:—

Resolution Deciding to prepare a Town
Planning Scheme.

Lands wholly within the Shire of Wanneroo.

Town Planning Scheme No. 7A.

RESOLVED that the Council, in pursuance of section 7 of the Town Planning and Development Act (as amended), prepare the above Town Planning Scheme with reference to an area situate wholly within the Shire of Wanneroo and enclosed within the inner edge of the Broken Black border on a plan now produced to the Council, and marked and certified by The Shire Clerk under his hand dated 22nd November, 1972, as "Scheme Area Map".

Dated this 14th day of December, 1972.

N. S. BENNETTS,
Shire Clerk.

PUBLIC WORKS ACT, 1902-1972.

Sale of Land.

P.V.O. 614/71.

NOTICE is hereby given that His Excellency the Governor has authorised under section 29 (7) of the Public Works Act, 1902-1972, the sale by Private Contract or Public Auction of the land hereinafter described, such land being no longer required for the work for which it was taken.

Land.

Those parts of Fremantle Town Lots 275, 276, 292 and 293 contained on Diagram 42936 being part of the land contained in Certificates of Title Volume 1242 Folio 668 and Volume 1277, Folio 582.

Dated this 22nd day of December, 1972.

T. J. LEWIS,
Under Secretary for Works.

PORT HEDLAND PORT AUTHORITY ACT,
1970.

APPLICATIONS are invited, in accordance with the provisions of section 25 of the above Act, for the lease of Part Lot 29082, comprising 0.028 acres of land within the port reserve. Address replies to the General Manager, Post Office Box 2, Port Hedland.

J. R. D. SANDISON,
General Manager,
Port Hedland Port Authority.

SHIPPING AND PILOTAGE ACT, 1967, THE JETTIES ACT, 1926-1965, AND
WESTERN AUSTRALIAN MARINE ACT, 1948-1972.

Harbour and Light Department,
Fremantle, 13th December, 1972.

HIS Excellency the Governor in Executive Council, acting pursuant to the Shipping and Pilotage Act, 1967, the Jetties Act, 1926-1965 and the Western Australian Marine Act, 1948-1972, has been pleased to make the regulations set out in the Schedule hereto.

A. M. FULLER,
Manager.

Schedule.

Regulations.

1. In these regulations the Navigable Waters Regulations, as reprinted pursuant to the Reprinting of Regulations Act, 1954, and published in the *Government Gazette* on the 28th April, 1970, and thereafter amended from time to time by notices so published are referred to as the principal regulations.

2. Regulation 2 of the principal regulations is amended by substituting for the interpretation "motor boat" the following interpretation:—

"motor boat" means a vessel propelled by any means other than oars or sail and includes a speed boat and a sailing vessel which is equipped with propelling machinery and propelled by mechanical power;

3. Paragraph (b) of regulation 8 of the principal regulations is amended by substituting for the word "section" in line one the word "regulation".

4. The principal regulations are amended by adding after regulation 19B the following regulations:—

19C. (1) The master or person in charge of a vessel that is engaged in diving operations shall, at all times during which the vessel is so engaged, cause to be exhibited on the vessel so as to be clearly visible to all approaching vessels at all times, the International Code Flag "A" (a swallow tailed flag having two vertical halves; the inner being white and the outer blue, indicating "diver below").

(2) The International Code Flag "A" referred to in subregulation (1) of this regulation shall be of the following dimensions:—

(a) in the case of a flag displayed on a vessel less than 12 metres in length, a flag of size 6 of the International Flag Code, or, not less than 750 millimetres in length and not less than 600 millimetres in width.

(b) in the case of a flag displayed on a vessel exceeding 12 metres in length, a flag of size 3 of the International Flag Code, or, not less than 900 millimetres in length and not less than 750 millimetres in width.

19D. (1) Where a diver is engaged in diving operations, other than from a vessel, the diver may cause to be exhibited from a personal buoy, so as to be clearly visible to all approaching vessels, the International Code Flag "A".

(2) The International Code Flag "A" referred to in subregulation (1) of this regulation shall be not less than 300 millimetres in length and not less than 200 millimetres in width.

19E. The master or person in charge of a vessel approaching a personal buoy or another vessel displaying International Code Flag "A" shall—

- (a) keep his vessel at least 50 metres clear of such buoy or vessel; or
- (b) where it is not possible to keep 50 metres clear of such buoy or vessel, reduce the speed of his vessel to the slowest speed at which it can be safely navigated whilst passing within 50 metres of the vessel or buoy displaying the flag.

19F. (1) When it is alleged that a vessel has been involved in the commission of an offence against any of the provisions of these regulations, an officer of the department may demand from the owner or person for the time being in charge of the vessel, the name and the address of the driver of the vessel at the time of the alleged offence.

(2) If the owner, or person for the time being in charge of the vessel, refuses on demand to identify or supply the name and address of the driver of the vessel he commits an offence unless he can prove there are reasonable grounds for him not having knowledge of the driver's identity.

Penalty: Two hundred dollars.

5. Regulation 45B of the principal regulations is amended by adding a subregulation (4) to read as follows:—

(4) A person shall not use or have in any navigable waters a registrable vessel unless the registration number allotted to that vessel pursuant to this regulation is legibly marked—

- (a) in the case of a registrable vessel designed for, or capable of a speed in excess of twelve knots, in numerals of not less than six inches in height and one inch in width on both sides of the hull towards the bow; and
- (b) in the case of registrable vessels other than those referred to in paragraph (a) of this subregulation, in numerals on the hull, of not less than two inches in height and half an inch in width in such a position to be clearly discernible at all times together with the name (if any) of the vessel.

6. The principal regulations are amended by revoking regulation 47 and the heading "Registration of Boats".

7. The principal regulations are amended by revoking regulation 47A and the heading "Identification of Boats".

8. The principal regulations are amended by revoking subparagraph (ii) of paragraph (d) of regulation 48.

P.V.O. 601/72 ; Ex. Co. No. 3743

Local Government Act, 1960-1972 ; Public Works Act, 1902-1972

LAND ACQUISITION

Wagin Sportsground (Extensions)

NOTICE is hereby given, and it is hereby declared, that the several pieces or parcels of land described in the Schedule hereto—being all in the Town of Wagin—have, in pursuance of the written approval and consent of His Excellency the Governor, acting by and with the advice of the Executive Council, dated the 13th day of December, 1972, been compulsorily taken and set apart for the purposes of Wagin Sportsground (Extensions).

And further notice is hereby given that the said pieces or parcels of land so taken and set apart are shown marked off on Plan P.W.D., W.A. 47659, which may be inspected at the Office of the Minister for Works, Perth.

And it is hereby directed that the said lands shall vest in the Shire of Wagin for an estate in fee simple in possession for the purpose herein expressed, freed and discharged from all trusts, mortgages, charges, obligations, estates, interests, rights-of-way, or other easements whatsoever.

SCHEDULE

No. on Plan P.W.D., W.A. No. 47659	Owner or Reputed Owner	Description	Area
1	Shire of Wagin	That portion of Wagin Town Lot 257 contained on Diagram 36222, being part of the land comprised in Certificate of Title Volume 1207, Folio 191	48 m ²
2	Ivy Vera Sugg	That portion of Wagin Town Lot 256 contained on Diagram 36222 and being portion of the land comprised in Certificate of Title Volume 1200, Folio 128	243 m ²
3	Thomas Elvidge Batty and Kathleen Isobel Batty	That portion of Wagin Town Lot 255 contained on Diagram 36222, being part of the land comprised in Certificate of Title Volume 1158, Folio 489	259 m ²
4	Kenneth Milton Draper	That portion of Wagin Town Lot 254 contained on Diagram 36222, being part of the land comprised in Certificate of Title Volume 1166, Folio 516	275 m ²

Certified correct this 27th day of November, 1972.

C. J. JAMIESON,
Minister for Works.

DOUGLAS KENDREW,
Governor in Executive Council.

Dated this 13th day of December, 1972.

P.V.O. 419/67 ; Ex. Co. No. 3748

Metropolitan Water Supply, Sewerage and Drainage Act, 1909-1972 ; Public Works Act, 1902-1972

LAND ACQUISITION

Metropolitan Water Supply, Sewerage and Drainage Board—30 in. Main to Hamilton Hill Reservoir from Serpentine Trunk Main

NOTICE is hereby given, and it is hereby declared, that the several pieces or parcels of land described in the Schedule hereto—being all in the Canning District—have, in pursuance of the written approval and consent of His Excellency the Governor, acting by and with the advice of the Executive Council, dated the 13th day of December, 1972, been compulsorily taken and set apart for the purposes of the following public work, namely :—Metropolitan Water Supply, Sewerage and Drainage Board—30 in. Main to Hamilton Hill Reservoir from Serpentine Trunk Main.

And further notice is hereby given that the said pieces or parcels of land so taken and set apart are shown marked off on Plan P.W.D., W.A. 47696, which may be inspected at the Office of the Minister for Works, Perth.

And it is hereby directed that the said lands shall vest in the Metropolitan Water Supply, Sewerage and Drainage Board for an estate in fee simple in possession for the public work herein expressed, freed and discharged from all trusts, mortgages, charges, obligations, estates, interests, rights-of-way, or other easements whatsoever.

SCHEDULE

No. on Plan P.W.D., W.A. No. 47696	Owner or Reputed Owner	Description	Area
1	Vulcan Investments Pty. Limited and Bentley Enterprises Pty. Ltd.	Portion of Canning Location 21, being Lot 1 on Diagram 43778 and being part of the land comprised in Certificates of Title Volume 1220, Folio 930 and Volume 1270, Folio 492	4 477 m ²

Certified correct this 30th day of November, 1972.

C. J. JAMIESON,
Minister for Works.

DOUGLAS KENDREW,
Governor in Executive Council.

Dated this 13th day of December, 1972.

P.V.O. 740/72 ; Ex. Co. No. 3749

Local Government Act, 1960-1972 ; Public Works Act, 1902-1972

LAND ACQUISITION

Town of Canning—Community Hall

NOTICE is hereby given, and it is hereby declared, that the several pieces or parcels of land described in the Schedule hereto—being all in the Canning District—have, in pursuance of the written approval and consent of His Excellency the Governor, acting by and with the advice of the Executive Council, dated the 13th day of December, 1972, been compulsorily taken and set apart for the purposes of Town of Canning—Community Hall.

And further notice is hereby given that the said pieces or parcels of land so taken and set apart are shown marked off on Plan P.W.D., W.A. 47710, which may be inspected at the Office of the Minister for Works, Perth.

And it is hereby directed that the said lands shall vest in the Town of Canning for an estate in fee simple in possession for the purpose herein expressed, freed and discharged from all trusts, mortgages, charges, obligations, estates, interests, rights-of-way, or other easements whatsoever.

SCHEDULE

No. on Plan P.W.D., W.A. No. 47710	Owner or Reputed Owner	Description	Area
1	Daniel Thomas Prunster, Denise Patricia Prunster, Wallace Geoffrey Wright and Mona Patricia Wright	Portion of Canning Location 2, being part Lot 213 on Plan 1904 and being the whole of the land comprised in Certificate of Title Volume 462, Folio 154A	2 082 m ²

Certified correct this 1st day of December, 1972.

C. J. JAMIESON,
Minister for Works.

DOUGLAS KENDREW,
Governor in Executive Council.

Dated this 13th day of December, 1972.

P.V.O. 854/71 ; Ex. Co. No. 3744

Town Planning and Development Act, 1928-1972 ; Public Works Act, 1902-1972

LAND ACQUISITION

Town of Cockburn—Town Planning Scheme No. 5 Newton Street (North) Scheme

NOTICE is hereby given, and it is hereby declared, that the several pieces or parcels of land described in the Schedule hereto—being all in the Cockburn District—have, in pursuance of the written approval and consent of His Excellency the Governor, acting by and with the advice of the Executive Council, dated the 13th day of December, 1972, been compulsorily taken and set apart for the purposes of Town of Cockburn—Town Planning Scheme No. 5 Newton Street (North) Scheme.

And further notice is hereby given that the said pieces or parcels of land so taken and set apart are shown marked off on Plan P.W.D., W.A. 47205, which may be inspected at the Office of the Minister for Works, Perth.

And it is hereby directed that the said lands shall vest in the Town of Cockburn for an estate in fee simple in possession for the purpose herein expressed, freed and discharged from all trusts, mortgages, charges, obligations, estates, interests, rights-of-way, or other easements whatsoever.

SCHEDULE

No. on Plan P.W.D., W.A. No. 47205	Owner or Reputed Owner	Description	Area
			a.r.p.
1	Petar Bozaniich and Violet Bozaniich	Portion of Cockburn Sound Location 561, being that part of Lot 7 marked R.O.W. on Diagram 43898 and being part of the land comprised in Certificate of Title Volume 1049, Folio 10	11.8

Certified correct this 27th day of November, 1972.

C. J. JAMIESON,
Minister for Works.

DOUGLAS KENDREW,
Governor in Executive Council.

Dated this 13th day of December, 1972.

P.V.O. 163/71 ; Ex. Co. No. 3750

Local Government Act, 1960-1972 ; Public Works Act, 1902-1972

LAND ACQUISITION

Shire of Gingin—Public Recreation

NOTICE is hereby given, and it is hereby declared, that the several pieces or parcels of land described in the Schedule hereto—being all in the Swan District—have, in pursuance of the written approval and consent of His Excellency the Governor, acting by and with the advice of the Executive Council, dated the 13th day of December, 1972, been compulsorily taken and set apart for the purposes of Shire of Gingin—Public Recreation.

And further notice is hereby given that the said pieces or parcels of land so taken and set apart are shown marked off on Plan P.W.D., W.A. 47135, which may be inspected at the Office of the Minister for Works, Perth.

And it is hereby directed that the said lands shall vest in the Shire of Gingin for an estate in fee simple in possession for the purpose herein expressed, freed and discharged from all trusts, mortgages, charges, obligations, estates, interests, rights-of-way, or other easements whatsoever.

SCHEDULE

No. on Plan P.W.D., W.A. No. 47135	Owner or Reputed Owner	Description	Area
1	Llewellyn Joseph Hawthorn Newnan, Executor of the Estate of William Leslie Stephens (deceased)	Portion of Swan Location 1374, being Lot 1 on Diagram 44080 and being part of the land comprised in Certificate of Title Volume 1284, Folio 571	5 362 m ²

Certified correct this 30th day of November, 1972.

C. J. JAMIESON,
Minister for Works.

DOUGLAS KENDREW,
Governor in Executive Council.

Dated this 13th day of December, 1972.

P.V.O. 747/71 ; Ex. Co. No. 3747

Public Works Act, 1902-1972

LAND RESUMPTION

O'Connor Fire Station

NOTICE is hereby given, and it is hereby declared, that the several pieces or parcels of land described in the Schedule hereto—being all in the Cockburn Sound District—have, in pursuance of the written approval and consent of His Excellency the Governor, acting by and with the advice of the Executive Council, dated the 13th day of December, 1972, been set apart, taken, or resumed for the purposes of the following public work, namely:—O'Connor Fire Station.

And further notice is hereby given that the said pieces or parcels of land so set apart, taken, or resumed are marked off and more particularly described on Plan P.W.D., W.A. 47711, which may be inspected at the Office of the Minister for Works, Perth.

And it is hereby directed that the said lands shall vest in Her Majesty for an estate in fee simple in possession for the public work herein expressed, freed and discharged from all trusts, mortgages, charges, obligations, estates, interests, rights-of-way or other easements whatsoever.

SCHEDULE

No. on Plan P.W.D., W.A. No. 47711	Owner or Reputed Owner	Description	Area
1	Western Australian Fire Brigades Board	Portion of Cockburn Sound Location 551, being Lot 12 on Diagram 31401 and being the whole of the land contained in Certificate of Title Volume 490, Folio 42A	1-048 9 ha

Certified correct this 30th day of November, 1972.

C. J. JAMIESON,
Minister for Works.

DOUGLAS KENDREW,
Governor in Executive Council.

Dated this 13th day of December, 1972

L. & S. 386/29 (R. 3520).

Public Works Act, 1902 ; Local Government Act, 1960

NOTICE OF INTENTION TO TAKE OR RESUME LAND

THE Minister for Works hereby gives notice, in accordance with the provisions of section 17 (2) of the Public Works Act, 1902, that it is intended to compulsorily acquire, on behalf of the Town of Canning, under section 17 (1) of that Act, the several pieces or parcels of land described in the Schedule hereto, for Road Purposes, and that the said pieces or parcels of land are marked off on Original Plan 11783, copies of which may be inspected at the Office of the Minister for Lands, Perth, and at the Office of the Town of Canning.

SCHEDULE

No.	Owner or Reputed Owner	Occupier or Reputed Occupier	Description	Area
1	John Gwynn Harrold	J. G. Harrold	Portion of Canning Location 2, and being part of Lot 160 on Plan 2731 (Certificate of Title Volume 1090, Folio 438)	13 m ²
2	J. J. O'Donnell Pty. Ltd.	J. J. O'Donnell Pty. Ltd.	Portion of Canning Location 2, and being part of Lot 161 on Plan 2731 (Certificate of Title Volume 1090, Folio 439)	35 m ²
3	Ronald James Oliver and Shirley Freida Oliver	R. J. Oliver and S. F. Oliver	Portion of Canning Location 2, and being part of Lot 162 on Plan 2731 (Certificate of Title Volume 1280, Folio 981)	58 m ²
4	J. J. O'Donnell Pty. Ltd.	J. J. O'Donnell Pty. Ltd.	Portion of Canning Location 2, and being part of Lot 28 on Diagram 12279 (Certificate of Title Volume 1136, Folio 904)	81 m ²
5	Commonwealth Savings Bank of Australia	Commonwealth Savings Bank of Australia	Portion of Canning Location 2, and being part of Lot 2 on Diagram 40496 (Certificate of Title Volume 395, Folio 157A)	30 m ²
6	Leslie Laurence Grafton and Winifred May Grafton	L. L. Grafton and W. M. Grafton	Portion of Canning Location 2, and being part of Lot 187 on Plan 2731 (Certificate of Title Volume 169, Folio 55A)	76 m ²
7	Bentley Shopping Centre Pty. Ltd.	Bentley Shopping Centre Pty. Ltd.	Portion of Canning Location 2, and being Lot 20, the subject to Diagram 43102 Certificate of Title Volume 1327, Folio 967	2 684 m ²
8	The National Mutual Life Association of Australasia Ltd.	Bentley Shopping Centre Pty. Ltd. Caveat A533989	Portion of Canning Location 2, and being Lot 20 the subject of Diagram 43102 (Certificate of Title Volume 1327, Folio 968)	2 684 m ²
9	Norm Alfred Grant	N. A. Grant	Portion of Canning Location 2, and being part of Lot 188 on Deposited Plan 2731 (Certificate of Title Volume 440, Folio 92)	25 m ²
10	J. J. O'Donnell Pty. Ltd.	J. J. O'Donnell Pty. Ltd.	Portion of Canning Location 2, and being part of Lot 29 on Diagram 12279 (Certificate of Title Volume 1136, Folio 930)	73 m ²

Dated this 22nd day of December, 1972.

F. W. BYFIELD,
Under Secretary for Lands.

L. & S. 8028/05 (R. 3815)

Public Works Act, 1902 ; Local Government Act, 1960

NOTICE OF INTENTION TO TAKE OR RESUME LAND

THE Minister for Works hereby gives notice, in accordance with the provisions of section 17 (2) of the Public Works Act, 1902, that it is intended to compulsorily acquire, on behalf of the Shire of Boyup Brook, under section 17 (1) of that Act, the several pieces or parcels of land described in the Schedule hereto, for Road Purposes, and that the said pieces or parcels of land are marked off on Lands and Surveys Diagram 75878, copies of which may be inspected at the Office of the Minister for Lands, Perth, and at the Office of the Shire of Boyup Brook.

SCHEDULE

No.	Owner or Reputed Owner	Occupier or Reputed Occupier	Description	Area
1	Roger Korn	R. Korn	Portion of Nelson Location 6680 (Certificate of Title Volume 1061, Folio 470)	3 116 m ²

Dated this 22nd day of December, 1972.

F. W. BYFIELD,
Under Secretary for Lands.

L. & S. 2066/68 (R. 3818)

Public Works Act, 1902 ; Local Government Act, 1960

NOTICE OF INTENTION TO TAKE OR RESUME LAND

THE Minister for Works hereby gives notice, in accordance with the provisions of section 17 (2) of the Public Works Act, 1902, that it is intended to compulsorily acquire, on behalf of the Shire of Corrigin, under section 17 (1) of that Act, the several pieces or parcels of land described in the Schedule hereto, for Road Purposes, and that the said pieces or parcels of land are marked off on Lands and Surveys Diagram 74130, copies of which may be inspected at the Office of the Minister for Lands, Perth, and at the Office of the Shire of Corrigin.

SCHEDULE

No.	Owner or Reputed Owner	Occupier or Reputed Occupier	Description	Area
1	Cyril Edward Gill	C. E. Gill	Portion of Avon Location 23926 (Certificate of Title Volume 1091, Folio 719)	2 340 m ²
2	Eric Hewett	E. Hewett	Portion of Avon Location 19637 (Certificate of Title Volume 1308, Folio 6)	3 931 m ²
3	Arthur Leslie Creek	A. L. Creek	Portion of Avon Location 16740 (Certificate of Title Volume 1329, Folio 292)	1 451 9 ha

Dated this 22nd day of December, 1972.

F. W. BYFIELD,
Under Secretary for Lands.

L. & S. 6660/51 (R. 3926)

Public Works Act, 1902 ; Local Government Act, 1960

NOTICE OF INTENTION TO TAKE OR RESUME LAND

THE Minister for Works hereby gives notice, in accordance with the provisions of section 17 (2) of the Public Works Act, 1902, that it is intended to compulsorily acquire, on behalf of the Shire of Mundaring, under section 17 (1) of that Act, the several pieces or parcels of land described in the Schedule hereto for Road Purposes, and that the said pieces or parcels of land are marked off on Lands and Surveys Diagram 66496, copies of which may be inspected at the Office of the Minister for Lands, Perth, and at the Office of the Shire of Mundaring.

SCHEDULE

No.	Owner or Reputed Owner	Occupier or Reputed Occupier	Description	Area
....	Herbert Jefferson	H. Jefferson	Portion of Mount Helena Lot 218 Special Lease 342/3102	33 m ²

Dated this 22nd day of December, 1972.

F. W. BYFIELD,
Under Secretary for Lands.

L. & S. 8558/09 (R. 3863)

Public Works Act, 1902; Local Government Act, 1960

NOTICE OF INTENTION TO TAKE OR RESUME LAND

THE Minister for Works hereby gives notice, in accordance with the provisions of section 17 (2) of the Public Works Act, 1902, that it is intended to compulsorily acquire, on behalf of the Shire of Quairading, under section 17 (1) of that Act, the several pieces or parcels of land described in the Schedule hereto, for Road Purposes, and that the said pieces or parcels of land are marked off on Lands and Surveys Diagram 75922, copies of which may be inspected at the Office of the Minister for Lands, Perth, and at the Office of the Shire of Quairading.

SCHEDULE

No.	Owner or Reputed Owner	Occupier or Reputed Occupier	Description	Area
1	Peter Douglas Wills	P. D. Wills	Portion of Avon Location 17570 (Certificate of Title Volume 1119, Folio 970)	8 094 m ²
2	Peter Douglas Wills	P. D. Wills	Portion of Avon Location 10858 (Certificate of Title Volume 1078, Folio 531)	9 131 m ²

Dated this 22nd day of December, 1972.

F. W. BYFIELD,
Under Secretary for Lands.

L. & S. 2345/27 (R. 3787)

Public Works Act, 1902; Local Government Act, 1960

NOTICE OF INTENTION TO TAKE OR RESUME LAND

THE Minister for Works hereby gives notice, in accordance with the provisions of section 17 (2) of the Public Works Act, 1902, that it is intended to compulsorily acquire, on behalf of the Shire of Ravensthorpe, under section 17 (1) of that Act, the several pieces or parcels of land described in the Schedule hereto, for Road Purposes, and that the said pieces or parcels of land are marked off on Lands and Surveys Diagram 75889, copies of which may be inspected at the Office of the Minister for Lands, Perth, and at the Office of the Shire of Ravensthorpe.

SCHEDULE

No.	Owner or Reputed Owner	Occupier or Reputed Occupier	Description	Area
1	Ian Trevor Murdock	I. T. Murdock	Portion of Oldfield Location 459, Crown Lease 347/13543	3 799 0 h
2	Ian Trevor Murdock	I. T. Murdock	Portion of Oldfield Location 348, Crown Lease 347/7114	3 604 m ²

Dated this 22nd day of December, 1972.

F. W. BYFIELD,
Under Secretary for Lands.

L. & S. 3443/11 (R. 3866)

Public Works Act, 1902; Local Government Act, 1960

NOTICE OF INTENTION TO TAKE OR RESUME LAND

THE Minister for Works hereby gives notice, in accordance with the provisions of section 17 (2) of the Public Works Act, 1902, that it is intended to compulsorily acquire, on behalf of the Shire of Tammin, under section 17 (1) of that Act, the several pieces or parcels of land described in the Schedule hereto, for Road Purposes, and that the said pieces or parcels of land are marked off on Lands and Surveys Original Plan 12196, copies of which may be inspected at the Office of the Minister for Lands, Perth, and at the Office of the Shire of Tammin.

SCHEDULE

No.	Owner or Reputed Owner	Occupier or Reputed Occupier	Description	Area
1	Reginald Russell, Reginald Denis Russell, Kevin Brian Russell, Trevor John Russell and Margaret Maisie Russell	R., R. D., K. B., T. J., and M. M. Russell	Portion of Avon Location 9002 (Certificate of Title Volume 17, Folio 395A)	9 637 m ²
2	Nornadeen Pty. Ltd.	Nornadeen Pty. Ltd.	Portion of Avon Location 6538 (Certificate of Title Volume 922, Folio 178)	5 360 m ²
3	Nornadeen Pty. Ltd.	Nornadeen Pty. Ltd.	Portion of Avon Location 20857 (Certificate of Title Volume 1209, Folio 108)	3 442 m ²

Dated this 22nd day of December, 1972.

F. W. BYFIELD,
Under Secretary for Lands.

Main Roads Act, 1930-1972; Public Works Act, 1902-1972

M.R.D .527/70

NOTICE OF INTENTION TO TAKE OR RESUME LAND

THE Minister for Works hereby gives notice, in accordance with the provisions of section 17 (2) of the Public Works Act, 1902-1972, that it is intended to take or resume, under section 17 (1) of that Act, the pieces or parcels of land described in the Schedule hereto, and being all in the Swan and Mahogany Creek Districts, for the purpose of the following public work, namely, widening the Great Eastern Highway at Mundaring, and that the said pieces or parcels of land are marked off on Plan M.R.D., W.A. 7031-304, 305, 306-1, 307, 308, 310, 240, 241, 242, 243, 245-1, 246-1, 247-1, 248-1, 249-1, 250 and 251, which may be inspected at the Office of the Commissioner of Main Roads, Waterloo Crescent, East Perth.

SCHEDULE

No.	Owner or Reputed Owner	Occupier or Reputed Occupier	Description	Area (approx.)
1	Alexander William Simpson	A. W. Simpson	Portion of Swan Location 2029 (Certificate of Title Volume 782, Folio 16)	1 588 m ²
2	Pittard Family Investments Pty. Ltd.	Pittard Family Investments Pty. Ltd.	Portion of Swan Location 2027 (Certificate of Title Volume 964, Folio 122)	1.15 ha
3	Mary Low and Herbert Assheton Craven-Smith-Milnes	M. Low and H. A. Craven-Smith-Milnes	Portion of Swan Location 97, being part of Lot 9 on Diagram 3456 (Certificate of Title Volume 163, Folio 118A)	6 007 m ²
4	Patricia Ruth Kretchmer...	P. R. Kretchmer	Portion of Swan Location 97, being part of Lot 2 on Diagram 7126 (Certificate of Title Volume 1098, Folio 465)	2 587 m ²
5	Mary Low and Herbert Assheton Craven-Smith-Milnes	Harry Dehl and Maria Dehl (Purchasers under Contract of Sale <i>vide</i> Caveat 1833/1969)	Portion of Swan Location 97, being part of Lot 9 on Diagram 3456 (Certificate of Title Volume 163, Folio 119A)	2 461 m ²
6	Giovanni Bruno Casotti	G. B. Casotti	Portion of Swan Location 97, the subject of Diagram 3073 (Certificate of Title Volume 1254, Folio 522)	4 123 m ²
7	William Adrian McGrath and Eleanor Lovell McGrath	W. A. and E. L. McGrath....	Portion of Swan Location 97, being part of Lot 3 on Diagram 3646 (Certificate of Title Volume 572, Folio 122)	465 m ²
8	William Adrian McGrath and Eleanor Lovell McGrath	W. A. and E. L. McGrath....	Portion of Swan Location 97, being part of Lot 35 on Diagram 3456 (Certificate of Title Volume 1264, Folio 244)	850 m ²
9	Edward Thomas Aubrey	E. T. Aubrey	Portion of Swan Location 97, being part of Lot 5 on Diagram 22760 (Certificate of Title Volume 1282, Folio 366)	245 m ²
10	Alexander Stanley Dunning and Dorothy Isobel Dunning	A. S. and D. I. Dunning	Portion of Swan Location 97, being part of Lot 4 on Diagram 22760 (Certificate of Title Volume 1282, Folio 367)	263 m ²
11	Carmelo Iacouantuono	C. Iacouantuono	Portion of Swan Location 97, being part of Lot 2 on Diagram 34781 (Certificate of Title Volume 51, Folio 132A)	157 m ²
12	Francesco Spina and Maria Spina	F. and M. Spina	Portion of Swan Location 97, being part of Lot 68 on Diagram 3456 (Certificate of Title Volume 1103, Folio 66)	1 270 m ²
13	Marjorie Emily Coles	M. E. Coles....	Portion of Swan Location 97, being part of Lot 69 on Diagram 3456 (Certificate of Title Volume 1298, Folio 344)	1 351 m ²
14	Bonnetterre Pty. Ltd.	Bonnetterre Pty. Ltd.	Portion of Swan Location 97, being part of Lot 70 on Diagram 3456 (Certificate of Title Volume 1186, Folio 423)	1 851 m ²
15	Leonard Henry Hobbs and Lillian Loretta Hobbs	L. H. and L. L. Hobbs	Portion of Swan Location 97, being part of Lot 71 on Diagram 3456 (Certificate of Title Volume 1182, Folio 956)	1 750 m ²
16	Andrew Carrington Todd....	A. C. Todd	Portion of Swan Location 97, being part of Lot 72 on Diagram 3456 (Certificate of Title Volume 608, Folio 129A)	1 558 m ²
17	Herbert Samuel Randell and Barbara Kathleen Randell	H. S. and B. K. Randell	Portion of Mahogany Creek Location 55, being part of Lot 6 on Diagram 28119 (Certificate of Title Volume 27, Folio 300A)	2 785 m ²

Dated this 15th day of December, 1972.

F. PARRICK,
Secretary, Main Roads.METROPOLITAN WATER SUPPLY, SEWERAGE,
AND DRAINAGE ACT, 1909-1972.Metropolitan Water Supply,
Sewerage and Drainage Board,
Perth, 13th December, 1972.

M.W.B. 821781/72.

HIS Excellency the Governor in Executive Council, acting pursuant to the powers conferred by the Metropolitan Water Supply, Sewerage and Drainage Act, 1909-1972 has been pleased:—

- to approve of the Board carrying out the works described in the Schedule hereunder; and
- to exempt the works from the provisions of sections 20, 21, 22 and 23 of the Act.

H. E. J. HEWITT,
General Manager.

Schedule.

Metropolitan Water Supply.
City of Stirling-Osborne Park.

The construction of a fifteen-inch diameter steel watermain approximately three thousand two hundred feet in length. Commencing at the intersection of King Edward Road and Hector Street and proceeding thence in a southeasterly direction along Hector Street, to the intersection of Hector Street, and Frobisher Street and terminating thereat. The above works to be complete with valves and all other necessary apparatus and as shown on plan M.W.B. 11705.

METROPOLITAN WATER SUPPLY SEWERAGE AND DRAINAGE BOARD.

Metropolitan Sewerage.

Notice of Intention.

M.W.B. 568611/72.

NOTICE is hereby given, pursuant to section 20 of the Metropolitan Water Supply Sewerage and Drainage Act 1909-1972 of the intention of the Board to undertake the construction and provision of the following works, namely:—

City of Melville.

Bull Creek Main Pumping Station, Rising Main, and Gravity Sewer.

Description of Proposed Works:

The construction of—

- (a) A brick and concrete pumping station, and reinforced concrete well.
- (b) A fifteen inch nominal diameter rising main.
- (c) An eighteen inch gravity sewer, and all apparatus connected therewith.

The Localities in which the Proposed Works will be Constructed or Provided:

(a) A pumping station located within ↑30646 Canning Location 2337 approximately 150 metres east of the junction Pulo Road and Leach Highway.

(b) A rising main commencing at the said pumping station and proceeding easterly through ↑30646 Canning Location 2337 near its southern boundary to a point near the prolongation of the western boundary of Benningfield Road; thence generally southerly across Leach Highway and along Benningfield Road near its western boundary to a point near the southeast corner of ↑30991 Canning Location 2352; thence westerly through the said reserve near its southern boundary to a point opposite the Pedestrian Accessway bounded by lots 204 and 205 Dirk Hartog Road; thence southerly along the said Pedestrian Accessway to Dirk Hartog Road; thence westerly along Dirk Hartog Road near its northern boundary to and across Bass Road to a point opposite the Pedestrian Accessway bounded by lots 142 and 143 Bass Road; thence westerly along the said Pedestrian Accessway and onwards across Endeavour Avenue, lot 223 of Part Canning Location 28, Perth-Kwinana Controlled Access Road to Part Canning Location 28; thence generally northwesterly through the said Location 28 part Canning terminating at a proposed manhole as described hereunder.

(c) The gravity sewer commencing at manhole number S 138 on the Bull Creek Main Sewer and proceeding in a northerly direction for a distance of approximately 45 metres to terminate at the rising main discharge manhole mentioned in (b) above.

The Purpose for which the Proposed Works are to be Constructed or Provided:

For the disposal of wastewater and to connect premises to the gravity sewer.

The Times when and Place at which Plans, Sections and Specifications may be Inspected:

At the office of the Board, corner of Kings Park Road and Havelock Street, West Perth, for one month on and after the 22nd day of December, 1972, between the hours of 9.00 a.m. and 3.30 p.m.

H. E. J. HEWITT,
General Manager.

NOTE.

Sections 22 and 23 of the Metropolitan Water Supply, Sewerage and Drainage Act, 1909-1972 provide that:—

- (a) Any local authority or person interested may lodge a written objection with the Board against the construction or provision of the proposed works, within one month after the date of publication of the above notice.

- (b) If, after that month has expired, the objections lodged are not sufficient to require approval to be withheld and provided other requirements of the Act have been complied with, the Governor may make an Order, to be notified in the *Gazette*, empowering the Board to undertake the construction of the proposed works.

**METROPOLITAN WATER SUPPLY, SEWERAGE AND DRAINAGE BOARD,
WESTERN AUSTRALIA.**

Mirrabooka 500,000 Gallon Reinforced Concrete Elevated Tank.

1. Tenders are invited for the construction of a 500,000 gallon Reinforced Concrete Elevated Tank at Mirrabooka, within the Shire of Wanneroo, Western Australia.

2. Drawings, Conditions of Contract and Specifications may be obtained from the Administrative Assistant Engineering, Room 409, Government Office Building, 2 Havelock Street, West Perth on or after 29th December 1972 upon payment of a deposit of \$25 for one copy. This deposit will be refunded on return of the copy of the contract documents in good order and condition within three weeks of the date of closing of tenders.

3. Tenders are to be addressed to the General Manager, Metropolitan Water Supply, Sewerage and Drainage Board, Kings Park Road, West Perth, W.A. 6005 and will be received up to 2.30 p.m. on 19th January 1973. Tenders shall be marked "Tender for Mirrabooka Elevated Tank" and shall be placed in the Tender Box in Room 409 at the above address. A complete book of tender documents must be submitted with each tender.

H. E. J. HEWITT,
General Manager.

20th December 1972.

SHIRE OF BELMONT.

STATEMENT OF RECEIPTS AND PAYMENTS FOR THE YEAR ENDED 30th JUNE, 1972.

Receipts.			
		\$	\$
Rates	648,497.74	
Licences	12,827.33	
Government Grants & Recoups	271,807.90	
Income from Property	35,520.73	
Sanitation Charges	104,180.60	
Town Planning	499.80	
Fines and Penalties	713.25	
Other Revenue	386,383.68	
Other Receipts	41,891.94	
Transfers from Trust and Reserves	74,915.22	
Total Receipts		\$1,577,238.19	
Payments.			
		\$	\$
Administration:			
Staff Section	52,491.79	
Members Section	6,128.11	
Debt Service	239,626.23	
Public Works and Services:		538,189.98	
Parks and Recreation Grounds	68,879.55	
Buildings	39,151.10	
Library Service	54,339.43	
Aquatic Centre	28,285.53	
Town Planning	57,877.50	
Health Services	159,702.87	
Security and By-Law Control	6,491.78	
Building Control	29,412.48	
Public Works Overhead	134,477.75	
Less Allocated to Works	133,840.69	
Unallocated	637.06	637.06
C.A.R. Administration Costs	57,528.61	
Less Allocated to Works	35,242.56	
Administration on Loan Works	22,286.05	22,286.05
Plant, Machinery and Tools		57,597.98
Plant Operating Costs	61,253.65	
Less Allocated to Works	63,097.37	
Road Plant Depreciation Allocated		Cr. 1,843.72
Purchase of Materials	246,213.74	Cr. 41,993.40
Material Allocated	239,184.45	
Debit Opening Stock	7,029.29	
Donations and Grants		7,029.29
Other Expenditure		29,824.42
Transfers to Reserves		28,984.21
			10,500.00
Total Payments		\$1,393,597.24	

Summary.

Opening Bank Balance 1st July, 1971	(Overdraft)	140,914.66
Less Receipts		1,577,238.19
		1,436,324.03
Less Payments		1,393,597.24
Cash at Bank 30th June, 1972		\$42,726.79

BALANCE SHEET AS AT 30th JUNE, 1972

Assets.		
		\$
Current Assets		142,993.79
Non Current Assets		411,394.91
Total Deferred Assets		48,041.22
Trust Fund Contra		3,163.28
Reserve Fund Contra		96,727.35
Fixed Assets		1,446,058.65
Total Assets		\$2,148,379.20

Liabilities.		
		\$
Current Liabilities		67,790.33
Non Current Liabilities		190,477.60
Deferred Liabilities		1,925,836.54
Total liabilities		\$2,184,104.47

Summary.

Total Assets		\$ 2,148,379.20
Total Liabilities		2,184,104.47
Municipal Account Deficit		\$35,725.27
Contingent liability		\$1,054,430.00

SHIRE OF CARNARVON.

STATEMENT OF RECEIPTS AND PAYMENTS FOR THE YEAR ENDED 30th JUNE, 1972.

Receipts.		
		\$
Rates		140,558.98
Licenses		124,779.86
Government Grants		216,757.80
Income from Property		14,881.24
Sanitation		12,785.18
Fines and Penalties		5,062.97
Cemetery		303.50
Other Fees		6,575.77
Transfer from Electricity Undertaking		107,392.81
All other Revenue		117,960.47
		\$747,058.58

Payments.		
		\$
Administration:		
Staff Section		41,381.75
Less Allocated to Works		14,000.00
		27,381.75
Membership Section		4,098.81
Debt Service		199,220.81
Public Works and Services		237,370.83
Buildings Construction		4,140.82
Building Maintenance		12,683.91
Town Planning		640.00
Health Services		11,603.99
Sanitation		25,012.50
Other Health Expenditure		5,170.79
Bush Fire Control		664.17
Traffic Control		14,641.32
Building Control		6,876.31
Cemetery		664.17
Public Works and Services		50,239.11
Less Allocated to Works		51,699.90
		Cr. 1,460.79
Plant, Machinery and Tools		8,295.34
Plant Operation Costs		35,153.82
Less Allocated to Works		44,310.11
		Cr. 9,516.29
Materials		29,350.26
Less Allocated to Works		28,972.11
		378.15
Payments to C.A.R. Fund		111,362.00
Donations and Grants		4,280.36
Other Works and Services		6,488.29
Transfer to Long Service Leave Reserve		500.00
Transfer to Trading Undertaking		47,462.15
All other Works and Services		2,032.18
All other Expenses		2,563.09
		\$723,204.83

SUMMARY.

Debit Balance 1/7/71		\$ 30,823.50
Plus Payments 71/72		723,204.83
		754,028.33
Less Receipts 71/72		747,058.58
		Dr. \$6,969.85

BALANCE SHEET.

Assets.		
		\$
Current Assets		33,616.96
Non-current Assets		188,590.36
Non-current Assets Reserve Funds		122,331.32
Deferred Assets		21,717.47
Fixed Assets		1,944,887.95
		\$2,311,144.06

Liabilities.		
		\$
Current Liabilities		55,566.96
Non-current Liabilities		146,841.39
Deferred Liabilities		1,844,194.13
Other Liabilities		27,073.60
		\$2,073,476.08

SUMMARY.

Total Assets		\$ 2,311,144.06
Total Liabilities		2,073,476.08
		\$237,667.08

ELECTRICITY TRADING FUND RECEIPTS AND PAYMENTS.

Receipts.		
		\$
Sale of Current		440,256.11
Sale of Other		323.50
Housing Rent		1,490.00
Other Receipts		1,017.15
Transfer from Municipal		47,462.15
Transfer from Loan Capital		238,063.58
		\$728,612.49

Payments.		
		\$
Administration		20,813.92
Generation		193,110.61
Distribution		76,769.62
Overheads		18,154.65
Purchase Capital Items		285,525.73
Transfer to Municipal		107,392.81
Transfer to Electric Light Long Service		500.00
		\$702,267.34

SUMMARY.

Debit Balance 1/7/71		\$ 13,995.93
Payments 71/72		702,267.34
		\$716,263.27
Receipts 71/72		728,612.49
		Cr. \$12,349.22

BALANCE SHEET.

Assets.		
		\$
Bank		12,349.22
Current Assets		60,424.36
Deferred Assets		1,782.22
Reserve Fund Contra		1,782.22
Fixed Assets		940,630.22
		\$1,016,968.26
Liabilities.		
		\$
Current Liabilities		18,291.09
Deferred Liabilities		1,782.22
Fixed Liabilities		996,894.95
		\$1,016,968.26

We hereby certify that the figures and particulars shown above are correct.

E. G. MEIKLEJOHN,
President.

G. N. WHITELEY,
Shire Clerk.

I have examined the books and accounts of the Shire of Carnarvon for the year ended 30th June, 1972. I certify that the annual statements mentioned above, correspond with the books of accounts, vouchers and documents, subject to my report.

W. Z. SENDZIMIR,
Government Inspector of Municipalities.

SHIRE OF DALWALLINU.

STATEMENT OF RECEIPTS AND PAYMENTS FOR THE YEAR ENDED 30th JUNE, 1972.

Receipts.		\$
Rates	121,075	
Licenses	55,174	
Government Grants	177,110	
Income from Property	25,666	
Sanitation Charges	6,290	
Water Supply	72	
Fines and Penalties	5,317	
Cemetery Receipts	77	
Vermin Receipts	93	
Other Fees	99	
Traffic Act	7,716	
Health Act	2,317	
Bush Fires Act	50	
All other Revenue	45,463	
Total Receipts	\$446,519	

Payments.		\$
Administration:		
Staff	8,994	
Members	3,135	
Debt Service	58,793	
Public Works and Services	182,882	
Parks, Gardens, Recreation Grounds, Baths and Beaches	11,295	
Building Construction and Equipment	3,532	
Buildings Maintenance	17,945	
Water Supply	140	
Health Services	328	
Regional Health Scheme	7,593	
Sanitation	6,575	
Vermin Control	1,237	
Bush Fire Control	2,384	
Traffic Control	12,990	
Cemeteries	126	
Public Works Overheads	401	
Plant, Machinery and Tools	49,233	
Operation Costs	117	Cr.
Time Payment Contracts	21,220	
Materials	2,293	Cr.
Payment to M.R.D. Trust Account	47,698	
Donations and Grants	1,421	
Other Works and Services	6,726	
All other Expenditure	3,979	
Total Payments	\$446,217	

SUMMARY.		\$
Balance 1/7/71	Dr.	2
Receipts		466,519
		<u>466,517</u>
Payments		446,217
		<u>\$300</u>

BALANCE SHEET AS AT 30th JUNE, 1972.

Assets.		\$
Bank Balance Municipal Fund	300	
Sundry Debtors	14,915	
Stock on Hand	3,914	
Non-current Assets	11,691	
Deferred Assets	7,904	
Fixed Assets	923,061	
	<u>\$961,785</u>	

Liabilities.		\$
Current Liabilities	14,473	
Non-current Liabilities	6,198	
Deferred Liabilities	540,896	
	<u>\$561,567</u>	

SUMMARY.		\$
Total Assets	961,785	
Total Liabilities	561,567	
Municipal Accumulation Account	<u>\$400,218</u>	

We hereby certify that the figures and particulars above are correct.

H. L. ATKINSON, J.P.,
President.

R. A. L. BROOMHALL,
Shire Clerk.

I certify having examined the books and accounts of the Dalwallinu Shire Council, also compared the Statement of Receipts and Payments Adjustment Account and Balance Sheet, and found same to be correct in accordance with the books, accounts and documents produced.

M. R. ANSTEY,
Government Inspector of Municipalities.

SHIRE OF DANDARAGAN.

STATEMENT OF RECEIPTS AND PAYMENTS FOR THE YEAR ENDED 30th JUNE, 1972.

Receipts.		\$
Rates	114,210.31	
Licenses	29,043.45	
Government Grants	117,724.00	
Commonwealth Aid Road Funds	42,324.00	
Income from Property	12,197.50	
Health Services	1,815.75	
Fines and Penalties	352.47	
Vermin Receipts	220.31	
Local Government Act	630.41	
Traffic Act	543.80	
Private Works	38,531.46	
Other Income	31,682.07	
Total Receipts	\$389,275.53	

Expenditure.		\$
Administration:		
Staff	18,528.00	
Members	2,517.80	
Debt Service	96,981.28	
Public Works and Services	138,008.37	
Building Construction	1,132.86	
Commonwealth Unemployment Relief Grant	5,800.00	
Buildings Maintenance	2,805.99	
Vermin Services	2,105.18	
Health Services	8,368.66	
Bush Fire Control	1,409.23	
Traffic Control	2,760.96	
Plant, Machinery and Tools Purchased	26,201.87	
Payment to C.A.R. Fund	24,853.95	
Private Works	31,365.99	
Other Expenditure	5,730.75	
Total Expenditure	\$368,570.89	

SUMMARY.		\$
Debit Balance 1st July, 1971		21,860.64
Plus Expenditure 1971-72		368,570.89
		<u>390,431.53</u>
Less Receipts 1971-72		389,275.53
Debit Balance 30th June, 1972		<u>\$1,156.00</u>

BALANCE SHEET AS AT 30th JUNE, 1972.

Assets.		\$
Current Assets	15,503.79	
Stocks	2,277.44	
Non-current Assets	7,161.84	
Deferred Assets	8,202.05	
Fixed Assets	423,390.85	
	<u>\$456,535.97</u>	

Liabilities.		\$
Current Liabilities	19,417.24	
Non-current Liabilities	1,610.05	
Deferred Liabilities	373,687.00	
	<u>\$394,714.29</u>	

SUMMARY.		\$
Assets	456,535.97	
Liabilities	394,714.29	
Municipal Accumulation Account (surplus)	<u>\$61,821.68</u>	

We certify that the foregoing figures are true and correct.

K. G. TOPHAM, J.P.,
President.

R. F. TAYLOR,
Shire Clerk.

I have examined the books and accounts of the Shire of Dandaragan for the year ended 30th June, 1972. I certify that the annual statements mentioned above correspond with the books of account, vouchers and documents submitted for audit, and are in my opinion correct, subject to my report.

J. WATSON,
Government Inspector and Auditor.

SHIRE OF TOODYAY.

STATEMENT OF RECEIPTS AND PAYMENTS FOR THE YEAR ENDED 30th JUNE, 1972.

Receipts.		\$
Rates	39,117.06	
Licenses	26,826.22	
Government Grants	44,132.49	
C.A.R. Fund Grants	41,819.00	
Income from Property	4,567.46	
Health and Sanitation	2,183.36	
Water Supply	216.90	
Fines and Penalties	4,704.89	
Cemetery	259.00	
Vermin	11.10	
All other Revenue	23,191.57	
	<u>\$187,029.05</u>	

Payments.	
Administration:	\$
Staff Section	11,368.13
Members' Section	1,054.05
Debt Service	21,969.29
Works and Services	67,896.71
Parks, Gardens, Recreation Grounds	2,981.97
Buildings, Construction and Maintenance	5,139.07
Health and Sanitation	2,958.23
Vermin	1,880.19
Traffic	4,757.36
Bush Fire Control	457.09
Cemetery	399.64
Purchase of Plant	7,563.32
Plant Operation Costs not allocated	232.73
Materials purchased not allocated	591.24
Payment to C.A.R. Fund	22,619.47
Donations and Grants	1,081.88
Transfer to Reserve Fund	3,000.00
Other Works and Services	5,616.42
All other Expenditure	17,255.55
	<u>\$178,822.34</u>

SUMMARY.	
Debit Balance 1/7/71	\$ 7,064.43
Payments as Statement	178,822.34
	<u>185,886.77</u>
Receipts as Statement	187,029.05
	<u>\$1,142.28</u>

BALANCE SHEET AS AT 30th JUNE, 1972.

Assets.	
	\$
Current Assets	7,114.56
Non-current Assets	5,923.09
Deferred Assets	9,610.98
Fixed Assets	179,207.62
	<u>\$201,856.25</u>

Liabilities.	
	\$
Current Liabilities	2,602.31
Non-current Liabilities	2,923.09
Deferred Liabilities	77,133.87
	<u>\$82,659.27</u>

SUMMARY.	
Total Assets	\$ 201,856.25
Total Liabilities	82,659.27
Municipal Accumulation Account (surplus)	<u>\$119,196.98</u>

We hereby certify that the figures and particulars above are correct

I. V. MURRAY,
President.
B. F. HARRIS,
Shire Clerk.

I have examined the books and accounts for the Shire of Toodyay for the year ended 30th June, 1972, and certify that the annual statement mentioned above correspond with the books of account, vouchers and documents submitted for audit and in my opinion are correct subject to my report.

M. ANSTEY,
Inspector of Municipalities.

SHIRE OF WANNEROO.

IT is notified for Public information that Robert Donald Doust was appointed a Traffic Inspector for the Shire of Wanneroo under the provisions of the Traffic Act to take effect as from the 11th of December, 1972.

N. S. BENNETTS,
Shire Clerk.

LOCAL GOVERNMENT ACT, 1960-1971.
Shire of Exmouth.

IT is hereby notified for general information that Micheal John Batchelor has been appointed a Litter Inspector under the provisions of section 157 (c) of the above act.

N. EVANS,
Shire Clerk.

SHIRE OF BEVERLEY.

IT is hereby notified for general information that Peter Jordan Bennett has been appointed Shire Clerk for the Shire of Beverley as from December 18th, 1972 and that the appointment of David Rigoll as Shire Clerk is hereby cancelled.

G. L. KILPATRICK,
President.

SHIRE OF BEVERLEY.

IT is hereby notified for general information that the appointment of David Rigoll as Traffic Inspector for the Shire of Beverley is hereby cancelled.

P. J. BENNETT,
Shire Clerk.

SHIRE OF WILLIAMS.

IT is hereby notified that Ronald Arthur Rice has been appointed Acting Shire Clerk for the Shire of Williams from 11th December, 1972 until 16th February, 1973.

E. H. SPRAGG,
President.

LOCAL GOVERNMENT ACT 1960-1971.

City of Stirling.

Notice of Intention to Borrow.

Proposed Loan (No. 157) of \$230,000.

PURSUANT to section 610 of the Local Government Act, 1960-1971 the City of Stirling hereby gives notice that it proposes to borrow by the sale of a debenture or debentures, money on the following terms and for the following purpose: \$230,000 for 15 years repayable at the office of the City of Stirling by 30 equal half-yearly instalments of principal and interest. Purpose: Buildings on Reserves.

Schedule and an estimate of the cost thereof and the statement required by section 609 are open for inspection by ratepayers of the Municipality at the office of the Council, Cedric Street, Osborne Park, between the hours of 10 a.m. and 4 p.m. on week days except Saturdays for 35 days after publication of this notice.

Dated this 19th day of December, 1972.

N. C. HAWKINS, J.P.,
Mayor.

L. A. EASTON,
Town Clerk.

LOCAL GOVERNMENT ACT, 1960-1971.

Town of Bunbury.

Notice of Intention to Borrow.

Proposed Loan (No. 136) of \$35,000.

PURSUANT to section 610 of the Local Government Act, 1960-1971, the Town of Bunbury hereby gives notice that it proposes to borrow money by sale of a debenture or debentures on the following terms and for the following purpose: Thirty-five thousand dollars (\$35,000) for 15 years at an interest rate of 6.3 per centum per annum, repayable at the Commonwealth Savings Bank of Australia, Perth, by 30 equal half-yearly repayments of principal and interest. Purpose: Road construction and road drainage.

Plans, specifications and estimates as required by section 609 are open for inspection by ratepayers at the office of the Council during business hours for 35 days after the publication of this notice.

P. J. USHER,
Mayor.

W. J. CARMODY,
Town Clerk.

LOCAL GOVERNMENT ACT, 1960-1971.

Town of Canning.

Notice of Intention to Borrow.

Proposed Loan (No. 103) of \$50,000.

PURSUANT to section 610 of the Local Government Act, 1960-1971, the Council of the Town of Canning, hereby gives notice that it proposes to borrow the sum of \$50,000 by the sale of debentures, payable at the office of the Town of Canning, 1317 Albany Highway, Cannington, by half-yearly instalments of principal and interest for the following period and purpose: \$50,000 for a period of 15 years. Purpose: Provision of drainage at Queens Park.

Plans, specifications and estimates required by section 609 are available for inspection at the office of the Council during business hours for thirty-five days after the publication of this notice.

Dated this 19th day of December, 1972.

E. CLARK,
Mayor.
N. I. DAWKINS,
Town Clerk.

LOCAL GOVERNMENT ACT, 1960-1971.

Town of Geraldton.

Notice of Intention to Borrow.

Proposed Loan (No. 111) of \$22,000.

PURSUANT to section 610 of the Local Government Act, 1960-1971, the Geraldton Town Council hereby gives notices that it proposes to borrow money by the sale of a debenture on the following terms for the following purpose: \$22,000 repayable over a period of fifteen (15) years at the office of the Superannuation Board, Perth in equal half-yearly instalments of principal and interest. Purpose: To develop the first stage of the Mahomets Flats project.

Plans, specifications and estimates as required by section 609 of the Act are open for inspection at the Civic Centre during normal office hours for thirty-five (35) days following the publication of this notice.

Dated this 15th day of December, 1972.

C. W. MILDWATERS,
Mayor.
J. F. CAMERON,
Town Clerk.

LOCAL GOVERNMENT ACT, 1960-1971.

Town of Canning.

Notice of Intention to Borrow.

Proposed Loan (No. 105—Part Two) of \$78,000.

PURSUANT to section 610 of the Local Government Act, 1960-1971, the Council of the Town of Canning hereby gives notice that it proposes to borrow the sum of \$78,000 by the sale of debentures, repayable at the office of the Town of Canning, 1317 Albany Highway, Cannington, by half-yearly instalments of principal and interest for the following period and purpose: \$78,000 for a period of 20 years. Purpose: Construction of changerooms and public toilets with parking areas at Willetton Reserve and Woodford Park, Lynwood; and toilet block at Wilson Park.

Plans, specifications and estimates required by section 609 are open for inspection at the office of the Council during business hours for thirty-five days after the publication of this notice.

Dated this 19th day of December, 1972.

E. CLARK,
Mayor.
N. I. DAWKINS,
Town Clerk.

LOCAL GOVERNMENT ACT, 1960-1971.

Shire of Belmont.

Notice of Intention to Borrow.

Proposed Loan (No. 80) of \$100,000.

PURSUANT to section 610 of the Local Government Act, 1960-1971, the Belmont Shire Council hereby gives notice that it proposes to borrow money by the sale of a single debenture, on the following terms and for the following purpose: \$100,000 (one hundred thousand dollars) for twenty (20) years repayable by forty equal half-yearly instalments of principal and interest at the office of the Council, 209 Great Eastern Highway Belmont. Purpose: Sewerage mains extensions.

The statement required by section 609 of the Act, is open for inspection at the office of the Council during usual business hours for thirty-five days after publication of this notice.

The above Loan is repayable by Metropolitan Water Board.

Dated this 20th day of December, 1972.

B. A. M. CLAYDEN,
President.
R. G. GWYNNE,
Acting Shire Clerk.

LOCAL GOVERNMENT ACT, 1960-1971.

Town of Canning.

Notice of Intention to Borrow.

Proposed Loan (No. 106) of \$80,000.

PURSUANT to section 610 of the Local Government Act, 1960-1971, the Council of the Town of Canning hereby gives notice that it proposes to borrow the sum of \$80,000 by the sale of debentures, repayable at the office of the Town of Canning, 1317 Albany Highway, Cannington, by half-yearly instalments of principal and interest for the following period and purpose: \$80,000 for a period of 5 years. Purpose: Purchase of plant and equipment for rubbish removal.

Plans, specifications and estimates required by section 609 are open for inspection at the office of the Council during business hours for thirty-five days after the publication of this notice.

Dated this 19th day of December, 1972.

E. CLARK,
Mayor.
N. I. DAWKINS,
Town Clerk.

LOCAL GOVERNMENT ACT, 1960-1971.

Shire of Belmont.

Notice of Intention to Borrow.

Proposed Loan (No. 81) of \$100,000.

PURSUANT to section 610 of the Local Government Act 1960-1971, the Belmont Shire Council hereby gives notice that it proposes to borrow money by the sale of a single debenture, on the following terms and for the following purpose: \$100,000 (one hundred thousand dollars) for fifteen (15) years repayable by thirty equal half-yearly instalments of principal and interest at the office of the Council, 209 Great Eastern Highway, Belmont. Purpose: Road and footpath construction.

The statement required by section 609 of the Act, is open for inspection at the office of the Council during usual business hours for thirty-five days after publication of this notice.

Dated the 20th day of December, 1972.

B. A. M. CLAYDEN,
President.
R. G. GWYNNE,
Acting Shire Clerk.

LOCAL GOVERNMENT ACT, 1960-1971.

Shire of Belmont.

Notice of Intention to Borrow.

Proposed Loan (No. 82) of \$3,000.

PURSUANT to section 610 of the Local Government Act, 1960-1971, the Belmont Shire Council hereby gives notice that it proposes to borrow money by the sale of a single debenture, on the following terms and for the following purpose: \$3,000 (three thousand dollars) for fifteen (15) years repayable by thirty equal half-yearly instalments of principal and interest at the office of the Council, 209 Great Eastern Highway, Belmont, Purpose: Kindergarten Extensions.

The statement required by section 609 of the Act, is open for inspection at the office of the Council during usual business hours for thirty-five days after publication of this notice.

Such Loan repayable by Happy Days Kindergarten.

Dated the 20th day of December, 1972.

B. A. M. CLAYDEN,
President.

R. G. GWYNNE,
Acting Shire Clerk.

LOCAL GOVERNMENT ACT, 1960-1971.

Shire of Three Springs.

Notice of Intention to Borrow.

Proposed Loan (No. 85) of \$6,000.

PURSUANT to section 610 of the Local Government Act, 1960-1971, the Council of the Shire of Three Springs hereby gives notice that it proposes to borrow money by the sale of a debenture on the following terms and for the following purpose:

\$6,000 for a period of 5 years at a rate of interest not exceeding 6 per cent. per annum, repayable at the National Bank Ltd., Three Springs, by ten equal half-yearly investments of principal and interest.

Purpose: Contribution Frail Aged Home Construction.

Plans specifications and estimates of cost as required by section 609 of the Act are open for inspection at the office of the Council during office hours for a period of 35 days after publication of this notice.

D. HUNT,
President.

H. J. WALSTER,
Shire Clerk.

LOCAL GOVERNMENT ACT, 1960-1971.

Town of Bunbury.

Loans.

Department of Local Government,
Perth, 14th December, 1972.

L.G. 93/72.

IT is hereby notified for public information that His Excellency the Governor has approved of the construction of football club rooms on portion of Leschenault Location 26, being part of the land in Diagram 651, Certificate of Title Volume 1174, Folio 86, (P.C. Payne Park) for lease to the Bunbury Football Club (Inc.) as a work and undertaking for which money may be borrowed under Part XXVI of the Local Government Act, 1960-1971, by the Bunbury Town Council.

R. C. PAUST,
Secretary for Local Government.

LOCAL GOVERNMENT ACT, 1960-1971.

Town of Cottesloe.

Loans.

Department of Local Government,
Perth, 14th December, 1972.

L.G. 70/64.

IT is hereby notified for public information that His Excellency the Governor has approved of the part cost of a water reticulation system on Reserves A6613 and A1664 for the Sea View Golf Club (Inc.) as a work and undertaking for which money may be borrowed under Part XXVI of the Local Government Act, 1960-1971, by the Cottesloe Town Council.

R. C. PAUST,
Secretary for Local Government.

LOCAL GOVERNMENT ACT, 1960-1971.

Town of East Fremantle.

Lease of Land.

Department of Local Government,
Perth, 14th December, 1972.

L.G. 2284/52.

IT is hereby notified for public information that His Excellency the Governor has directed, under the provisions of Section 267 (3) of the Local Government Act, 1960-1971, that the Town of East Fremantle may lease portion of A Class Reserve 28785 comprised in Swan Location 8192, to the Scout Association of Australia for a period of 21 years without calling public tenders.

R. C. PAUST,
Secretary for Local Government.

LOCAL GOVERNMENT ACT, 1960-1971.

Town of East Fremantle.

Loans.

Department of Local Government,
Perth, 14th December, 1972.

L.G. 1059/63.

IT is hereby notified for public information that His Excellency the Governor has approved of the construction of a Hall for Sea Scouts on portion of Class A Reserve 28785 comprised in Swan Location 8192 as a work and undertaking for which money may be borrowed under Part XXVI of the Local Government Act, 1960-1971, by the East Fremantle Town Council.

R. C. PAUST,
Secretary for Local Government.

LOCAL GOVERNMENT ACT, 1960-1971.

Town of Kalgoorlie.

Loans.

Department of Local Government,
Perth, 14th December, 1972.

L.G. 22/69A.

IT is hereby notified for public information that His Excellency the Governor, has approved of the construction of a new doctor's residence on Lot 3496 Killarney Street and the installation of evaporative air conditioning in the residences situated on Lots 1813 and 3495 Killarney Street—

- (i) as a work and undertaking for which money may be borrowed under Part XXVI of the Local Government Act, 1960-1971, and
 - (ii) Lot 3496 Killarney Street to be let on lease pursuant to section 514 of that Act,
- by the Kalgoorlie Town Council.

R. C. PAUST,
Secretary for Local Government.

LOCAL GOVERNMENT ACT, 1960-1971.

Town of Mosman Park.

Closure of Private Street.

Department of Local Government,
Perth, 18th December, 1972.

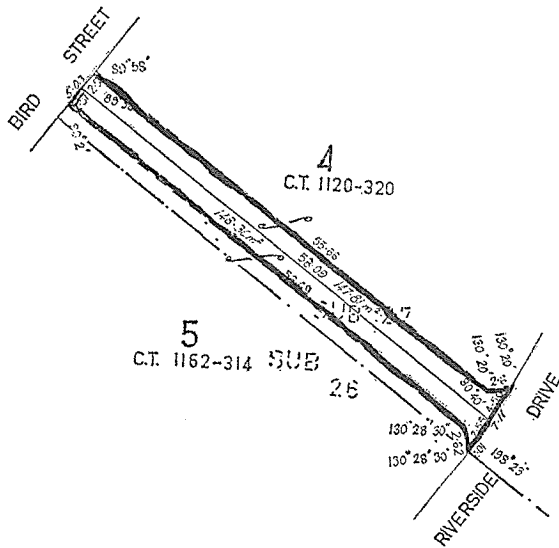
L.G. 265/63A.

NOTICE is hereby given in pursuance of the provisions of section 297A of the Local Government Act, 1960-1971, that His Excellency the Governor has approved of the closing of a private street, in accordance with the resolution passed by the Mosman Park Town Council, "that the private street between Riverside Drive and Bird Street be closed and the land contained therein be allocated to the adjoining Lots 4 and 5 as shown on the compiled diagram".

R. C. PAUST,
Secretary for Local Government.

Schedule.

Diagram No. 44257.



LOCAL GOVERNMENT ACT, 1960-1971.

Town of Northam.

Lease of Land.

Department of Local Government,
Perth, 14th December, 1972.

L.G. 1687/52A.

IT is hereby notified for public information that His Excellency the Governor has directed, under the provisions of Section 267 (3) of the Local Government Act, 1960-1971, that the Northam Town Council may lease Lot 7 of Reserve 420 to the Northam Hot Rod Club for a period of ten years without calling public tenders.

R. C. PAUST,
Secretary for Local Government.

LOCAL GOVERNMENT ACT, 1960-1971.

Shire of Beverley.

Lease of Land.

Department of Local Government,
Perth, 14th December, 1972.

L.G. 73/57.

IT is hereby notified for public information that His Excellency the Governor has directed, under the provisions of section 267 of the Local Government Act, 1960-1971, that the Beverley Shire Council may lease Lot 401, Beverley, Certificate of Title Volume 1160, Folio 735, to the Beverley Race Club, for a period of 20 years, without calling public tenders.

R. C. PAUST,
Secretary for Local Government.

LOCAL GOVERNMENT ACT, 1960-1971.

Shire of Beverley.

Loans.

Department of Local Government,
Perth, 14th December, 1972.

L.G. 44/72.

IT is hereby notified for public information that His Excellency the Governor has approved of the erection of a Grandstand and associated buildings and works on Lot 401 Certificate of Title Volume 1160, Folio 735, Beverley as a work and undertaking for which money may be borrowed under Part XXVI of the Local Government Act, 1960-1971, by the Beverley Shire Council.

R. C. PAUST,
Secretary for Local Government.

LOCAL GOVERNMENT ACT, 1960-1971.

Shire of Broome.

Lease of Land.

Department of Local Government,
Perth, 14th December, 1972.

L.G. 643/72.

IT is hereby notified for public information that His Excellency the Governor has directed, under the provisions of Section 267 (3) of the Local Government Act, 1960-1971, that the Shire of Broome may lease Reserve 29077 to the Broome Kindergarten for a period of 21 years without calling public tenders.

R. C. PAUST,
Secretary for Local Government.

LOCAL GOVERNMENT ACT, 1960-1971.

Shire of Coolgardie.

Loans.

Department of Local Government,
Perth, 14th December, 1972.

L.G. 294/64A.

IT is hereby notified for public information that His Excellency the Governor has approved of the purchase of a residence at 4 Eucalypt Court, Kamalalda West for the purpose of providing housing for a medical practitioner as a work and undertaking for which money may be borrowed under Part XXVI of the Local Government Act, 1960-1971, by the Coolgardie Shire Council.

R. C. PAUST,
Secretary for Local Government.

LOCAL GOVERNMENT ACT, 1960-1971.

Shire of Dalwallinu.

Loans.

Department of Local Government,
Perth, 14th December, 1972.

L.G. 110/70.

IT is hereby notified for public information that His Excellency the Governor has approved of the construction by the State Electricity Commission of an electricity transmission line to link Dalwallinu to the State Electricity Commission's power grid and the purchase of the Dalwallinu Electricity Undertaking for the State Electricity Commission, as a work and undertaking for which money may be borrowed under Part XXVI of the Local Government Act, 1960-1971, by the Dalwallinu Shire Council.

R. C. PAUST,
Secretary for Local Government.

LOCAL GOVERNMENT ACT, 1960-1971.

Shire of Denmark.

Loans.

Department of Local Government,
Perth, 14th December, 1972.

L.G. 246/67.

IT is hereby notified for public information that His Excellency the Governor has approved of the extension of the electricity supply to the properties

of seven ratepayers in the district as a work and undertaking for which money may be borrowed under Part XXVI of the Local Government Act, 1960-1971, by the Denmark Shire Council.

R. C. PAUST,
Secretary for Local Government.

LOCAL GOVERNMENT ACT, 1960-1971.

Shire of Koorda.

Loans.

Department of Local Government,
Perth, 14th December, 1972.

L.G. 56/72A.

IT is hereby notified for public information that His Excellency the Governor has approved of the financing of the downpayment of 10 farmers in the Koorda North Electricity Group for the extension of electricity mains as a work and undertaking for which money may be borrowed under Part XXVI of the Local Government Act, 1960-1971, by the Koorda Shire Council.

R. C. PAUST,
Secretary for Local Government.

LOCAL GOVERNMENT ACT, 1960-1971.

Shire of Kwinana.

Lease of Land.

Department of Local Government,
Perth, 14th December, 1972.

L.G. 122/54.

IT is hereby notified for public information that His Excellency the Governor, has directed, under the provisions of Section 267 of the Local Government Act, 1960-1971, that the Shire of Kwinana may lease portion of Kwinana Lot A748 and being Lot 415 on Plan 9475 and being part of the land described in Certificate of Title Volume 296, folio 185A, to the Orelia Kindergarten (Inc.) for a period of 21 years without calling public tenders.

R. C. PAUST,
Secretary for Local Government.

LOCAL GOVERNMENT ACT, 1960-1971.

Shire of Mandurah.

Lease of Land.

Department of Local Government,
Perth, 14th December, 1972.

L.G. 473/64C.

IT is hereby notified for public information that His Excellency the Governor, has directed, under the provisions of Section 267 (3) of the Local Government Act, 1960-1971, that the Shire of Mandurah may lease Reserve 24454 to the Mandurah Bowling Club Incorporated for a period of 15 years without calling public tenders.

R. C. PAUST,
Secretary for Local Government.

LOCAL GOVERNMENT ACT, 1960-1971.

Shire of Mandurah.

Loans.

Department of Local Government,
Perth, 14th December, 1972.

L.G. 81/72.

IT is hereby notified for public information that His Excellency the Governor has approved of the construction of a Bowling Club House on portion of Reserve 25477 on behalf of the Dudley Park Bowling and Recreation Club (Inc.) as a work and undertaking for which money may be borrowed under Part XXVI of the Local Government Act, 1960-1971, by the Mandurah Shire Council.

R. C. PAUST,
Secretary for Local Government.

LOCAL GOVERNMENT ACT, 1960-1971.

Shire of Mandurah.

Lease of Land.

Department of Local Government,
Perth, 14th December, 1972.

L.G. 473/64.

IT is hereby notified for public information that His Excellency the Governor has directed, under the provisions of Section 267 (3) of the Local Government Act, 1960-1971, that the Shire of Mandurah may lease Reserve 25477 to the Dudley Park Bowling and Recreation Club for a period of 21 years without calling public tenders.

R. C. PAUST,
Secretary for Local Government.

LOCAL GOVERNMENT ACT, 1960-1971.

Shire of Mullewa.

Loans.

Department of Local Government,
Perth, 14th December, 1972.

L.G. 75/72.

IT is hereby notified for public information that His Excellency the Governor has approved of the construction of extensions to the Mullewa District Bowling Club Incorporated on Reserve 21113 as a work and undertaking for which money may be borrowed under Part XXVI of the Local Government Act, 1960-1971, by the Mullewa Shire Council.

R. C. PAUST,
Secretary for Local Government.

LOCAL GOVERNMENT ACT, 1960-1971.

Shire of Wyalkatchem.

Sale of Land.

Department of Local Government,
Perth, 14th December, 1972.

L.G. 486/59.

IT is hereby notified for public information that His Excellency the Governor has directed under the provisions of Section 266 of the Local Government Act, 1960-1971, that the Wyalkatchem Shire Council may sell Wyalkatchem Town Lot 160, Certificate of Title Volume 1178, Folio 406 by private treaty.

R. C. PAUST,
Secretary for Local Government.

FUEL, ENERGY AND POWER RESOURCES ACT,
1972.

Fuel and Power Commission,
Perth, 13th December, 1972.

IT is hereby notified for public information that His Excellency the Governor in Executive Council has approved of the appointments to the Fuel and Power Advisory Council as under:—

- (a) Charles Thomas Pullan as a Permanent Member and William Thomas Peart as his deputy, both to represent the interests of The West Australian Chamber of Manufactures (Inc.);
- (b) Ian Hamilton Carne as a Permanent Member and Cornelius Percival Farrell as his deputy, both to represent the interests of The Chamber of Mines of Western Australia (Incorporated).

D. G. MAY,
Minister for Fuel.

FACTORIES AND SHOPS ACT, 1963-1972.

Order.

I, ALEXANDER DONALD TAYLOR, the Minister for the time being charged with the administration of the Factories and Shops Act, 1963-1972, acting pursuant to the provisions of section 7 of that Act,

do hereby declare that the provisions of the Factories and Shops Act, 1963-1972, except the provisions thereof relating to Industrial Awards and Agreements, do not apply to the Civic Centre, Cottesloe between the hours of 2.00 p.m. and 10.00 p.m. on the 17th, 18th, 19th, 20th, 22nd, 23rd and 24th January, 1973.

A. D. TAYLOR,
Minister for Labour.

Approved by His Excellency the Governor in Executive Council, this 13th day of December, 1972.

W. S. LONNIE,
Clerk of the Council.

WEIGHTS AND MEASURES ACT, 1915-1967.

Department of Labour,
Perth, 15th December, 1972.

IT is notified for public information that His Excellency, the Governor in Executive Council, has been pleased to approve under section 6 of the Weights and Measures Act of the appointment of Mr. David Clive Wilcock, as an Inspector of Weights and Measures.

H. A. JONES,
Under Secretary for Labour.

BREAD ACT, 1903-1966.

IT is hereby notified, for general information, that the Honourable Minister for Labour, pursuant to the provisions of the Bread Act, 1903-1966, has been pleased to authorise the hours mentioned in the schedule to this notice for the days therein mentioned on which bread may be delivered within a radius of twenty-eight miles from the General Post Office, Perth, in substitution of the hours for these days as provided by section 13 of the Act.

T. H. BURGESS,
Chief Inspector of Factories.
13th December, 1972.

Schedule.

Delivery of bread shall commence by vehicles leaving the respective yards or depots as follows:—
Saturday 23rd December, 1972, not earlier than 4.00 a.m.
Friday 29th December, 1972, not earlier than 5.00 a.m.

TOURIST ACT, 1959-1970.

IN pursuance of section six of the Tourist Act, 1959-1970, notice is hereby given of—

- (i) the appointment, as members of the Western Australian Tourist Development Authority, of each of the persons named in column one, in the capacity set out in column two, for the term of office expiring on the date shown in column three, of the schedule hereunder.
- (ii) the appointment under section six (a) of the said Act of William Frederick Rolston to be the deputy of Clyde Gale Adams to act as member of the Western Australian Development Authority during the absence of the said Clyde Gale Adams.

13th December, 1972.

A. D. TAYLOR,
Minister for Tourism.

Schedule.

Column 1; Column 2; Column 3.

Ralph Herbert Doig, 3 Marapana Road, City Beach; Chairman and nominee of the Minister; 8th December, 1975.

Ronald Francis Carroll, 461 Canning Highway, Melville; Member representing persons having a special interest in the development and publicising of the tourist attractions of the State; 8th December, 1975.

Clyde Gale Adams, 24 Wilber Street, Rossmoyne; Member nominated by the Treasurer; 8th December, 1975.

BEE INDUSTRY COMPENSATION ACT, 1953.

Department of Agriculture,
South Perth, 12th December, 1972.

Agric. 1685/65.

THE Beekeepers' Compensation Fund Committee, pursuant to Section 10 of the Bee Industry Compensation Act, 1953, hereby declares the rate of licence per colony of bees for the five year period from 1st January, 1973 to 31st December, 1977 at which a beekeeper shall contribute to the Beekeepers' Compensation Fund pursuant to the provisions of Section 9 of the Act as amended by the Bee Industry Compensation Amendment Act 1972 to be 10 cents for each colony of bees owned by the beekeeper at the date of registration; the minimum rate contributed by every beekeeper shall be \$1.00 (one dollar).

F. G. SMITH,
Chairman, Beekeepers' Compensation
Fund Committee.

PLANT DISEASES ACT, 1914-1969.

Department of Agriculture,
South Perth, 15th December, 1972.

HIS Excellency the Governor in Executive Council, acting pursuant to the provisions of the Plant Diseases Act, 1914-1969, has been pleased to make the regulations set out in the Schedule hereunder.

E. N. FITZPATRICK,
Director of Agriculture.

Schedule.

Regulations.

Principal regulations. 1. In these regulations the Plant Diseases (Fruit Movement) Regulations, 1970, published in the *Government Gazette* on the 25th March, 1970, are referred to as the principal regulations.

Second Schedule substituted. 2. The principal regulations are amended by substituting for the Second Schedule a schedule as follows:—

Second Schedule.

(Area No. 2)

All that portion of land bounded by lines starting at a point on the Low Water Mark of the Indian Ocean at 32 degrees 50 minutes South Latitude and extending east along that parallel to the 116 degree 25 minute meridian of East Longitude; thence southeasterly to Kwobrup Trigonometrical Station (33 degrees 46 minutes 4 seconds South Latitude and 117 degrees 57 minutes 16 seconds East Longitude); thence southeasterly to the intersection of the Right Bank of the Cordinup River with the Low Water Mark of the Southern Ocean and thence generally westerly along that Low Water Mark and generally northerly along the Low Water Mark of the Indian Ocean aforesaid to the starting point.

PLANT DISEASES ACT, 1914-1969.
 Department of Agriculture,
 South Perth, 7th December, 1972.

Agric. File 1720/64.

I, THE UNDERSIGNED MINISTER FOR AGRICULTURE, being the Minister charged with the administration of the Plant Diseases Act, 1914-1969, acting in exercise of the power in this behalf conferred upon me by Regulation 5A of the Compulsory Fruit Fly Baiting Regulations made under the provisions of the said Act, do hereby appoint Mr. Frank Leslie Nalder, of 14 Traverse Street, Wagin, a committee member of the Wagin Compulsory Fruit Fly Baiting Committee, to fill the vacancy caused by the death of Mr. J. N. Lunt.

H. D. EVANS,
 Minister for Agriculture.

PLANT DISEASES ACT, 1914-1969.
 Department of Agriculture,
 South Perth, 7th December, 1972.

Agric. File 896/68.

I, THE UNDERSIGNED MINISTER FOR AGRICULTURE, being the Minister charged with the administration of the Plant Diseases Act, 1914-1969, acting in exercise of the power in this behalf conferred upon me by Regulation 5A of the Compulsory Fruit Fly Baiting Regulations made under the provisions of the said Act, do hereby appoint Mrs. Jessie Lawrence, of Slocum Street, Wyalkatchem, a committee member of the Wyalkatchem Fruit Fly Baiting Committee, to fill the vacancy caused by the resignation of Mr. A. H. M. Meechin.

H. D. EVANS,
 Minister for Agriculture.

AGRICULTURAL PRODUCTS ACT, 1929-1968.

I, THE UNDERSIGNED MINISTER FOR AGRICULTURE, being the Minister charged with the administration of the Agricultural Products Act, 1929-1968, acting in exercise of the power in this behalf conferred upon me by Section 3D of the said Act and on the recommendation of the Apple Sales Advisory Committee constituted under the Act, do hereby prohibit the sale, except for the purpose of export, of all apples and pears except in accordance with the Schedule hereunder setting out the varieties, grades and minimum sizes of apples and pears which may be sold and the period of operation of this notice.

The provisions of this notice shall be read in conjunction with the Agricultural Products (Apple and Pear Grading) Regulations 1970.

A person shall not sell except for the purpose of export from the State, any apples or pears of which the sale is, pursuant to Section 3D of the Act, prohibited and any person who contravenes the provisions of this Section commits an offence.

Penalty : One Hundred Dollars.

Dated this 20th day of December, 1972.

H. D. EVANS,
 Minister for Agriculture.

Schedule

OPERATIVE FROM 1st JANUARY, 1973, UNTIL FURTHER NOTICE.

	Grade and Minimum Size (inches)				
	Extra Fancy	Fancy	Loose	Plain	Cooker
Apple Varieties					
Trivett	2 $\frac{1}{8}$	2 $\frac{1}{8}$	2 $\frac{1}{8}$	2 $\frac{1}{4}$	2 $\frac{1}{2}$
Fosters	2 $\frac{1}{8}$	2 $\frac{1}{8}$	2 $\frac{1}{8}$	2 $\frac{1}{4}$	2 $\frac{1}{2}$
Gravestein	2 $\frac{1}{4}$	2 $\frac{1}{4}$	2 $\frac{1}{4}$	2 $\frac{1}{4}$	2 $\frac{1}{2}$
Willie Sharp	2 $\frac{1}{4}$	2 $\frac{1}{4}$	2 $\frac{1}{4}$	2 $\frac{1}{4}$	2 $\frac{1}{2}$
Eearly McIntosh	2 $\frac{1}{4}$	2 $\frac{1}{4}$	2 $\frac{1}{4}$	2 $\frac{1}{4}$	2 $\frac{1}{2}$
William's Favourite	2 $\frac{1}{4}$	2 $\frac{1}{4}$	2 $\frac{1}{4}$	2 $\frac{1}{4}$	2 $\frac{1}{2}$
Lord Nelson	2 $\frac{1}{2}$	2 $\frac{1}{2}$	2 $\frac{1}{2}$	2 $\frac{1}{2}$	2 $\frac{1}{2}$
Red Astrachan	2 $\frac{1}{2}$	2 $\frac{1}{2}$	2 $\frac{1}{2}$	2 $\frac{1}{2}$	2 $\frac{1}{2}$
Prince Alfred	2 $\frac{1}{2}$	2 $\frac{1}{2}$	2 $\frac{1}{2}$	2 $\frac{1}{2}$	2 $\frac{1}{2}$
Cleopatra	Prohibited	Prohibited	Prohibited	Prohibited	2 $\frac{1}{2}$
Dunnis	Prohibited	Prohibited	Prohibited	Prohibited	2 $\frac{1}{2}$
Golden Delicious	Prohibited	Prohibited	Prohibited	Prohibited	2 $\frac{1}{2}$
Granny Smith	2 $\frac{3}{8}$	2 $\frac{3}{8}$	2 $\frac{3}{8}$	Prohibited	2 $\frac{3}{8}$
Delicious	2 $\frac{3}{8}$	2 $\frac{3}{8}$	2 $\frac{3}{8}$	Prohibited	Prohibited
Yates	2 $\frac{3}{8}$	2 $\frac{3}{8}$	2 $\frac{3}{8}$	Prohibited	Prohibited
Jonathans offered for sale before February 21, 1973	2 $\frac{1}{4}$	Prohibited	Prohibited	Prohibited	2 $\frac{5}{8}$
Jonathans offered for sale after February 21, 1973	2 $\frac{1}{4}$	2 $\frac{1}{4}$	2 $\frac{1}{4}$	Prohibited	2 $\frac{5}{8}$
Pear Varieties					
Clapps Favourite	2 $\frac{1}{4}$	2 $\frac{1}{4}$	2 $\frac{1}{4}$	Prohibited	Prohibited
Bartlett offered for sale before January 31, 1973	2 $\frac{3}{8}$	2 $\frac{3}{8}$	2 $\frac{3}{8}$	2 $\frac{3}{8}$	2 $\frac{3}{8}$
Bartlett offered for sale after January 31, 1973	2 $\frac{1}{4}$	2 $\frac{1}{4}$	2 $\frac{1}{4}$	Prohibited	Prohibited

AGRICULTURAL PRODUCTS ACT, 1929-1968

Citrus Sales Restrictions

Agric. 1151/71.

ACTING in pursuance of Section 3D of the Agricultural Products Act, 1929-1968, and on the recommendation of the Citrus Sales Advisory Committee constituted under the Act, notice is hereby given that the notice concerning the sale of citrus fruits published in the *Government Gazette* on Friday, July 21, 1972, and in *The West Australian* newspaper on Saturday, July 22, 1972, is amended as set out hereunder :—

Amendment

Citrus Sales Restrictions in Western Australia

Kind—Grade and min. size (inches) permitted for sale	Special Standard Plain		
	Special	Standard	Plain
Lemons	2	2	2
(Previously)	(2 $\frac{1}{8}$)	(2 $\frac{1}{8}$)	(2 $\frac{1}{8}$)

This amendment will be operative until further notice.

A person shall not sell except for the purpose of export from the state, any kind of citrus fruit of which the sale is, pursuant to section 3D of the Act prohibited and any person who contravenes the provisions of this section commits an offence.

Penalty : One Hundred Dollars.

H. D. EVANS,
 Minister for Agriculture.

CATTLE INDUSTRY COMPENSATION ACT, 1965-1970.

Department of Agriculture,
South Perth, 15th December, 1972.

HIS Excellency the Governor in Executive Council, acting pursuant to the powers conferred by the Cattle Industry Compensation Act, 1965-1970, has been pleased to make the regulations set forth in the Schedule hereunder.

E. N. FITZPATRICK,
Director of Agriculture.

Schedule.
Regulations.

- Principal regulations. 1. In these regulations the Cattle Industry Compensation Regulations, 1966 published in the *Government Gazette* on the 14th February, 1966 and amended from time to time thereafter by notices so published are referred to as the principal regulations.
- Reg. 7 amended. 2. Regulation 7 of the principal regulations is amended by adding after the passage "of a ↑," in line four, the passage "or earmarked with a ↑ earmark".
- Reg. 7A amended. 3. Regulation 7A of the principal regulations is amended by adding after the passage "BR," in line four, the passage "or earmarked with a ↑ earmark".

Department of Agriculture,
South Perth, 15th December, 1972.

Agric. File 1215/70.

HIS Excellency the Governor in Executive Council has been pleased to approve the appointment of—
Ashley Neil Dawson, Sydney Ernest Oliver,
Ronald William Gardiner, Alexander
Joseph William Marrs and Ralph James Abbott,

as Inspectors under the Stock Diseases (Regulations) Act, 1968-1969, Noxious Weeds Act, 1950-1970, and the Vermin Act, 1918-1970.

E. N. FITZPATRICK,
Director of Agriculture.

VERMIN ACT, 1918-1970.

Agriculture Protection Board,
South Perth, 13th December, 1972.

WHEREAS it is enacted, *inter alia*, by subsection (1) of section 140 of the Vermin Act, 1918-1970, that the Agriculture Protection Board may, from time to time, by declaration in the *Government Gazette*, declare any class or classes of animal, bird, or insect, whether at large or not, or by reason of being at large, to be vermin for the purposes of that Act, in respect of the whole or any part of the State: Now, therefore, the Agriculture Protection Board, acting under the provisions of the said subsection, declares that the classes of animal, bird and insect set out hereunder shall be vermin for the purposes of the Vermin Act, 1918-1970, in respect of the whole or part or parts of the State, as the case may be, opposite those classes.

Class of Animal, Bird or Insect; Area of the State affected by this Declaration.

Animals other than Birds or Insects.

- Camels (*Camelus spp.*); run wild or being at large; the whole of the State.
- Dingoes (*Canis spp.*); the whole of the State.
- Dogs (*Canis spp.*); run wild or being at large; the whole of the State.
- Donkeys (*Equus asinus*); run wild or being at large; the whole of the State.
- Foxes (*Vulpes vulpes*); the whole of the State.
- Goats (*Capra hircus L.*); run wild or being at large; the whole of the State.
- Hares (*Lepus spp.*); the whole of the State.
- Kangaroos, Jungle, River Wallaby or Schimitar-tailed Wallaby (*Macropus agilis*); the municipal districts of Broome, West Kimberley and Wyndham.

Kangaroos, Red, Blue, Marloo (*Megaleia rufa*); and Hill, Euro, Biggada (*Macropus robustus*); the municipal districts of Ashburton, Boulder, Broome, Carnarvon, Cue, Hall's Creek, Laver-ton, Leonora, Marble Bar, Meekatharra, Men-zies, Mount Magnet, Mount Marshall, Murchi-son, Nullagine, Port Hedland, Roebourne, Sandstone, Tableland, Upper Gascoyne, West Kimberley, Wiluna, Wyndham and Yalgoo.

Pigs (*Sus scrofa*); run wild or being at large; the whole of the State.

Rabbits (*Order lagomorpha*); the whole of the State.

Toads, African (*Xenspus laevis*); the whole of the State.

Toads, Giant (*Bufo marinus*); the whole of the State.

Wombats (*Vombatus spp.*); the whole of the State except the portions east of the Meridian 125 degrees East and South of 29 degrees South.

Birds.

Birds, Exotic (Non-indigenous to Australia): with the exception of those species listed on Sched-ule (1); and Pheasants, Ring Necked (*Phasianus colchicus*); the whole of the State.

Cockatoos, White-tailed Black (*Calyptorhynchus baudinii*); the municipal districts of Denmark, Donnybrook and Plantagenet

Corella, Little (*Cacatua sanguinea*); the municipal districts of Coorow and West Kimberley.

Eagles, Wedge-tailed (*Aquila audax*); the municipal districts of Ashburton, Boulder, Broome, Carnarvon, Coolgardie, Cue, Laver-ton, Leonora, Marble Bar, Meekatharra, Murchison, Nulla-gine, Roebourne, Sandstone, Tableland, Upper Gascoyne and Wiluna.

Emus (*Dromaius novae-hollandiae*); the whole of State except the land within the boundaries of the following Vermin Districts: Cities of Fremantle, Melville, Nedlands, Perth, South Perth and Subiaco; Towns of Albany, Bunbury, Claremont, Cottesloe, East Fremantle, Midland, Mosman Park and Narrogin; Shires of Albany, Armadale/Kelmscott, Augusta/Margaret River, Bassendean, Bayswater, Belmont, Beverley, Boddington, Boyup Brook, Bridgetown/Green-bushes, Brookton, Broomehill, Busselton, Canning, Capel, Cockburn, Collie, Cranbrook, Cuballing, Dardanup, Denmark, Donnybrook, Gosnells, Harvey, Kalamunda, Katanning, Kojonup, Kwinana, Mandurah, Manjimup, Murray, Mundaring, Nannup, Narrogin, Pep-permint Grove, Perth, Pingelly, Plantagenet, Rockingham, Serpentine/Jarrahdale, Tam-bellup, Wagin, Wandering, Wanneroo, Waroo-na, Wickepin, West Arthur, Williams, Wood-anilling and York.

- Galaha (*Cacatua roseicapilla*); the municipal districts of Coorow, Moora, Morawa, Mukinbudin, Mullewa and Westonia.
- Lorikeets, Red Faced Lory (Little Lorikeet) (*Glossopsitta pusilla*); the whole of the State.
- Lorikeets, Lory, Scaly-breasted (*Trichoglossus chlorolepidotus*); the whole of the State.
- Lorikeets, Lory, Whisk (Musk Lorikeet) (*Glossopsitta concinna*); the whole of the State.
- Parrots, Port Lincoln or "28" (*Barnardius zonarius*); the municipal districts of Armadale/Kelmescott and Bridgetown/Greenbushes.
- Parrots, Queensland King (King Lory) (*Aprosmictus scapularis*); the whole of the State.
- Parrots, Red Capped or W.A. King (*Purpureiceps phalus spurius*); the municipal districts of Collie and West Arthur.
- Parrots, Regent or Smoker (*Polytelis anthopeplus*); the municipal districts of Broomehill, Gingin, Narrogin, Victoria Plains and Wickepin.
- Parrots, Rosella, Crimson (Red Lory) (*Platycercus elegans elegans*); the whole of the State.
- Parrots, Rosella, Eastern (including Golden Mantled Rosella) (*Platycercus eximius*); the whole of the State.
- Parrots, Rosella, Western (*Platycercus icterotis*); the municipal districts of Armadale/Kelmescott and Bridgetown/Greenbushes.
- Pheasants, Ring Necked (*Phasianus Colchicus*); the whole of the State except Rottnest Island.

Insects.

- Ants, Argentine (*Iridomyrmex humilis mayr*); the whole of the State.
- Grasshoppers, Small Plague (*Austroicetes cruciata*); the whole of the State.
- Locusts, Australian Plague (*Chortoicetes terminifera*); the whole of the State.

Passed By resolution of the Agriculture Protection Board at its ordinary meeting held on the 6th day of December, 1972.

The Common Seal of the Agriculture Protection Board of Western Australia was hereunto affixed in the presence of—

[L.S.] E. N. FITZPATRICK,
Chairman, Agriculture Protection Board.

Schedule.

- African Fire-Finch (*Estrilda senegala*).
- Aurora Finch (*Pytilia phoenicoptera*).
- Bleeding Heart Pigeon (*Gallinula lucionica*).
- Copper Pheasant (*Syrnaticus soemmerigii*).
- Cordon Bleu and Blue-Breasted Waxbill (*Estrilda angolensis*).
- Cuban Finch (*Tiaris canora*).
- Domestic Canary (*Serinus canarius*).
- Domestic Fowl and all Bantams (*Gallus gallus*).
- Domestic Turkey (*Meleagris gallopavo*).
- Elliott's Pheasant (*Syrnaticus ellioti*).
- Fire-Backed Pheasant (*Lophura diardi*).
- Golden Pheasant (*Chrysolophus pictus*).
- Golden-Breasted Waxbill (*Estrilda subflava*).
- Goldfinch (*Carduelis carduelis*).
- Guinea Fowl (*Numida meleagris*).
- Impeyan Pheasant (*Lophura impayanus*).
- Indian Turtle Dove (*Streptopelia chinensis*).
- Jagarini Finch (*Volatinia jacarini*).
- Lady Amherst's Pheasant (*Chrysolophus amherstiae*).
- Lavender Finch (*Estrilda caerulescens*).
- Melba Finch (*Tiaris olivacea*).
- Olive Finch (*Tiaris olivacea*).
- Peafowl (*Pavo cristatus*).
- Pigeons (*Columba livia*).
- Red-Crested Cardinal (*Parora cucullata*).
- Red-Faced Parrot-Finch (*Erythrura psittacen*).
- Reeve's Pheasant (*Syrnaticus reevesii*).
- Senegal Turtle Dove (*Streptopelia senegalensis*).
- Silver Pheasant (*Lophura nycthemara*).
- Swinhoe Pheasant (*Hierophasis swinhoei*).
- White Swan (*Cygnus olor*).

VERMIN ACT, 1918-1970.

NOTICE is hereby given pursuant to section 102A of the Vermin Act, 1918-1970, that it is proposed to use Sodium Fluoroacetate (1080) in the Vermin Districts shown below for the poisoning of rabbits.

From the publication of this Notice until further notice is published, the taking of rabbits or catching by any means except by poisoning is prohibited. Rabbits taken in breach of this prohibition are likely to endanger or be detrimental to human health or life, if consumed as food.

A person who takes or attempts to take rabbits in the Vermin Districts shown below after the publication of this Notice and before publication of a further notice cancelling this prohibition commits an offence against the Vermin Act, 1918-1970.

Penalty: Maximum of \$200.

Districts.

Albany.	Lake Grace.
Augusta-Margaret River.	Merredin.
Beverley.	Mingenew.
Boddington.	Moora.
Boyup Brook.	Morawa.
Bridgetown.	Mount Marshall.
Brookton.	Mukinbudin.
Broomehill.	Mullewa.
Bruce Rock.	Murray.
Busselton.	Nannup.
Capel.	Narembeen.
Carnamah.	Narrogin.
Chapman Valley.	Northam.
Chittering.	Northampton.
Collie.	Nungarin.
Coorow.	Nyabing-Pingrup.
Corrigin.	Perenjori.
Cranbrook.	Pingelly.
Cuballing.	Plantagenet.
Cunderdin.	Quairading.
Dalwallinu.	Ravensthorpe.
Dandaragan.	Serpentine-Jarrahdale.
Dardanup.	Swan-Guildford.
Donnybrook-Balingup.	Tambellup.
Dowerin.	Tammin.
Dumbleyung.	Three Springs.
Esperance.	Toodyay.
Gingin.	Trayning.
Gnowangerup.	Victoria Plains.
Goomalling.	Wagin.
Greenough.	Wandering.
Harvey.	Warona.
Irwin.	Westonia.
Katanning.	West Arthur.
Kellerberrin.	Wickepin.
Kojonup.	Williams.
Kondinin.	Wongan-Ballidu.
Koorda.	Woodanilling.
Kulin.	Wyalkatchem.
	York.

E. N. FITZPATRICK,
Chairman, Agriculture Protection Board.

VERMIN ACT, 1918-1970.

Waggrakine-Glenfield District of Greenough Shire Known as West Ward.

Agriculture Protection Board,
South Perth, 21st December, 1972.

NOTICE is hereby given under section 98 of the Vermin Act, 1918-1970, that all owners and/or occupiers of all or any holdings either owned, rented or leased, within the whole of the above-mentioned area shall, on the twelfth day of February, 1973, commence and continue for a period

of fourteen days, to suppress and destroy rabbits upon such holdings and upon roads bounding and intersecting such holdings.

The means and methods to be taken to suppress and destroy rabbits shall be by poisoning by laying oats poisoned with Sodium Fluoroacetate (1080) after pre-feeding with unpoisoned oats for at least three days. Oats to be laid in a shallow furrow. All areas of infestation on the holding to be poisoned as indicated.

E. N. FITZPATRICK,
Chairman, Agriculture Protection Board.

TEACHER EDUCATION ACT, 1972;
INTERPRETATION ACT, 1918-1970.

I, THOMAS DANIEL EVANS, the Minister for Education, acting pursuant to the provisions of section 84 of the Teacher Education Act, 1972, do hereby determine that Henry William Dettman, shall hold office as Chairman of the Council of the Western Australian Teacher Education Authority for a term of three years commencing on the 12th day of January, 1973.

THOMAS D. EVANS,
Minister for Education.

TEACHER EDUCATION ACT, 1972;
INTERPRETATION ACT, 1918-1970.

Office of the Minister for Education,
Perth, 15th December, 1972.

HIS Excellency the Governor, acting with the advice and consent of Executive Council, has been pleased to appoint, on the recommendation of the Minister, Henry William Dettman, of 110 Clement Street, Swanbourne, as Chairman of the Council of the Western Australian Teacher Education Authority.

THOMAS D. EVANS,
Minister for Education.

TEACHER EDUCATION ACT, 1972;
INTERPRETATION ACT, 1918-1970.

Office of the Minister for Education,
Perth, 15th December, 1972.

HIS Excellency the Governor, acting with the advice and consent of Executive Council, has been pleased to appoint, on the recommendation of the Minister, Neil Garratt Traylen, of 33 Lisle Street, Mount Claremont, as chief executive officer of the Western Australian Teacher Education Authority as from and including the 1st day of February, 1973.

THOMAS D. EVANS,
Minister for Education.

STATE TENDER BOARD OF WESTERN AUSTRALIA.

Accepted Tenders

Schedule No.	Contractor	Particulars	Department Concerned	Rate
660A/72	Harrisons & Crosfield (ANZ) Ltd.	Supply 200 Tonnes Solium Silico Fluoride as specified	M.W.B.	at \$146.45 per tonne
717A/72	Various	Supply 1 only Guillotine and 1 only Press Brake as specified	W.A.G.R.	Details on application
783A/72	McPhersons Ltd.	Supply 1 only Heavy Duty Centre Lathe as specified	M.W.B.	For the sum of \$22,357.50
787A/72	Skipper Chrysler Truck Centre	Supply 3 only 10 ton Trucks as specified	W.A.G.R.	at \$12,500 each
807A/72	Various	Supply 4 only Crawler Tractors as specified	M.R.D.	Details on application
810A/72	George Moss Pty. Ltd.	Supply Pumping Machinery as specified	M.W.B.	For the sum of \$6,702
822A/72	Chamberlain John Deere Pty. Ltd.	Supply 7 only Rear End Loaders as specified	M.R.D.	For the sum of \$55,757
835A/72	Various	Supply Tracheotomy Dressing Packs, etc., from 24th December, 1972, to 23rd December, 1973	Royal Perth Hospital	Details on application
849A/72	Boltons Pty. Ltd.	Supply 5 only Transportable Single Men's Accommodation Blocks as specified	P.W.D.	For the sum of \$52,570
868A/72	Imperial Typewriter Sales	Supply 288 only Typewriters 15 in as specified	Education	at \$101.60 each
878A/72	Sandover-McLean Ltd.	Supply 12 ton Sewn Spades as specified	W.A.G.R.	at \$683 per ton.
880A/72	Various	Supply Prosthetic Services from 14th December, 1972, to 7th December, 1973	Public Health	Details on application
882A/72	Chemical Industries Pty. Ltd.	Supply 2,4-D Technical Ethyl Ester from 1st January, 1973 to 31st December, 1973	Agriculture	at \$5.52 per gallon
885A/72	Amalgamated Chemicals	Supply Commercial Dalapon from 1st January, 1973, to 31st December, 1973	Agriculture	at 37 cents per lb.
887A/72	Ciba-Geigy Ltd.	Supply Commercial Wetting Agent from 1st January, 1973, to 31st December, 1973	Agriculture	at \$2.40 per gallon
862A/72	Soltoggio Bros.	Purchase and Removal of Little Ford Tar Spray (UQV 148) at East Perth	M.R.D.	For the sum of \$56.
876A/72	D. A. Stewart	Purchase and Removal of Kelly & Lewis Engine and Pump at Collie	Forests	For the sum of \$80.
911A/72	Various	Purchase and Removal of Miscellaneous Equipment at South Perth	Agriculture	Details on application
915A/72	Norwest Contracting Co.	Purchase and Removal of Holden Station Sedan (UQI 988) at Broome	P.W.D.	For the sum of \$375
920A/72	Cooper Motors	Purchase and Removal of Landrover Utility UQD 489) at Carnarvon	M.R.D.	For the sum of \$706.
941A/72	Lemdale Pty. Ltd.	Purchase and Removal of Ford Fairlane Sedan (UDG 029) at West Perth	Premiers	For the sum of \$3,105.
942A/72	Arrow Caravans	Purchase and Removal of Aristocrat Caravan (PW 104) at East Perth	P.W.D.	For the sum of \$400.
952A/72	Albert & Poole	Purchase and Removal of Landrover Utility (UQD 594) at Port Hedland	P.W.D.	For the sum of \$633.93.
953A/72	T. P. Bailey	Purchase and Removal of Holden Utility (UGH 627) at Port Hedland	P.W.D.	For the sum of \$455.75.
954A/72	N. Baker	Purchase and Removal of Lincoln Welder (PW 103) at East Perth	P.W.D.	For the sum of \$256.

STATE TENDER BOARD OF WESTERN AUSTRALIA.

Tenders for Government Supplies

Date of Advertising	Schedule No.	Supplies Required	Date of Closing
1972			1973
Dec. 1	1024A/1972	Manufacture—Bed Sheets, Polyester Sheeting, Polyester Poplin, Terry and Huckaback Towelling and Towels, Polyester Cotton, Uniforms, Dusters, Laundry Bags, Cotton Percale, Surgeons and Orthopaedic Gowns for Hospital Laundry and Linen Service	Jan. 4
Dec. 8	1032A/1972	Bore Screens—Mines Dept.	Jan. 4
Dec. 8	1033A/1972	Drafting Equipment—P.W.D.	Jan. 4
Dec. 8	1036A/1972	Supply, delivery and erection of Machinery Sheds at Margaret River and Northam	Jan. 4
Dec. 8	1046A/1972	Supply—Design, Manufacture, Delivery and Erection of Overhead Electric Travelling Crane—W.A.G.R.	Jan. 4
Dec. 15	1053A/1972	Tape Recorders for Primary and Secondary Schools	Jan. 4
Dec. 15	1060A/1972	Sleepers—W.A.G.R.	Jan. 4
Dec. 15	1062A/1972	Salt for Water Softening Plant—P.W.W.S.	Jan. 4
Dec. 8	1044A/1972	Wagon Wheels (300 only)—W.A.G.R.	Jan. 11
Dec. 15	1055A/1972	Mobile X-Ray Units (2 only)—R.P.H.	Jan. 11
Dec. 15	1067A/1972	Magnetic Flowmeter and Instrumentation for P.W.D.	Jan. 11
Dec. 22	1071A/1972	Supply, Delivery and Installation of X-Ray Bucky Tables (4 Only)	Jan. 11
Dec. 22	1072A/1972	Laundry Bags—Hospital Laundry and Linen Service	Jan. 11
Dec. 22	1077A/1972	Heavy Duty Transformer Type AC Electric Welding Machines for M.W.B.	Jan. 11
Dec. 22	1078A/1972	Making Only of Blue Uniform Shirts for W.A. Police Department	Jan. 11
Dec. 22	1079A/1972	Refrigerated Cargo Containers and Cargo Baskets	Jan. 11
Dec. 22	1082A/1972	Supply of Tea	Jan. 11
Dec. 22	1073A/1972	Tool Room Lathe (W.A.G.R.)	Jan. 18
Dec. 22	1083A/1972	Microfilm Reader Printer—M.R.D.	Jan. 18
Dec. 22	1084A/1972	Litter Bins—M.R.D.	Jan. 18
Sept. 1	693A/1972	Distillate Fuel for W.A.G.R.	Jan. 18
Dec. 8	1043A/1972	Cable Tool Drilling Rig for P.W.D.	Jan. 25
Dec. 15	1054A/1972	Delivery and Commissioning of Sodium Alginate Mixing Machine—M.W.B., Mirrabooka	Jan. 25
Dec. 15	1063A/1972	Gate Valves—P.W.W.S.	Jan. 25
Dec. 15	1064A/1972	Reflux Valves—P.W.W.S.	Jan. 25
Dec. 15	1065A/1972	Air Valves—P.W.W.S.	Jan. 25
Dec. 22	1081A/1972	Supply and Installation of Computer Output Microfilm (C.O.M.) Equipment (Treasury Department)	Feb. 1

† Documents also available for inspection only at W.A. Government Tourist Bureau Offices, Melbourne and Sydney.

The Manager,
W.A. Government Tourist Bureau,
128 King Street,
Sydney, N.S.W. 2000.

The Manager,
W.A. Government Tourist Bureau,
2 Royal Arcade,
Melbourne, Victoria 3000.

For Sale by Tender

Date of Advertising	Schedule No.	For Sale	Date of Closing
1972			1973
Dec. 8	1038A/1972	Motor Cycles (34 only) at Maylands	Jan. 4
Dec. 8	1039A/1972	Domestic Caravan (MRD.654) at Carnarvon	Jan. 4
Dec. 8	1042A/1972	Plant Spare Parts—M.R.D., Geraldton	Jan. 4
Dec. 15	1066A/1972	48 in. Extractor Fans, Wheel Assemblies, Mould Board Extensions at East Perth	Jan. 4
Dec. 22	1070A/1972	Wrapping Machine (No. C 145) at Government Stores, Royal Street, East Perth	Jan. 4
Dec. 15	1056A/1972	International TD 15B Dozer (MRD 869) at Kununurra	Jan. 11
Dec. 15	1057A/1972	Holden Utility (MRD 129) at Kununurra	Jan. 11
Dec. 15	1058A/1972	Holden Utility (MRD 150) at Carnarvon	Jan. 11
Dec. 15	1059A/1972	Lighting Plant (MRD 499) at Kununurra	Jan. 11
Dec. 15	1061A/1972	Landrover Station Wagon (MRD 1779) at Derby	Jan. 11
Dec. 15	1068A/1972	Holden Panel Van (MRD 131) at Kununurra	Jan. 11
Dec. 15	1069A/1972	Bedford J1 Truck (MRD 1654) at Kununurra	Jan. 11
Dec. 22	1074A/1972	Paxman Type 4 RW Stationary Diesel Engine (Dismantled) (Re-Called) at East Perth	Jan. 11
Dec. 22	1075A/1972	Scrap Aluminium Sheets (Government Printer, Wembley)	Jan. 11
Dec. 22	1076A/1972	Miscellaneous Pneumatic Tools at East Perth	Jan. 11
Dec. 22	1080A/1972	Concrete Mixers (M.R.D. 433 and 437) at Derby	Jan. 18

Tenders addressed to the Chairman, State Tender Board, 74 Murray Street, Perth, will be received for the abovementioned schedules until 10 a.m. on the dates of closing.

Tenders must be properly endorsed on envelopes otherwise they are liable to rejection.

Tender forms and full particulars may be obtained on application at the Tender Board Office, 74 Murray Street, Perth and at points of inspection.

No Tender necessarily accepted.

W. J. ROBINSON,
Chairman, Tender Board.

GOVERNMENT PRINTING OFFICE OF W.A.

TENDERS FOR GOVERNMENT PRINTING

Tenders are invited for supply of the undermentioned stores.

Tenders close at Wembley, Wednesday 3rd January, 1973, at 10.00 a.m.

Tender No.	Particulars of Stores or Service
XS 277	300,000 sheets of 3 part Continuous Lined Listing Paper, interleaved with One Time Carbon. Size 11 in. x 15 in.
XS 278	30,000 "Statement of Account" forms. Printed in Black ink both sides on White Bond. Perforated and folded to register and printed on one side with Blue Carbon. Size 14½ in. x 8 in. (flat).

Tenders are to be addressed to the Government Printer, Government Printing Office, Station Street, Wembley, and are to be endorsed with the Tender No.

Tender forms, envelopes and full particulars may be obtained on application at the Government Printing Office, Station Street, Wembley.

Acceptance of Tenders

Contract No.	Particulars	Contractor	Amount
XT 1131	5,000—2 to view Continuous forms Authorised Form of Receipt—162A-CA90	Lauson Paragon	\$125.00
XS 270	200 books—E.D. 210	Art Print	\$150.00

WILLIAM C. BROWN,
Government Printer.

APPOINTMENTS.

(Under section 6 of the Registration of Births, Deaths and Marriages Act, 1961-1965.)

Registrar General's Office,
Perth, 13th December, 1972.

THE following appointments have been approved:—

R.G. No. 36/61.—Mr. Raymond George Champion has been appointed as Acting District Registrar of Births, Deaths and Marriages for the Fremantle Registry District to maintain an office at Fremantle during the absence on annual leave of Mr. L. J. O'Hara. This appointment dates from 4th December, 1972.

R.G. No. 65/61.—Senior Constable Ernest Joseph Brown has been appointed as Assistant District Registrar of Births and Deaths for the Williams Registry District to maintain an office at Corrigin vice Sergeant D. M. Old. This appointment dates from 9th December, 1972.

R.G. No. 48/61.—Mr. Geoffrey Clinton Burnett has been appointed as Deputy District Registrar of Births, Deaths and Marriages for the Perth Registry District to maintain an office at Perth during the absence on other duties of Mr. R. W. Bradley. This appointment dates from 11th December, 1972.

R.G. No. 63/61.—Mr. Donald John Grose has been appointed as Assistant District Registrar of Births, Deaths and Marriages for the Wellington Registry District to maintain an office at Collie. This appointment dates from 11th December, 1972.

R.G. No. 74/61.—Mr. Kevin William Parsons has been appointed as Assistant District Registrar of Births, Deaths and Marriages for the Dundas Registry District to maintain an office at Esperance pending the appointment of a permanent appointee. This appointment dates from 11th December, 1972.

R.G. No. 93/72.—Constable Robert William Taylor has been appointed as Assistant District Registrar of Births and Deaths for the Geraldton Registry District to maintain an office at Morawa vice Sergeant J. E. Pearce. This appointment dates from 11th December, 1972.

R.G. No. 68/61.—Senior Constable Alan James Slater has been appointed as Assistant District Registrar of Births and Deaths for the Moora Registry District to maintain an office at Dalwallinu vice Sergeant R. W. Moore. This appointment dates from 13th December, 1972.

R.G. No. 42/61.—Mr. Wayne Gordon Tarr has been appointed as District Registrar of Births, Deaths and Marriages for the Merredin Registry District to maintain an office at Merredin vice Mr. C. M. Leahy. This appointment dates from 14th December, 1972.

R.G. No. 63/61.—Mr. John Denovan Lawson has been appointed as Assistant District Registrar of Births, Deaths and Marriages for the Wellington Registry District to maintain an office at Collie. This appointment dates from 15th December, 1972.

C. A. OCKERBY,
Registrar General.

MINING ACT, 1904

Department of Mines,
Perth, 13th December, 1972.

IT is hereby notified that, in accordance with the provisions of the Mining Act, 1904, His Excellency the Governor in Executive Council has been pleased to deal with the undermentioned Leases, License to Treat Tailings, Authorities to Mine and Temporary Reserves.

G. H. COOPER,
Under Secretary for Mines.

The undermentioned applications for Gold Mining Leases were approved, conditionally :—

Goldfield	District	No. of Application
Broad Arrow		24/2359
Coolgardie	Kunanalling	16/1065 to 16/1067 inc.
Dundas		2104
East Coolgardie	East Coolgardie	6687E
East Murchison	Black Range	1187B
Murchison	Meekatharra	2055N, 2056N, 2057N, 51/2079, 51/2080
North Coolgardie	Menzies	29/5818
North Coolgardie	Ularring	30/1203, 30/1204
North Coolgardie	Yerilla	31/1351
Pilbara		1295, 1299
Yilgarn		77/4617, 77/4648, 77/4665, 77/4666, 77/4669, 77/4670

The undermentioned applications for Mineral Leases were approved conditionally :—

Mineral Field	District	No. of Application
Northampton		298, 66/303

The undermentioned applications for Gold Mining Leases were refused :—

Goldfield	No. of Leases	Applicant
Kimberley	125 to 134 inc.	Westmex Limited
Murchison	2053N	G. R. Barker
Yilgarn	77/4615	H. A. Tame and R. W. White
Yilgarn	77/4649	W. Parker
Yilgarn	77/4650	A. T. Parker

IT is hereby notified that, in accordance with the provisions of the Mining Act, 1904, His Excellency the Governor in Executive Council has been pleased to renew for further periods of twenty-one years from the 1st day of January, 1973, the Gold Mining Leases shown below :—

Goldfield	District	No. of Lease
Dundas		1845 to 1853 inc.

The forfeiture of the undermentioned Leases for non-payment of rent are declared cancelled and the lessees reinstated as of their former estates :—

Goldfield	District	Lease	Lessee
Murchison	Meekatharra	2008N	Eclipse Mining and Exploration Pty. Ltd.
Murchison	Meekatharra	2015N and 2018N	L. V. Rinaldi, J. T. Davey and P. A. Strickland

The undermentioned application for a License to Treat Tailings was refused :—

No.	Licensee	Locality	Goldfield
2Z/70 (1756H)	J. J. Larcombe	Comet Vale	North Coolgardie

The undermentioned applications for Authorities to Mine on Reserved and Exempted Land were approved conditionally :—

No.	Occupant	Authorised Holding	Locality	Goldfield
24/50	D. Carline	P.A. 24/5864	Bardoc	Broad Arrow
57/56	Consolidated Gold Fields Australia Limited	M.C. 57/2620	Youanmi	East Murchison
1X/70 (5050H)	K. D. Cable	P.A. 1784X	Kanowna	North East Coolgardie

The undermentioned applications for Authorities to Mine on Reserved and Exempted Land were refused :—

No.	Occupant	Authorised Holding	Goldfield
16W/69 (3745H)	N. W. Lindfield and T. J. Mulder	M.C. 660W	Broad Arrow
26/24	C. R. Dasborough	P.A. 26/5726	East Coolgardie
12E/69 (3241H)	Nickel Mines Limited	M.C. 823E	East Coolgardie
107T/69 (3145H) to 110T/69 (3148H) inc.	T. Murray and F. Murray	M.C. 494T to 497T inc.	Mt. Margaret
462T/70 (4700H)	A. E. Kent	M.C. 3242T	Mt. Margaret
16Z/70 (6109H)	D. R. Price and C. D. Strachan	M.C. 1644Z	North Coolgardie

The Rights of Occupancy for the undermentioned Temporary Reserves have been granted: —

No.	Occupant	Term	Locality
5643H	Kennecott Explorations (Australia) Pty. Ltd.	12 months from the date of this notification in this <i>Gazette</i>	Situated at Weld Range in the Murchison Goldfield
5678H	Robert Mitford Rowell, John Gordon Lewis and Robert Maxted	12 months from the date of this notification in this <i>Gazette</i>	Situated at Richeuda River in the West Kimberley Goldfield

The Rights of Occupancy for the undermentioned Temporary Reserve has been renewed :—

No.	Occupant	Term	Locality
4694H	Phillip John Avery, Frederick William Shaw and James Alexander West	12 months to 16/9/73	Situated at Jimblebar in the Peak Hill Goldfield

EXPLOSIVES AND DANGEROUS GOODS ACT, 1961-1967.

Mines Department,
Perth, 13th December, 1972.

HIS EXCELLENCY the Governor in Executive Council, acting pursuant to the provisions of the Explosives and Dangerous Goods Act, 1961-1967, has been pleased to make the regulations set forth in the Schedule hereunder.

G. H. COOPER,
Under Secretary for Mines.

Schedule. Regulations.

1. In these regulations the Flammable Liquids Regulations, 1967, published in the *Gazette* on the sixteenth May, 1967, as amended from time to time by notice published in the *Government Gazette*, are referred to as the principal regulations.

2. These regulations shall have and take effect on and after the first day of January, 1973.

3. Regulation 156 of the principal regulations is amended—

(a) by deleting subregulation (1) and substituting a new subregulation as follows:—

(1) Annual fees payable for each licence and for renewal of same shall be as follows:—

For each licensed premises in which the approved liquid storage—	\$
Does not exceed 500 gallons	3
Exceeds 500 but does not exceed 5,000 gallons	6
Exceeds 5,000 but does not exceed 10,000 gallons	15
Exceeds 10,000 but does not exceed 50,000 gallons	40
Exceeds 50,000 but does not exceed 500,000 gallons	85
Exceeds 500,000 but does not exceed 1,000,000 gallons	250
Exceeds 1,000,000 but does not exceed 2,000,000 gallons	400
Exceeds 2,000,000 but does not exceed 3,000,000 gallons	500
Exceeds 3,000,000 but does not exceed 4,000,000 gallons	600
Exceeds 4,000,000 but does not exceed 5,000,000 gallons ..	700
Exceeds 5,000,000 gallons ..	800

(b) by deleting subregulation (3) and substituting a new subregulation as follows:—

(3) For any transfer of a licence there shall be paid a fee of two dollars.

COMPANIES ACT, 1961-1971.

(Section 254 (c).)

Notice of Resolution.

Australian Gypsum (W.A.) Pty. Limited.

NOTICE is hereby given that at a General Meeting of Members held on 7th December, 1972 the following special resolution was duly passed—

That the company be wound up voluntarily and that Mr. A. E. Boddington be appointed as liquidator for the purpose of such winding up, and that the liquidator be authorised to divide all or such part of the surplus assets of the company as he shall think fit amongst the members of the company in specie.

Dated at Perth this 14th day of December, 1972.

A. E. BODDINGTON,
Liquidator.

(Messrs. Peat, Marwick, Mitchell & Co., 55 St. George's Terrace, Perth, W.A.)

COMPANIES ACT, 1961-1971.

(Section 21 (2); Sections 26 (1), (2) and 146 (1);
Section 28 (9); Section 140G (1); Section 254
(2).)

Notice of Resolution.

Wanneroo Investments Pty. Limited.

To the Registrar of Companies:

AT a general meeting of the members of Wanneroo Investments Pty. Limited duly convened and held at 179b St. George's Terrace, Perth, on the 15th day of December, 1972, the special resolution set out below was duly agreed to.

It is resolved that the company be wound up voluntarily and that Dudley Norman Allan, Chartered Accountant of 37 St. George's Terrace, Perth, be and is hereby appointed liquidator.

Dated this 15th day of December, 1972.

W. E. JEFFREY,
Secretary.

COMPANIES ACT, 1961-1971.

(Section 254.)

Wyalkatchem Aviation Pty. Ltd.

AT a general meeting of the members of Wyalkatchem Aviation Pty. Limited, duly convened and held at Wyalkatchem on the 11th day of December, 1972, the Special Resolution set out below was duly passed:—

- (1) That the Company be wound up voluntarily and that a Liquidator be appointed for the purpose of winding up.
- (2) That William John Eric Pallot of 22 Grey Street, Northam be appointed liquidator of the Company.

Dated this 13th day of December, 1972.

W. J. E. PALLOT,
Liquidator.

COMPANIES ACT, 1961-1972.

(Section 308, Subsection (4).)

NOTICE is hereby given that the names of the undermentioned Companies have been Struck Off the Register of Companies and the said Companies are dissolved as from the date of publication of this Notice.

- S.116/27—Waverley Dry Cleaners Pty. Limited.
S.142/34—Abo Gold Explorations & Flotations Limited.
S.62/50—Club Investments Pty. Ltd.
S.112/50—Democrat Ltd.
S.96/53—Godfrey Lorden Motors Pty. Ltd.
S.32/54—Industrial Development Pty. Limited.

- S.39/55—Yallalong Pastoral Company Pty. Ltd.
S.40/55—Muggon Pastoral Company Pty. Ltd.
S.40/58—Perth Security Services Pty. Ltd.
S.178/59—PAC (W.A.) Pty. Ltd.
S.277/59—W.A. Timber Imports Pty. Limited.
S.125/60—Bailey Diesels Pty. Ltd.
S.444/62—R.C.M. Investments Pty. Ltd.
S.167/63—Roco Enterprises Pty. Ltd.
S.219/63—Eudamullah Pty. Ltd.
S.343/63—Sleep & Northcott Investigations Pty. Ltd.
S.380/63—The A.N.Z. Metal Co. Pty. Ltd.
S.136/64—Perth Enterprises Pty. Ltd.
S.218/64—Dempster & Gilbert Pty. Ltd.
S.232/64—Endura (W.A.) Pty. Ltd.
S.510/64—Philip Sidney Pty. Ltd.
S.529/64—John Morley Pty. Ltd.
S.270/65—Metallic Mineral Explorations Pty. Ltd.
S.290/65—Cobb Heights Pty. Ltd.
S.13/66—Montse Pty. Ltd.
S.61/66—Mineral Separation Patents Pty. Ltd.
S.75/66—Western Park Estate Agency Pty. Ltd.
S.651/66—Taxi Owners Mutual Provident Company Limited.
S.33/67—Bradale Pty. Ltd.
S.84/67—Mutual Constructions Pty. Ltd.
S.493/67—Monty Miller Enterprises Pty. Ltd.
S.535/67—Fisher Contracting Service Pty. Ltd.
S.597/67—Crommellin Concrete Pumps (A.C.T.) Pty. Ltd.
S.598/67—Crommellin Concrete Pumps (S.A.) Pty. Ltd.
S.600/67—Crommellin Concrete Pumps (Tas.) Pty. Ltd.
S.601/67—Crommellin Concrete Pumps (N.S.W.) Pty. Ltd.
S.602/67—Crommellin Concrete Pumps (Qld.) Pty. Ltd.
S.603/67—Crommellin Concrete Pumps (W.A.) Pty. Ltd.
S.813/67—Paint Wholesalers Pty. Ltd.
S.851/67—Super Bin Constructions Pty. Ltd.
S.852/67—Goliath Construction Pty. Ltd.
S.897/67—G. Demasi Pty. Ltd.
S.91/68—Edwards-Johnston Developments Pty. Ltd.
S.125/68—Tex-Glass (W.A.) Pty. Ltd.
S.226/68—Dalmatia Boat Building Co. Pty. Ltd.
S.317/68—W.A. Shutter Service Pty. Ltd.
S.318/68—Steco Security Services Pty. Ltd.
S.433/68—M.V.K. Pty. Ltd.
S.458/68—Bauform Hiring Pty. Ltd.
S.507/68—Seddon Holdings Pty. Ltd.
S.537/68—G. Carter Pty. Ltd.
S.713/68—McDonald Enterprises Pty. Ltd.
S.725/68—Alum Brick Pty. Ltd.
S.802/68—Animal Production Services Pty. Ltd.
S.833/68—Cleanall Pty. Ltd.
S.883/68—G. & P. Constructions Pty. Ltd.
S.1222/68—Home Maintenance Specialists Pty. Ltd.
S.1310/68—Nick-L Resources Pty. Ltd.
S.1606/68—Lennon Constructions Pty. Ltd.
S.309/69—George of Perth Pty. Ltd.
S.315/69—New Press Pty. Ltd.
S.373/69—Lukehurst Holdings Pty. Ltd.
S.710/69—Group 3 Interiors Pty. Ltd.
S.1330/69—Anderson & Jack Pty. Ltd.
S.1534/69—Clox Dry Cleaners Pty. Ltd.
S.1612/69—London Theatrical Promotions Pty. Ltd.
S.1705/69—Star Travel Service Pty. Ltd.
S.1716/69—Bardic Corporation Pty. Ltd.
S.201/70—Purple Parrot (Perth) Pty. Limited.
S.225/70—Paynes Find Hotel Motel Pty. Ltd.
S.312/70—Tanya Holdings Pty. Ltd.
S.315/70—Glenmore Holdings Pty. Ltd.
S.425/70—Tornado Parcel Express Pty. Ltd.

S.470/70—W. V. Hopper Constructions Pty. Ltd.
 S.562/70—Amillion Pty. Ltd.
 S.836/70—Inferno Diversified Pty. Ltd.
 S.1097/70—Chas Golding & Sons Pty. Ltd.
 S.1203/70—James A. Bond Pty. Ltd.
 S.1252/70—Garden City (W.A.) Limited.
 S.1429/70—Constant Advertising Agency Pty. Ltd.
 S.1699/70—Swan Reliance Distributors Pty. Ltd.
 S.119/71—J.R.H. & P.M.H. Pty. Ltd.
 S.526/71—A. & S. Agencies Pty. Ltd.
 S.1529/71—Brandysmyth Pty. Ltd.

Dated the 18th day of December, 1972.

A. C. MANNING,
 Registrar of Companies.

COMPANIES ACT, 1961-1972.

(Section 202 (2) (c).)

Multi Plant Pty. Ltd.

I, RODNEY MICHAEL EVANS, of 28 View Street, Peppermint Grove 6011, being the Official Manager of Multi Plant Pty. Ltd. do hereby certify that at a meeting of creditors of the company duly convened and held on the 13th day of December, 1972, a special resolution within the meaning of section 198 of the Companies Act, 1961 a true copy of which is set out below was duly passed:—

Special Resolution: That as it is the opinion of the meeting that the company is unable to pay its debts as and when they become due and payable but that the company may be able to pay its debts under Official Management, the company be and is now placed under Official Management for a period of 12 months herefrom.

Dated at Perth this 18th day of December, 1972.

R. M. EVANS,
 Official Manager.

(Melsom, Wilson & Partners, 11th Floor, T & G Building, 37 St. George's Terrace, Perth 6000.)

COMPANIES ACT, 1961-1972.

(Section 254 (2).)

Notice of Resolutions.

Ramsgate Engineering Pty. Ltd.

NOTICE is hereby given that at an extraordinary general meeting of the members of Ramsgate Engineering Pty. Ltd. held on the 6th day of December, 1972, and confirmed at a meeting of creditors held on the 13th day of December, 1972, the following Special Resolution was passed:—

That the Company be wound up voluntarily and that Ronald Wyndham Brown, Chartered Accountant be appointed Liquidator.

Dated at Perth this 14th day of December, 1972.

R. W. BROWN,
 Liquidator.

(Garland Brown & Co., Chartered Accountants, 37 St. George's Terrace, Perth, 6000.)

COMPANIES ACT, 1961-1972.

(Section 254 (2).)

Notice of Resolution.

Perdrix Pty. Ltd.

NOTICE is hereby given that at an Extraordinary General Meeting of the members of Perdrix Pty. Ltd. held on the 18th day of December, 1972 the following Special Resolution was duly passed:—

- (a) That the Company be wound up voluntarily, and
- (b) that James Benjamin Leach be appointed Liquidator of the Company for the purpose of such winding-up.

Dated the 18th day of December, 1972.

G. A. KING,
 Director.

TRUSTEES ACT, 1962.

Notice to Creditors and Claimants.

THE WEST AUSTRALIAN TRUSTEE EXECUTOR AND AGENCY COMPANY LIMITED, of 135 St. George's Terrace, Perth requires creditors and other persons having claims (to which Section 63 of the Trustees Act 1962 relates) in respect of the estates of the undermentioned deceased persons, to send particulars of their claims to it by the date stated hereunder, after which date the Company may convey or distribute the assets, having regard only to the claims of which it then has notice.

Last date for claims 22/1/1973.

Campion, Wilfrid Edward, late of West Coombe, North Bank, Hassocks, Sussex, England, botanist, died 3/4/72.

Dennehy, Gertrude Eliza, formerly of Flat 2, 49 Colin Street, West Perth, late of Marianum Rest Home, 14 Heytesbury Road, Subiaco, widow, died 24/9/72.

Goldthorpe, Harry Charles Sherwood, 48 Wood Street, Swanbourne, retired clerk, died 3/9/72.

Gordon, Mary Jane, formerly of Pingelly, late of Saint David's Home for the Aged, 19 Lawley Crescent, Mount Lawley, widow, died 2/10/72.

Herridge, Edward Colston, late of 15 Sholl Avenue, North Beach, contractor, died 13/7/72.

Hickey, Veronica Joy, late of 25 Hovea Terrace, South Perth, widow, died 31/7/72.

King, Reginald Sandford, late of Wallall Downs, Port Hedland, Pastoralist, died 11/9/72.

Knowler, Alexander Sydney Bernard, late of Port Denison via Dongara, retired fisherman, died 7/10/72.

Maring, Jacob, formerly of Henderson Road, Serpentine late of 18 Robin Hood Avenue, Armadale.

McDonagh, Roderick, late of 61 Stirling Highway, North Fremantle, photographer, died 9/7/72.

McGillicuddy, Mary Ellen, late of 150 Grosvenor Road, North Perth, spinster and retired tailoress, died 13/5/72.

McLarty, Charlotte Ada, late of Martindale Hospital, Applecross, widow, died 24/1/72.

Reardon, Harriett Annie, late of 184 Sixth Avenue, Inglewood, widow, died 30/7/72.

Shakespeare Thomas, late of 47 Stafford Street, Kenwick, foundry worker, died 19/7/72.

Smythe, Constance, formerly of 31 Irvine Street, Cottesloe, late of Subiaco Memorial Hospital, 173 Heytesbury Road, Subiaco, widow, died 17/10/72.

Vincent, Dudley, late of 16 Kingsway, Nedlands, retired chemical engineer died 11/8/72.

C. E. PLINT,
 Manager.

PUBLIC TRUSTEE ACT, 1941-1968.

NOTICE is hereby given that pursuant to section 14 of the Public Trustee Act, 1941-1968 the Public Trustee has elected to administer the estates of the undermentioned deceased persons.

A. E. MARSHALL,
 Public Trustee,
 565 Hay Street, Perth.

Name of Deceased; Occupation; Address; Date of Death; Date Election filed.

Ahearn, Joseph Michael; Retired Windmill Hand; Mount Magnet; 24/7/72; 20/11/72.

Doyle, James; Hotelkeeper; Kununulling; 28/7/72; 12/12/72.

Noneckyj, Nicholay; Labourer; Kununurra; 22/5/72; 12/12/72.

Purchase, Ivy E.; Spinster; Coolgardie; 7/4/72; 14/12/72.

Colless, Nancy N.; Divorcee; Claremont; 4/5/72; 30/11/72.

Short, Irene Ethel; Widow; Tuart Hill; 24/8/72; 14/12/72.

TRUSTEES ACT, 1962.

Notice to Creditors and Claimants.

CREDITORS and other persons having claims (to which section 63 of the Trustees Act relates) in respect of the estates of the undermentioned deceased persons are required to send particulars of their claims to me on or before the respective dates shown hereunder after which dates I may convey or distribute the assets, having regard only to the claims of which I then have notice.

Dated this 18th day of December, 1972.

A. E. MARSHALL,
Public Trustee,
565 Hay Street, Perth.

Name; Address and Occupation; Date of Death;
Last Date for Claims.

Baker, Edwin James; 25 Swan Street, East Guildford, W.A.G.R. Employee; 28/11/72; 5/2/73.
Berkavicius, Ingrid Helen; 25 Fairway, Nedlands, Spinster; 14/5/72; 5/2/73.
Brooks, Lorna Christina; 50 Devenish Street, East Victoria Park, Divorcee; 27/10/72; 5/2/73.
Calic, Radislav; Wyndham, Labourer; 23/9/72; 22/1/73.
Cook, Mary Theresa; 8 Afric Street, Middle Swan, Widow; 28/11/72; 22/1/73.
Coombs, Annie Chessen; 217 Grand Promenade, Dianella, Widow; 14/11/72; 5/2/73.
Davey, Eveline Ellen; Woodward Street, Coolgardie, Widow; 22/11/72; 29/1/73.
Dixon, Evaline Ann; 35 Gilbert Street, Bayswater, Married Woman; 11/11/72; 5/2/73.
Dwyer, William Joseph Brenden; Craigwood Convalescent Hospital, 29 Gardener Street, Como, Retired Gardener; 14/11/72; 5/2/73.
Ellard, Jessie Elizabeth; 78 Teague Street, Victoria Park, Widow; 13/11/72; 5/2/73.
Gulson, William Thomas; 6 Forster Avenue, Lathlain, Retired Police Officer; 20/11/72; 22/1/73.
Halse, Clement Henry; formerly of 237 Mill Point Road, South Perth, late of Hollywood Regional Hospital, Retired Warehouseman; 1/12/72; 5/2/73.
Hawkesford, Dorothy Elese; 7 Percy Street, Grace-town, Cowaramup Bay, Married Woman; 15/10/72; 29/1/73.
Hirst, Jack; 13 Evershed Street, Myaree, Electrician; 16/11/72; 5/2/73.
Huntley, Leslie Norman; Flat 172, Rivergum Way, Rowethorpe, Bentley, Retired Engineer; 25/11/72; 5/2/73.
Johnson, Mabel; 27 Queen Street, Bentley, Widow; 13/11/72; 5/2/73.
Jones, Ellen Jane; Collie District Hospital, Collie, Widow; 14/9/72; 29/1/73.
Larsson, John; 62 Stevens Street, South Fremantle, Retired Gardener; 17/11/72; 5/2/73.
Leahy, William John Redmond; 41 Salisbury Street, Subiaco, Retired Point; 12/11/72; 5/2/73.
Mack, Edith Anne; 7 Moorgate Street, East Victoria Park, Widow; 30/11/72; 5/2/73.
Mann, Eric Horsley; 8 Atkins Road, Applecross, Retired Garage Attendant; 5/11/72; 5/2/73.
Masters, Aubrey; Gingin, W.A., retired Forestry Employee; 22/11/72; 29/1/73.
Moss, Selma Johanne; 57 Kenwick Road, Kenwick, Widow; 27/10/72; 5/2/73.
Racklyeft, John Arthur; Claremont, Turner/Engineer; 1/8/72; 22/1/73.
Rycroft, Stanley George; 22 Francis Street, Bayswater, School Teacher; 30/11/72; 5/2/73.
Short, Irene Ethel, 13 Edna Street, Tuart Hill, Widow; 24/3/72; 5/2/73.
Sinclair, Lawrence; Government Road, Wooroloo, Retired Storeman; 29/11/72; 5/2/73.
Walker, Helen Gertrude; 25 Albion Street, Cottesloe, Widow; 21/11/72; 5/2/73.
Watt, Bruce James; 11 Cleland Street, Mount Claremont, Press Photographer; 21/11/72; 5/2/73.

BANKRUPTCY ACT 1966 (AS AMENDED).

Re. Part X.

Bankruptcy District of the State of
Western Australia.

Notice of Execution of Deed.

No. 109 of 1972—Part X.

Re Robert Bruce Baker of 126 Mills Road, Gosnells and Jacqueline Hannah Baker, of 146 Coode Street, Como.

NOTICE is hereby given that the abovenamed Debtors have on 27th November, 1972, executed a Deed of Arrangement to Wilfred Ivan Keogh, Chartered Accountant of 22 Boston Way, Booragoon in the State of Western Australia and the same is now lying for inspection at the offices of Morgan, Priddy & Keogh, Chartered Accountants.

Dated at Perth this 20th day of December, 1972.

W. I. KEOGH,
Trustee.

(Morgan, Priddy & Keogh, 1315 Hay Street, West Perth, 6005.)

TWENTY-SEVENTH PARLIAMENT OF WESTERN AUSTRALIA ACTS AND ACT AMENDMENTS.

Third Session: 14 March, 1972-2 June, 1972,
Nos. 1 to 43.

Act No.		Per Copy
1.	W.A. Marine (assented to 8/5/72)	10c
2.	Presbyterian Church of Aust. (assented to 8/5/72)	10c
3.	Education (assented to 8/5/72)	10c
4.	Parks and Reserves (assented to 8/5/72)	10c
5.	Beekeepers (assented to 8/5/72)	10c
6.	Bee Industry Compensation (assented to 8/5/72)	10c
7.	Police (assented to 25/5/72)	10c
8.	Housing Loan Guarantee (assented to 25/5/72)	10c
9.	Constitution Acts Amendment (assented to 25/5/72)	10c
10.	Legal Contribution Trust (assented to 25/5/72)	10c
11.	Pig Industry Compensation (assented to 25/5/72)	10c
12.	Zoological Gardens Act, 1972 (New Act) Repeals 62 Vict. No. 32 1898 (assented to 25/5/72)	10c
13.	Construction Safety Act, 1912 (New Act) (assented to 25/5/72)	40c
14.	Transfer of Land (assented to 25/5/72)	10c
15.	Gas Standards Act, 1972 (New Act) Repeals No. 75 of 1946-56 (assented 26/5/72)	10c
16.	Gas Undertakings (assented to 26/5/72)	10c
17.	Justices (assented to 26/5/72)	10c
18.	Judges Salaries and Pensions (assented to 26/5/72)	10c
19.	Public Works (assented to 26/5/72)	10c
20.	Traffic (assented to 26/5/72)	10c
21.	Criminal Code (See also No. 41/72) (assented to 26/5/72)	10c
22.	State Housing (assented to 26/5/72)	10c
23.	Public Service (assented to 26/5/72)	10c
24.	Aboriginal Affairs Planning Authority Act, 1972 (New Act) (assented to 9/6/72)	30c
25.	State Trading Concerns (assented to 9/6/72)	10c
26.	West Kambalda Railway Act, 1972 (New Act) (assented to 9/6/72)	10c
27.	Child Welfare (No. 2) (assented to 9/6/72)	10c

Acts of Parliament—*continued.*

Act No.		Per Copy
28.	Public Trustee (assented to 9/6/72)	10c
29.	Wood Distillation, Charcoal Iron and Steel (assented to 9/6/72)	10c
30.	Iron Ore (Goldsworthy-Nimingarra) Agreement Act, 1972 (New Act) (assented to 16/6/72)	50c
31.	Community Welfare Act, 1972 (New Act) (assented to 16/6/72)	10c
32.	Stamp (assented to 16/6/72)	10c
33.	Hospitals (assented to 16/6/72)	20c
34.	Town Planning and Development (assented to 16/6/72)	10c
35.	Main Roads (assented to 16/6/72)	10c
36.	Iron Ore (Rhodes Ridge) Agreement Act, 1972 (New Act) (assented to 16/6/72)	60c
37.	Iron Ore (Mt. Bruce) Agreement Act, 1972 (New Act) (assented to 16/6/72)	60c
38.	Iron Ore (Wittenoom) Agreement Act, 1972 (New Act) (assented to 16/6/72)	60c
39.	Iron Ore (Hamersley Range) (assented to 16/6/72)	10c
40.	District Courts (assented to 16/6/72)	10c
41.	Criminal Code (No. 2) (assented to 16/6/72)	10c
42.	Motor Vehicle (Third Party Insurance) (assented to 16/6/72)	10c
43.	Metropolitan Water Supply, Sewerage and Drainage (assented to 16/6/72)	10c

SPECIAL NOTICE.

ADVERTISEMENTS.—Notices for insertion must be received by the Government Printer at the Government Printing Office, Station Street, Wembley 6014, or at the Main Hall, Treasury Buildings, St. George's Terrace, Perth, BEFORE TEN O'CLOCK a.m. on THURSDAY, or the day preceding the day of publication, and are charged at the following rates:—

For the first eight lines, \$2.

For every additional line, 20c. and half-price for each subsequent insertion.

To estimate the cost of an advertisement, count eight words to a line; heading, signature and date being reckoned as separate lines.

All fees are payable in advance. Remittances should be made by money order, postal note, or cheque.

The office at the Treasury Buildings, Perth, will be closed each day between 1 p.m. and 2 p.m.

Where signatures are appended to copy for publication in the *Government Gazette* they must appear in typewritten or block characters below the written signature. Unless this is done, no responsibility will be accepted by this office for any error in the initials or names as printed.

All communications should be addressed to "The Government Printer, Station Street, Wembley".

GOVERNMENT GAZETTE.

NOTICE.

Subscriptions are required to commence and terminate with a quarter.

The *Government Gazette* is published on Friday in each week, unless interfered with by public holidays or other unforeseen circumstances.

SUBSCRIPTIONS.—The subscriptions to the *Government Gazette* is as follows:—Annual subscriptions, \$12; nine months, \$10; six months, \$7; three months, \$4; single copy (current year), \$0.30; single copy (previous years, up to 10 years), \$0.50;

Report of Honorary Royal Commission.

HIRE PURCHASE AND OTHER AGREEMENTS, 1972.

Copies available at Parliamentary Papers, Perth and Wembley.

Sales—

Mailed—\$2.24.

Over the counter—\$2.00.

CONTENTS.

	Page
Agricultural Products Act	4794
Agriculture, Department of	4756-7, 4793-4
Appointments	4761-2, 4764-5, 4766, 4768, 4789
Audit Act	4760
Bankruptcy Act	4804
Bread Act	4793
Bush Fires Act	4774-5
Cattle Industry Compensation Act—Regulations	4795
Charitable Trusts Act	4766
Chief Secretary's Department	4755, 4766
Commissioners for Declarations	4764
Companies Act	4802-3
Country Areas Water Supply Act	4758
Country Towns Sewerage Act	4758
Crown Law Department	4755, 4764-5
Deceased Persons' Estates	4803-4
Dentists Act Amendment Act, 1972—Day of coming into operation	4755
Education Department	4756, 4797
Electoral	4765
Explosives and Dangerous Goods Act—Regulations	4801
Factories and Shops	4792
Fauna Conservation Act	4768
Fire Brigades Act Amendment Act, 1972—Day of coming into operation	4755
Fisheries	4768
Fuel, Energy and Power Resources Act	4792
Harbour and Light Department	4777-8
Health Department	4755, 4766-7
Shire of Gosnells—By-laws	4767
Toxic and Hazardous Substances Regulations	4767
Labour, Department of	4792-3
Land Acquisitions	4778-80
Land Agents Act	4760
Land Drainage	4758
Lands Department	4756, 4757, 4768-74, 4781-3
Local Courts Act	4764-5
Local Government Department	4756, 4758-60, 4785-92
Main Roads	4784
Medical Department	4766
Metropolitan Water Supply, etc.	4758, 4784-5
Mines Department	4800-1
Municipalities	4756, 4758-60, 4785-92
Museum Act	4760
Navigable Waters Regulations	4778
Notices of Intention to Resume Land	4781-4
Orders in Council to Resume Land	4757-60
Physiotherapists Act	4766
Plant Diseases Act	4756-7, 4793-4
Regulations	4793
Police Department	4755, 4768
Premier's Department	4760
Port Hedland Port Authority Act	4777
Proclamations	4755-6
Property Law Act Amendment Act (No. 2), 1971—Day of coming into operation	4755
Public Service Arbitration Act	4764
Public Service Board	4761-4
Public Service Holidays	4762
Public Trustee	4803-4
Public Works Department	4758, 4777-81
Registrar General	4799
Resumptions	4781
Road Closure Act	4756
Sale of Land	4777
Sale of Unclaimed Found and Lost Property	4768
Stamp Act	4760
State Taxation	4760
Sworn Valuers	4765
Teacher Education Act, 1972—Day of coming into operation	4756
Teacher Education Act; Interpretation Act	4797
Temporary Allocation of Portfolios	4760
Tender Board	4797-8
Tenders Accepted	4797, 4799
Tenders for Government Printing	4799
Tenders Invited	4798, 4799
Town Planning	4775-7
Traffic Act Amendment Act (No. 3), 1972—Day of coming into operation	4755
Treasury	4760
Trustees Act	4803-4
Vermin Act	4795-7
Western Australian Tertiary Education Commission Act Amendment Act, 1972—Day of coming into operation	4756