

CE302*

Fair Trading Act 1987

Fair Trading (Product Safety Standard) Amendment Regulations (No. 2) 2008

Made by the Lieutenant-Governor and deputy of the Governor in Executive Council.

1. Citation

These regulations are the *Fair Trading (Product Safety Standard) Amendment Regulations (No. 2) 2008*.

2. Commencement

These regulations come into operation as follows:

- (a) regulations 1 and 2 — on the day on which these regulations are published in the *Gazette*;
- (b) the rest of the regulations — on 1 July 2008.

3. The regulations amended

The amendments in these regulations are to the *Fair Trading (Product Safety Standard) Regulations 2001*.

4. Part 25 inserted

Before Schedule 1 the following Part is inserted —

“

Part 25 — Prams and strollers**61. Terms used in this Part**

In this Part —

“**pram**” means a wheeled vehicle with a body of box-like or boat-like shape designed to transport a baby or child weighing up to and including 9 kg primarily in a fully reclined position;

“**stroller**” means a wheeled vehicle designed to transport a child in a seated position, and which may also be adjusted to a semi-reclined or a fully reclined position.

62. Product safety standard for prams and strollers

The product safety standard for prams and strollers consists of the standard set out in Schedule 17 Division 1, as varied by Schedule 17 Division 2.

”.

5. Schedule 17 inserted

After the last Schedule, the following Schedule is inserted —

“

Schedule 17 — Product safety standard for prams and strollers

[r. 62]

Division 1 — AS/NZS 2088:2000**1. AS/NZS 2088:2000**

Australian/New Zealand Standard AS/NZS 2088:2000
“Prams and strollers — Safety requirements” published by Standards Australia on 15 December 2000.

Division 2 — Variations to AS/NZS 2088:2000**2. Clause 1**

In clause 1 delete the first sentence and insert instead —

“

This standard specifies safety requirement for prams and strollers.

”.

3. Clauses deleted

Delete the following clauses —

cl. 2	cl. 3	cl. 5
cl. 6	cl. 7.1	cl. 7.2
cl. 7.3	cl. 7.4	cl. 7.5
cl. 7.7	cl. 7.9	cl. 8.1
cl. 8.2	cl. 8.3	cl. 8.4
cl. 8.6.1	cl. 8.8	cl. 8.9
cl. 8.10	cl. 9	cl. 10
App B	App C	App D
App E	App F	App G
App H	App K	App O
App P	App Q	

4. Clause 7.6

In clause 7.6 delete “(See Note to Clause 7.5)” and insert instead —

“

The colour of the parking device actuator shall be red. The surrounding frame work and mouldings shall be a contrasting colour.

”.

5. Clause 7.8

- (1) In clause 7.8.1.1(a) delete “comprising shoulder,” and insert instead —

“ that includes ”.

- (2) In clause 7.8.1.1(a) delete “An example is shown in Figure 3.”.

- (3) In clause 7.8.1.1 delete paragraphs (b), (c) and (d).

- (4) In clause 7.8.1.1(e) delete “Items (a) and (b)” and insert instead —

“ Item (a) ”.

- (5) In clause 7.8.1.1 delete Figure 3.

- (6) Delete clause 7.8.1.2.

- (7) In clause 7.8.1.3 delete “at a point where the seat cannot be pulled away from the frame of the stroller by pulling the restraint straps”.

6. Clause 7.10

At the end of clause 7 insert —

“

7.10 Tether strap

- (a) Vehicles shall be provided with a suitable strap to allow the vehicle to be tethered to the vehicle operator while it is in use.
- (b) The tether strap shall be designed to reduce the possibility of it being a strangulation hazard for infants inside or outside the vehicle.
This includes the following requirements:
- (i) The length of the strap shall be as short as practical.
 - (ii) Any loop in the strap shall have a perimeter of less than 360 mm.

”.

7. Clause 8.6.2

- (1) In clause 8.6.2(a) —
- (a) after the paragraph heading insert —

“

The head barrier must comply with either subparagraph (i) or subparagraph (ii).

”;

- (b) before “When tested” insert “(i)”;
- (c) in paragraph (a) delete “(See also note to Clause 7.9.)”;
- (d) at the end of paragraph (a) insert —

“

- (ii) When tested in accordance with the following procedures the test ball shall not fall out of the seat unit.

Recline the backrest of the seat unit to the most reclined position. Attach, according to the manufacturer’s instructions, the textile parts intended to retain the child (including the rear part of the hood and aprons).

Fix the vehicle to a plane inclined to 45° with respect to the horizontal and 15° with respect to the perpendicular direction of the longitudinal axis considered when inclining the plane to 45°. The vehicle shall be placed along the longitudinal axis of the plane.

Place a test ball comprising a sphere with a hard smooth surface of diameter 120 mm (± 2 mm) and 5 kg (± 0.1 kg) weight on the centre of the junction

of the seat and backrest of the vehicle and let the ball roll freely. Record whether the test ball falls out of the seat unit.

Repeat the procedure but with an inclination of the plane of 15° to the opposite side of the longitudinal axis.

Repeat the procedure without inclining the plane at 15° but simply reclined at 45° .

”.

(2) In clause 8.6.2(b) —

(a) delete “the following shall also apply:” and insert —

“

the head barrier must either comply with both Items (i) and (ii), or comply with Item (iii).

”;

(b) after Item (ii) insert —

“

(iii) When tested in accordance with the following procedures, if the small torso probe passes through the gap between the handle and the pram/stroller body, the large head probe shall also pass through.

The probes used in this test are made of hard smooth material fitted with suitable handgrips, comprising —

- a small torso probe with dimensions as shown in Figure A below —

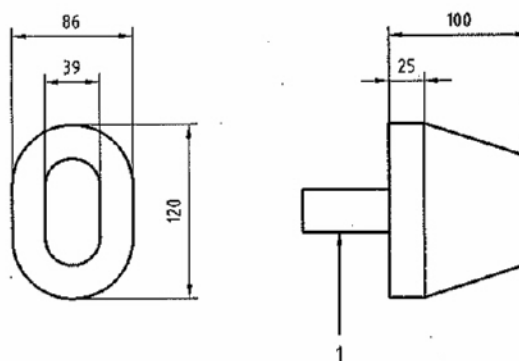


Figure A

Notes to figure A:

- Dimensions are in mm;
- 1 is the handgrip; and
- a large head probe in the shape of a cylinder of diameter 223 mm and length 100 mm, with a handgrip fitted to an end of the cylinder.

These probes have dimensional tolerances of ± 2 mm.

Check whether the small torso probe can pass through the gap between the handle and the end of the pram/stroller body applying a force of 90 N.

Check if the large head probe passes through the opening when pushed along the axis of the handgrip, with a force not exceeding 5 N.

”.

9. Clause 11.1

In clause 11.1 after paragraph (e) insert —

“

(f) A notice placed on the tether strap, as follows:

WARNING: USE THIS STRAP TO STOP THE PRAM/STROLLER* ROLLING AWAY.

”.

10. Clause 11.2

Delete clause 11.2 and insert instead —

“

11.2 Legibility of marking

The wording shall be clearly legible and the marking specified in clauses 11.1(c), (d), (e) and (f) shall be in characters not less than 2.5 mm high.

”.

”.

By Command of the Lieutenant-Governor and deputy of the Governor,

G. M. PIKE, Clerk of the Executive Council.
